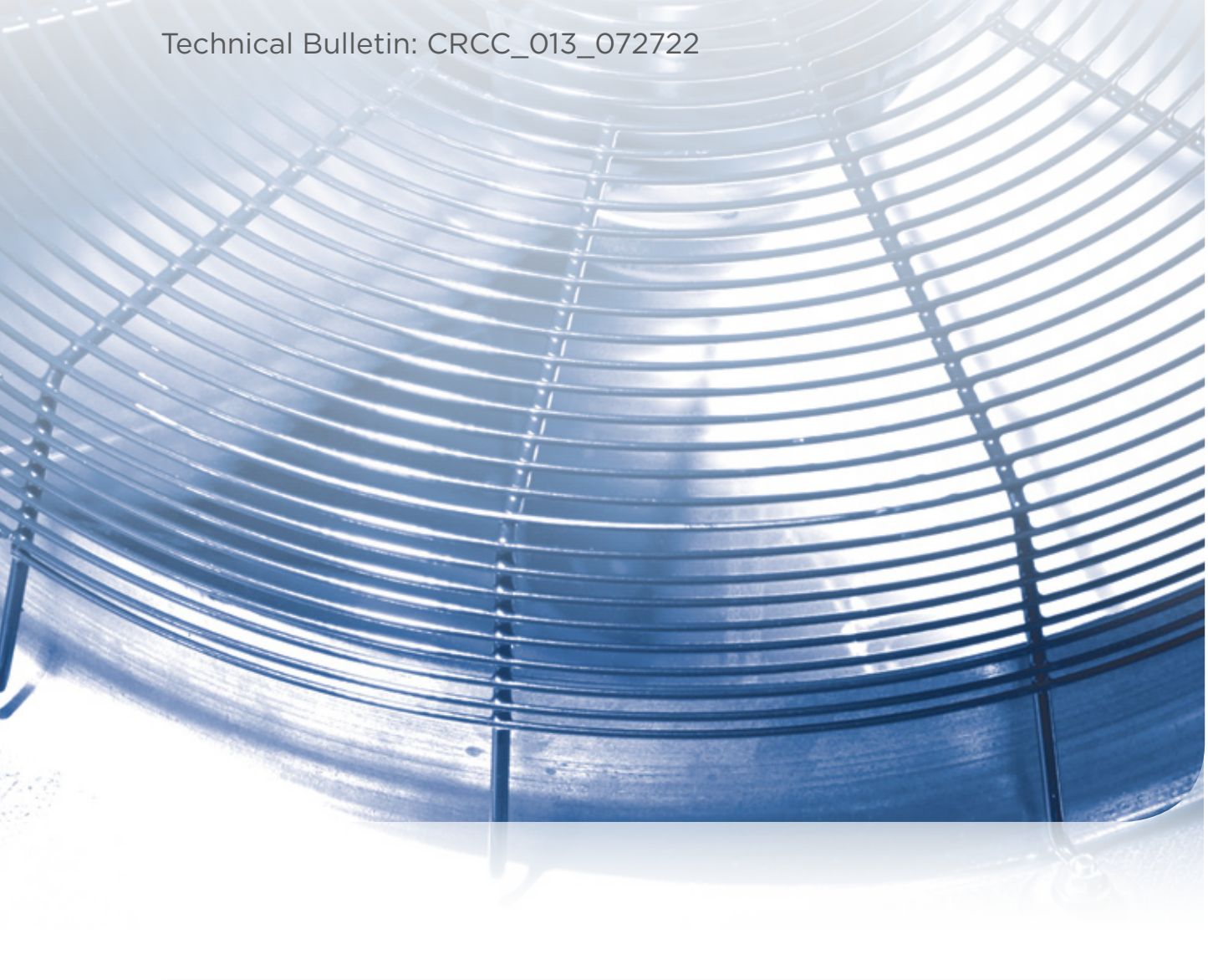




DOE / NRCAN Model information Inside

Commercial Refrigeration Condensed Product Catalog

Technical Bulletin: CRCC_013_072722



Products that provide lasting solutions.



DOE / NRCan -

Indicates evaporators and condensing units that have AWEF ratings published which meet the efficiency requirements of the US Department of Energy and Natural Resources Canada regulations. These specific regulations are for evaporators and condensing units manufactured after July 10th, 2020, applied in refrigerated spaces 3000 square feet or less, and held at 55° F or colder.

*Hussmann / Krack will ship DOE / NRCan compliant evaporators and condensing units for covered applications to meet and adhere with government labeling requirements. **Please note that compliance is at the time of manufacture and responsibility of the OEM.***

The DOE / NRCan compliant evaporators will utilize dual speed or variable speed motors. Controls for these options may be factory installed or field supplied.

Both the dual speed and variable speed motors have default prevention programming. In the event of a control loss input (OV), the motors will run at full speed.



The High Efficiency H-Series condensing units are accredited with UL's Energy Efficiency Certification.

Commercial Condensed Product Catalog

Table of Contents

	2		LH Series Unit Coolers
	5		GH/GL Series Unit Coolers
	11		KR Series Unit Coolers
	15		MK/MV Series Unit Coolers
	21		MS Series Unit Coolers
	24		SM/SV Series Unit Coolers
	29		DOE Evaporator Summary Matrixes
	31		Levitor II Series Air-Cooled Condenser
	44		Fluid Cooler Series
	47		Microchannel Air-Cooled Condenser
	51		Microchannel Air-Cooled Condenser Control Panel Nomenclature
	52		H-Series Legacy Condensing Units
	55		High Efficiency (HE) H-Series Condensing Units
	58		Large Air-Cooled Condensing Units
	62		Parallel Rack Compressor Systems
	63		Protocol Refrigeration Systems
	64		Proto-Aire EZ Refrigeration Systems

LH Series Unit Coolers - Dual Discharge-Low Hite Series

Standard Features

Dual Discharge Center Mount - Low Height

At 9-1/4" maximum height, the LH Series is perfect for low clearance walk-in applications in convenience stores, restaurants, food service or other applications held at -20° F or warmer.

- Center mounted models are flush mounted to the ceiling to not interfere with shelving.
- Two-way air discharge provides smooth air movement keeps product fresh longer with less product shrink.
- Standard EC motors are two speed 1/15 horsepower and multi-voltage operating on 100-240/1/50-60 power.
- Coil constructed of heavy-wall copper tube and rippled full collar aluminum fins.
- Optimized circuiting for HFC and HFO refrigerants.
- Sealed and pressurized from the factory.
- Factory-wired fans and defrost controls to convenient terminal strips for field connections.
- Plug in motor leads for quick positive connection to wiring harness.

LH	D	2	6	E	-	129	T	D	A	A
-----------	----------	----------	----------	----------	----------	------------	----------	----------	----------	----------

Unit Type
LH - Low Height

DOE Application
D - DOE and NRCan
A - Non-Regulated

Number of Fans
4, 6 FPI

Fin Spacing
4, 6 FPI

Type of Defrost
A - Air Defrost
E - Electric Defrost with Electric Pan Heat

Heater Voltage
A - 208-230/1/60

Motor Voltage
A - 208-230/1/60
B - 115/1/60

Motor Type
D - Dual Speed EC
V - Variable Speed EC
B - PSC Motors *

Refrigerant
N - Stock Unit ** G - Stock Unit ***
S - R-404A Q - R-407A T - R-448A
P - R-507A F - R-407F R - R-449A
B - Glycol / Brine C - CO₂

BTU/H in Hundreds (00)



* PSC motors are not allowed in USA or Canada for any evaporator solution.
DOE / NRCan applications will require Dual Speed or Variable Speed fans.
** 'N' Stock Units are for non-glide or glide refrigerants (consult I/O manual for complete refrigerant listing).
*** 'G' Stock Units are for glide refrigerants only (consult I/O manual for complete refrigerant listing).



Use your QR reader to reference current document version on www.krack.com.

Key Point -

Krack evaporator capacities shown are with **midpoint** evaporating temperature to offer a consistent capacity for selection when using different refrigerants and match other Krack and Hussmann equipment.

LH Series Unit Coolers - Dual Discharge-Low Hite Series

Air and Electric Defrost Specifications

AIR DEFROST

MODEL	COOLER AWEF BY REFRIGERANT and MOTOR				CAPACITY (BTU/H) @ 10° F TD +25° F EVAP	AIR FLOW (CFM)	REFRIGERATION CONNECTIONS		REF CHARGE (LBS)	DIMENSIONS (IN)			SHIP WGT (LBS)
	[G] STOCK UNIT**, [Q] R-407A, [F] R-407F, [T] R-448A, [R] R-449A		[N] STOCK UNIT***, [S] R-404A, [P] R-507A				LIQ	SUCT		L	W	H	
	{D}ual Speed	{V}variable Speed	{D}ual Speed	{V}variable Speed									
LH*16A-047[] { }	9.00	9.00	N/A	9.00	4,700	650	1/2"	7/8"	2	32.88	26.06	9.25	42
LH*26A-094[] { }	9.00	9.00	N/A	9.00	9,400	1,300	1/2"	7/8"	3	54.88	26.06	9.25	70
LH*36A-140[] { }	9.00	9.00	N/A	9.00	14,000	1,950	1/2"	7/8"	4	76.88	26.06	9.25	123
LH*46A-187[] { }	9.00	9.00	N/A	9.00	18,700	2,600	1/2"	1-1/8"	5	98.88	26.06	9.25	164
LH*14A-036[] { }	9.00	9.00	N/A	9.00	3,600	680	1/2"	7/8"	2	32.88	26.06	9.25	38
LH*24A-073[] { }	9.00	9.00	N/A	9.00	7,300	1,370	1/2"	7/8"	3	54.88	26.06	9.25	64
LH*34A-109[] { }	9.00	9.00	N/A	9.00	10,900	2,050	1/2"	7/8"	4	76.88	26.06	9.25	105
LH*44A-145[] { }	9.00	9.00	N/A	9.00	14,500	2,730	1/2"	1-1/8"	5	98.88	26.06	9.25	146

ELECTRIC DEFROST

MODEL	AWEF BY REFRIGERANT, MOTOR, and APPLICATION								CAPACITY (BTU/H) @ 10° F TD -20° F EVAP	CAPACITY (BTU/H) @ 10° F TD +20° F EVAP	AIR FLOW (CFM)	REFRIGERATION CONNECTIONS		REF CHARGE (LBS)	DIMENSIONS (IN)			SHIP WGT (LBS)
	[G] STOCK UNIT**, [Q] R-407A, [F] R-407F, [T] R-448A, [R] R-449A				[N] STOCK UNIT***, [S] R-404A, [P] R-507A							LIQ	SUCT		L	W	H	
	{D}ual Speed		{V}variable Speed		{D}ual Speed		{V}variable Speed											
	Freezer	Cooler	Freezer	Cooler	Freezer	Cooler	Freezer	Cooler										
LH*16E-043[] { }	4.15	9.00	4.15	9.00	N/A	N/A	4.15	9.00	4,300	4,700	650	1/2"	7/8"	2	32.88	26.06	9.25	44
LH*26E-086[] { }	4.15	9.00	4.15	9.00	N/A	N/A	4.15	9.00	8,600	9,400	1,300	1/2"	1-1/8"	3	54.88	26.06	9.25	73
LH*36E-129[] { }	4.15	9.00	4.15	9.00	N/A	N/A	4.15	9.00	12,900	14,000	1,950	1/2"	1-1/8"	4	76.88	26.06	9.25	127
LH*46E-171[] { }	4.15	9.00	4.15	9.00	N/A	N/A	4.15	9.00	17,100	18,700	2,600	1/2"	1-1/8"	5	98.88	26.06	9.25	169
LH*14E-033[] { }	4.15	9.00	4.15	9.00	N/A	N/A	4.15	9.00	3,300	3,600	680	1/2"	7/8"	2	32.88	26.06	9.25	40
LH*24E-067[] { }	4.15	9.00	4.15	9.00	N/A	N/A	4.15	9.00	6,700	7,300	1,370	1/2"	1-1/8"	3	54.88	26.06	9.25	67
LH*34E-100[] { }	4.15	9.00	4.15	9.00	N/A	N/A	4.15	9.00	10,000	10,900	2,050	1/2"	1-1/8"	4	76.88	26.06	9.25	109
LH*44E-132[] { }	N/A	N/A	4.15	9.00	N/A	N/A	4.15	9.00	13,200	14,500	2,730	1/2"	1-1/8"	5	98.88	26.06	9.25	150

* For motor code and refrigerant, use "D" when AWEF rating is shown and "A" for non-regulated applications or where AWEF is N/A.

[] Location for the refrigerant letter code.

{ } Include motor code as either "D" for Dual Speed or "V" for Variable Speed EC motor to be used.

** G Stock Units are for glide refrigerants only (consult I/O manual for complete refrigerant listing).

*** N Stock Units are for non-glide or glide refrigerants (consult I/O manual for complete refrigerant listing).

EXAMPLE FULL MODEL:

LHD16A-047DVA is DOE / NRCan with R-407A, Variable Speed EC motor and includes the additional letter A for 208 V single phase fan power.

LHA36E-129SDAA is for non-regulated application with R-404A, Dual Speed EC motor and includes the additional letters AA for 208 V single phase fan and defrost power.

Key Point -

Krack evaporator capacities shown are with **midpoint** evaporating temperature to offer a consistent capacity for selection when using different refrigerants and match other Krack and Hussmann equipment.

Dual Speed fan motors use a voltage input from the incoming fan power to a third connection on the motor to trigger low speed operation. Variable Speed EC need a 0-10 V signal with 10 V as minimum speed operation. Both motor types operate as a single speed EC motor without a control signal.

LH Series Unit Coolers - Dual Discharge-Low Hite Series

Air and Electric Defrost Specifications - CO₂ Refrigerant

AIR DEFROST - CO₂

MODEL	AWEF By Refrigerant, Motor and Application		CAPACITY (BTU/H) @ 10° F TD +25° F EVAP	AIR FLOW (CFM)	REFRIGERATION CONNECTIONS		REF CHARGE (LBS)	DIMENSIONS (IN)			SHIP WGT (LBS)
	C - CO ₂				LIQ	SUCT		L	W	H	
	{D}ual Speed	{V}ariable Speed									
LH*16A-047C{ }	N/A	9.00	4,700	650	1/2"	7/8"	1.6	32.88	26.06	9.25	42
LH*26A-094C{ }	N/A	9.00	9,400	1,300	1/2"	7/8"	2.4	54.88	26.06	9.25	70
LH*36A-140C{ }	N/A	9.00	14,000	1,950	1/2"	7/8"	3.2	76.88	26.06	9.25	123
LH*46A-187C{ }	N/A	9.00	18,700	2,600	1/2"	1-1/8"	4.0	98.88	26.06	9.25	164
LH*14A-036C{ }	N/A	9.00	3,600	680	1/2"	7/8"	1.6	32.88	26.06	9.25	38
LH*24A-073C{ }	N/A	9.00	7,300	1,370	1/2"	7/8"	2.4	54.88	26.06	9.25	64
LH*34A-109C{ }	N/A	9.00	10,900	2,050	1/2"	7/8"	3.2	76.88	26.06	9.25	105
LH*44A-145C{ }	N/A	9.00	14,500	2,730	1/2"	1-1/8"	4.0	98.88	26.06	9.25	146

ELECTRIC DEFROST - CO₂

MODEL	AWEF By Refrigerant, Motor and Application				CAPACITY (BTU/H) @ 10° F TD -20° F EVAP	CAPACITY (BTU/H) @ 10° F TD +20° F EVAP	AIR FLOW (CFM)	REFRIGERATION CONNECTIONS		REF CHARGE (LBS)	DIMENSIONS (IN)			SHIP WGT (LBS)
	C - CO ₂							LIQ	SUCT		L	W	H	
	{D}ual Speed		{V}ariable Speed											
	Freezer	Cooler	Freezer	Cooler										
LH*16E-043C{ }	4.15	9.00	4.15	9.00	4,300	4,700	650	1/2"	7/8"	1.6	32.88	26.06	9.25	44
LH*26E-086C{ }	4.15	9.00	4.15	9.00	8,600	9,400	1,300	1/2"	1-1/8"	2.4	54.88	26.06	9.25	73
LH*36E-129C{ }	4.15	9.00	4.15	9.00	12,900	14,000	1,950	1/2"	1-1/8"	3.2	76.88	26.06	9.25	127
LH*46E-171C{ }	4.15	9.00	4.15	9.00	17,100	18,700	2,600	1/2"	1-1/8"	4.0	98.88	26.06	9.25	169
LH*14E-033C{ }	4.15	9.00	4.15	9.00	3,300	3,600	680	1/2"	7/8"	1.6	32.88	26.06	9.25	40
LH*24E-067C{ }	4.15	9.00	4.15	9.00	6,700	7,300	1,370	1/2"	1-1/8"	2.4	54.88	26.06	9.25	67
LH*34E-100C{ }	4.15	9.00	4.15	9.00	10,000	10,900	2,050	1/2"	1-1/8"	3.2	76.88	26.06	9.25	109
LH*44E-132C{ }	N/A	N/A	4.15	9.00	13,200	14,500	2,730	1/2"	1-1/8"	4.0	98.88	26.06	9.25	150

* For motor code and refrigerant, use "D" when AWEF rating is shown and "A" for non-regulated applications or where AWEF is NA.

{ } Include motor code as either "D" for Dual Speed or "V" for Variable Speed EC motor to be used.

EXAMPLE FULL MODEL:

LHD16A-047CVA is DOE / NRCan with CO₂, Variable Speed EC motor and includes the additional letter A for 208 V single phase fan power.

LHA36E-129CDA is for non-regulated application with CO₂, Dual Speed EC motor and includes the additional letters AA for 208 V single phase fan and defrost power.

Air and Electric Key Point -

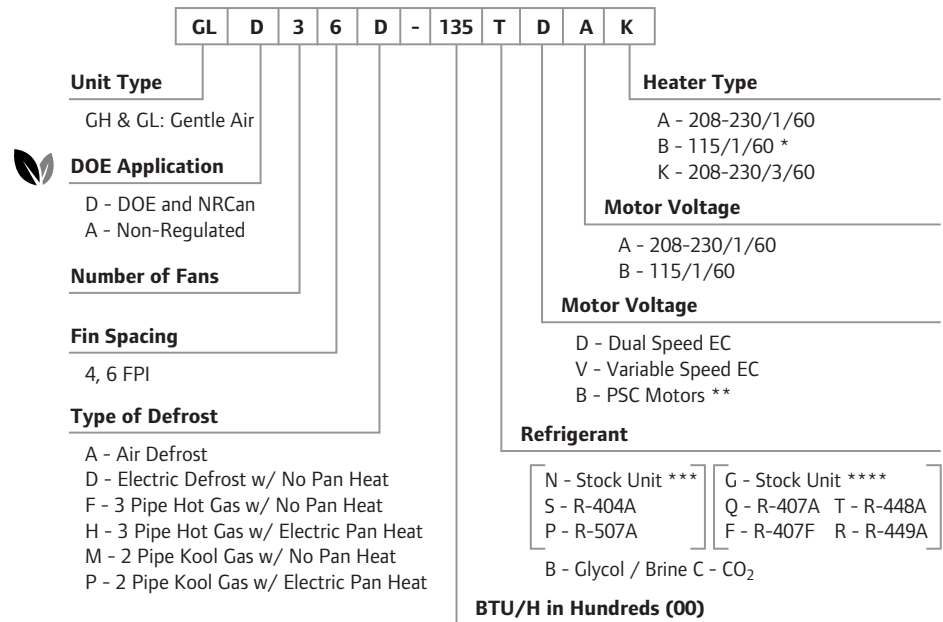
Krack evaporator capacities shown are with **midpoint** evaporating temperature to offer a consistent capacity for selection when using different refrigerants and match other Krack and Hussmann equipment.

GH/GL Series Unit Coolers

Standard Features

Ideal for keeping produce fresh by providing low velocity air distribution to both sides of system. Quiet operation provides a comfortable environment for employees.

- Low and high silhouette center mounted models will not interfere with shelving.
- Two-way air discharge provides smooth air movement, creating a low velocity “umbrella” style air distribution.
- Sound levels range from 53 dbA for a one fan to 60 dbA for a six-fan model measured six feet horizontally from the center of the unit.
- Standard EC motors are two speed 1/15 horsepower and multi-voltage operating on 100-240/1/50-60 power.
- Coil constructed of heavy-wall copper tube and rippled full collar aluminum fins.
- Optimized circuiting for HFC and HFO refrigerants.
- Sealed and pressurized from the factory.
- Factory-wired fans and defrost controls to convenient terminal strips for field connections.
- Plug in motor leads for quick positive connection to wiring harness.



* Available on pan heaters for “H” and “P” defrost options only.

** PSC motors are not allowed in USA or Canada for any evaporator solution.

*** ‘N’ Stock Units are for non-glide or glide refrigerants (consult I/O manual for complete refrigerant listing).

**** ‘G’ Stock Units are for glide refrigerants only (consult I/O manual for complete refrigerant listing).



Use your QR reader to reference current document version on www.krack.com.

GH/GL Series Unit Coolers

Air Defrost Specifications

GENTLE AIR - 18" HIGH SILHOUETTE - MEDIUM TEMPERATURE

MODEL	COOLER AWEF BY REFRIGERANT and MOTOR				CAPACITY (BTU/H) @ 10° F TD +25° F EVAP	AIR FLOW (CFM)	REFRIGERATION CONNECTIONS		REF CHARGE (LBS)	DIMENSIONS (IN)			SHIP WGT (LBS)
	[G] STOCK UNIT**, [Q] R-407A, [F] R-407F, [T] R-448A, [R] R-449A		[N] STOCK UNIT***, [S] R-404A, [P] R-507A				LIQ	SUCT		L	W	H	
	{D}ual Speed	{V}ariable Speed	{D}ual Speed	{V}ariable Speed									
GH*16A-060[] { }	9.00	9.00	9.00	9.00	6,000	900	1/2"	7/8"	3	31.75	28.75	18.25	130
GH*26A-130[] { }	9.00	9.00	9.00	9.00	13,000	1,800	1/2"	7/8"	4	49.75	28.75	18.25	180
GH*36A-198[] { }	9.00	9.00	9.00	9.00	19,800	2,700	1/2"	1-1/8"	6	67.75	28.75	18.25	240
GH*46A-270[] { }	9.00	9.00	9.00	9.00	27,000	3,600	1/2"	1-1/8"	8	85.75	28.75	18.25	320
GH*56A-340[] { }	9.00	9.00	9.00	9.00	34,000	4,500	1/2"	1-3/8"	9	103.75	28.75	18.25	370
GH*66A-410[] { }	9.00	9.00	9.00	9.00	41,000	5,400	1/2"	1-3/8"	11	121.75	28.75	18.25	420
GH*14A-050[] { }	9.00	9.00	9.00	9.00	5,000	940	1/2"	7/8"	3	31.75	28.75	18.25	120
GH*24A-100[] { }	9.00	9.00	9.00	9.00	10,000	1,880	1/2"	7/8"	4	49.75	28.75	18.25	170
GH*34A-150[] { }	9.00	9.00	9.00	9.00	15,000	2,820	1/2"	1-1/8"	6	67.75	28.75	18.25	230
GH*44A-200[] { }	9.00	9.00	9.00	9.00	20,000	3,760	1/2"	1-1/8"	8	85.75	28.75	18.25	310
GH*54A-250[] { }	9.00	9.00	9.00	9.00	25,000	4,700	1/2"	1-3/8"	9	103.75	28.75	18.25	360
GH*64A-300[] { }	9.00	9.00	9.00	9.00	30,000	5,640	1/2"	1-3/8"	11	121.75	28.75	18.25	410

GENTLE AIR - 12" LOW SILHOUETTE - MEDIUM TEMPERATURE

MODEL	COOLER AWEF BY REFRIGERANT and MOTOR				CAPACITY (BTU/H) @ 10° F TD +25° F EVAP	AIR FLOW (CFM)	REFRIGERATION CONNECTIONS		REF CHARGE (LBS)	DIMENSIONS (IN)			SHIP WGT (LBS)
	[G] STOCK UNIT**, [Q] R-407A, [F] R-407F, [T] R-448A, [R] R-449A		[N] STOCK UNIT***, [S] R-404A, [P] R-507A				LIQ	SUCT		L	W	H	
	{D}ual Speed	{V}ariable Speed	{D}ual Speed	{V}ariable Speed									
GL*16A-045[] { }	9.00	9.00	9.00	9.00	4,500	600	1/2"	5/8"	2	31.75	28.75	12.25	100
GL*26A-090[] { }	9.00	9.00	9.00	9.00	9,000	1,200	1/2"	7/8"	3	49.75	28.75	12.25	140
GL*36A-135[] { }	9.00	9.00	9.00	9.00	13,500	1,800	1/2"	1-1/8"	4	67.75	28.75	12.25	190
GL*46A-180[] { }	9.00	9.00	9.00	9.00	18,000	2,400	1/2"	1-1/8"	5	85.75	28.75	12.25	250
GL*56A-225[] { }	9.00	9.00	N/A	9.00	22,500	3,000	1/2"	1-1/8"	5	103.75	28.75	12.25	290
GL*66A-268[] { }	9.00	9.00	9.00	9.00	26,800	3,600	1/2"	1-1/8"	6	121.75	28.75	12.25	340
GL*14A-035[] { }	9.00	9.00	N/A	9.00	3,500	630	1/2"	5/8"	2	31.75	28.75	12.25	90
GL*24A-070[] { }	9.00	9.00	9.00	9.00	7,000	1,260	1/2"	7/8"	3	49.75	28.75	12.25	130
GL*34A-105[] { }	9.00	9.00	9.00	9.00	10,500	1,890	1/2"	1-1/8"	4	67.75	28.75	12.25	180
GL*44A-140[] { }	9.00	9.00	9.00	9.00	14,000	2,520	1/2"	1-1/8"	5	85.75	28.75	12.25	240
GL*54A-175[] { }	9.00	9.00	9.00	9.00	17,500	3,150	1/2"	1-1/8"	5	103.75	28.75	12.25	280
GL*64A-210[] { }	9.00	9.00	9.00	9.00	21,000	3,780	1/2"	1-1/8"	6	121.75	28.75	12.25	330

* All air defrost are DOE / NRCan compliant when applied with "D" Dual Speed or "V" Variable Speed EC motor codes and refrigerants shown above.

[] Location for the refrigerant letter code.

{ } Include motor code as either "D" for Dual Speed or "V" for Variable Speed EC motor to be used.

** G Stock Units are for glide refrigerants only (consult I/O manual for complete refrigerant listing).

*** N Stock Units are for non-glide or glide refrigerants (consult I/O manual for complete refrigerant listing).

EXAMPLE FULL MODEL:

GH034A-150TDA is DOE / NRCan with R-404A, Dual Speed EC motor and includes the additional letter A for 208 V single phase.

Air and Electric Key Point -

Krack evaporator capacities shown are with **midpoint** evaporating temperature to offer a consistent capacity for selection when using different refrigerants and match other Krack and Hussmann equipment.

GH/GL Series Unit Coolers

Electric Defrost Specifications

GENTLE AIR - 18" HIGH SILHOUETTE - MEDIUM TEMPERATURE

MODEL	COOLER AWEF BY REFRIGERANT and MOTOR				CAPACITY (BTU/H) @ 10° F TD +25° F EVAP	AIR FLOW (CFM)	REFRIGERATION CONNECTIONS		REF CHARGE (LBS)	DIMENSIONS (IN)			SHIP WGT (LBS)
	[G] STOCK UNIT**, [Q] R-407A, [F] R-407F, [T] R-448A, [R] R-449A		[N] STOCK UNIT***, [S] R-404A, [P] R-507A				LIQ	SUCT		L	W	H	
	{D}ual Speed	{V}variable Speed	{D}ual Speed	{V}variable Speed									
GH*16D-060[]{ }	9.00	9.00	9.00	9.00	6,000	900	1/2"	7/8"	3	31.75	28.75	18.25	130
GH*26D-130[]{ }	9.00	9.00	9.00	9.00	13,000	1,800	1/2"	7/8"	4	49.75	28.75	18.25	180
GH*36D-198[]{ }	9.00	9.00	9.00	9.00	19,800	2,700	1/2"	1-1/8"	6	67.75	28.75	18.25	240
GH*46D-270[]{ }	9.00	9.00	9.00	9.00	27,000	3,600	1/2"	1-1/8"	8	85.75	28.75	18.25	320
GH*56D-340[]{ }	9.00	9.00	9.00	9.00	34,000	4,500	1/2"	1-3/8"	9	103.75	28.75	18.25	370
GH*66D-410[]{ }	9.00	9.00	9.00	9.00	41,000	5,400	1/2"	1-3/8"	11	121.75	28.75	18.25	420
GH*14D-050[]{ }	9.00	9.00	9.00	9.00	5,000	940	1/2"	7/8"	3	31.75	28.75	18.25	120
GH*24D-100[]{ }	9.00	9.00	9.00	9.00	10,000	1,880	1/2"	7/8"	4	49.75	28.75	18.25	170
GH*34D-150[]{ }	9.00	9.00	9.00	9.00	15,000	2,820	1/2"	1-1/8"	6	67.75	28.75	18.25	230
GH*44D-200[]{ }	9.00	9.00	9.00	9.00	20,000	3,760	1/2"	1-1/8"	8	85.75	28.75	18.25	310
GH*54D-250[]{ }	9.00	9.00	9.00	9.00	25,000	4,700	1/2"	1-3/8"	9	103.75	28.75	18.25	360
GH*64D-300[]{ }	9.00	9.00	9.00	9.00	30,000	5,640	1/2"	1-3/8"	11	121.75	28.75	18.25	410

GENTLE AIR - 12" LOW SILHOUETTE - MEDIUM TEMPERATURE

MODEL	COOLER AWEF BY REFRIGERANT and MOTOR				CAPACITY (BTU/H) @ 10° F TD +25° F EVAP	AIR FLOW (CFM)	REFRIGERATION CONNECTIONS		REF CHARGE (LBS)	DIMENSIONS (IN)			SHIP WGT (LBS)
	[G] STOCK UNIT**, [Q] R-407A, [F] R-407F, [T] R-448A, [R] R-449A		[N] STOCK UNIT***, [S] R-404A, [P] R-507A				LIQ	SUCT		L	W	H	
	{D}ual Speed	{V}variable Speed	{D}ual Speed	{V}variable Speed									
GL*16D-045[]{ }	9.00	9.00	9.00	9.00	4,500	600	1/2"	5/8"	2	31.75	28.75	12.25	100
GL*26D-090[]{ }	9.00	9.00	9.00	9.00	9,000	1,200	1/2"	7/8"	3	49.75	28.75	12.25	140
GL*36D-135[]{ }	9.00	9.00	9.00	9.00	13,500	1,800	1/2"	1-1/8"	4	67.75	28.75	12.25	190
GL*46D-180[]{ }	9.00	9.00	9.00	9.00	18,000	2,400	1/2"	1-1/8"	5	85.75	28.75	12.25	250
GL*56D-225[]{ }	9.00	9.00	N/A	9.00	22,500	3,000	1/2"	1-1/8"	5	103.75	28.75	12.25	290
GL*66D-268[]{ }	9.00	9.00	9.00	9.00	26,800	3,600	1/2"	1-1/8"	6	121.75	28.75	12.25	340
GL*14D-035[]{ }	9.00	9.00	N/A	9.00	3,500	630	1/2"	5/8"	2	31.75	28.75	12.25	90
GL*24D-070[]{ }	9.00	9.00	9.00	9.00	7,000	1,260	1/2"	7/8"	3	49.75	28.75	12.25	130
GL*34D-105[]{ }	9.00	9.00	9.00	9.00	10,500	1,890	1/2"	1-1/8"	4	67.75	28.75	12.25	180
GL*44D-140[]{ }	9.00	9.00	9.00	9.00	14,000	2,520	1/2"	1-1/8"	5	85.75	28.75	12.25	240
GL*54D-175[]{ }	9.00	9.00	9.00	9.00	17,500	3,150	1/2"	1-1/8"	5	103.75	28.75	12.25	280
GL*64D-210[]{ }	9.00	9.00	9.00	9.00	21,000	3,780	1/2"	1-1/8"	6	121.75	28.75	12.25	330

* All electric defrost are DOE / NRCan compliant when applied with "D" Dual Speed or "V" Variable Speed EC motor codes and refrigerants shown above.

[] Location for the refrigerant letter code.

{ } Include motor code as either "D" for Dual Speed or "V" for Variable Speed EC motor to be used.

** G Stock Units are for glide refrigerants only (consult I/O manual for complete refrigerant listing).

*** N Stock Units are for non-glide or glide refrigerants (consult I/O manual for complete refrigerant listing).

EXAMPLE FULL MODEL:

GHD34D-105TDAA is DOE / NRCan with R-448A, Dual Speed EC motor and includes the additional letter A for 208 V single phase fan power and K for 208/3/60 defrost.



Krack evaporator capacities shown are with **midpoint** evaporating temperature to offer a consistent capacity for selection when using different refrigerants and match other Krack and Hussmann equipment.

GH/GL Series Unit Coolers

Hot Gas Defrost Specifications

GAS - 18" HIGH SILHOUETTE - MEDIUM TEMPERATURE

MODEL	COOLER AWEF BY REFRIGERANT and MOTOR				CAPACITY (BTU/H) @ 10° F TD +25° F EVAP	AIR FLOW (CFM)	REFRIGERATION CONNECTIONS		REF CHARGE (LBS)	DIMENSIONS (IN)			SHIP WGT (LBS)
	[G] STOCK UNIT**, [Q] R-407A, [F] R-407F, [T] R-448A, [R] R-449A		[N] STOCK UNIT***, [S] R-404A, [P] R-507A				LIQ	SUCT		L	W	H	
	{D}ual Speed	{V}ariable Speed	{D}ual Speed	{V}ariable Speed									
GH*16(-)-060 [] { }	9.00	9.00	9.00	9.00	6,000	900	1/2"	7/8"	3	31.75	28.75	18.25	130
GH*26(-)-130 [] { }	9.00	9.00	9.00	9.00	13,000	1,800	1/2"	7/8"	4	49.75	28.75	18.25	180
GH*36(-)-198 [] { }	9.00	9.00	9.00	9.00	19,800	2,700	1/2"	1-1/8"	6	67.75	28.75	18.25	240
GH*46(-)-270 [] { }	9.00	9.00	9.00	9.00	27,000	3,600	1/2"	1-1/8"	8	85.75	28.75	18.25	320
GH*56(-)-340 [] { }	9.00	9.00	9.00	9.00	34,000	4,500	1/2"	1-3/8"	9	103.75	28.75	18.25	370
GH*66(-)-410 [] { }	9.00	9.00	9.00	9.00	41,000	5,400	1/2"	1-3/8"	11	121.75	28.75	18.25	420
GH*14(-)-050 [] { }	9.00	9.00	9.00	9.00	5,000	940	1/2"	7/8"	3	31.75	28.75	18.25	120
GH*24(-)-100 [] { }	9.00	9.00	9.00	9.00	10,000	1,880	1/2"	7/8"	4	49.75	28.75	18.25	170
GH*34(-)-150 [] { }	9.00	9.00	9.00	9.00	15,000	2,820	1/2"	1-1/8"	6	67.75	28.75	18.25	230
GH*44(-)-200 [] { }	9.00	9.00	9.00	9.00	20,000	3,760	1/2"	1-1/8"	8	85.75	28.75	18.25	310
GH*54(-)-250 [] { }	9.00	9.00	9.00	9.00	25,000	4,700	1/2"	1-3/8"	9	103.75	28.75	18.25	360
GH*64(-)-300 [] { }	9.00	9.00	9.00	9.00	30,000	5,640	1/2"	1-3/8"	11	121.75	28.75	18.25	410

GAS - 12" LOW SILHOUETTE - MEDIUM TEMPERATURE

MODEL	COOLER AWEF BY REFRIGERANT and MOTOR				CAPACITY (BTU/H) @ 10° F TD +25° F EVAP	AIR FLOW (CFM)	REFRIGERATION CONNECTIONS		REF CHARGE (LBS)	DIMENSIONS (IN)			SHIP WGT (LBS)
	[G] STOCK UNIT**, [Q] R-407A, [F] R-407F, [T] R-448A, [R] R-449A		[N] STOCK UNIT***, [S] R-404A, [P] R-507A				LIQ	SUCT		L	W	H	
	{D}ual Speed	{V}ariable Speed	{D}ual Speed	{V}ariable Speed									
GL*16(-)-045 [] { }	9.00	9.00	9.00	9.00	4,500	600	1/2"	5/8"	2	31.75	28.75	12.25	100
GL*26(-)-090 [] { }	9.00	9.00	9.00	9.00	9,000	1,200	1/2"	7/8"	3	49.75	28.75	12.25	140
GL*36(-)-135 [] { }	9.00	9.00	9.00	9.00	13,500	1,800	1/2"	1-1/8"	4	67.75	28.75	12.25	190
GL*46(-)-180 [] { }	9.00	9.00	9.00	9.00	18,000	2,400	1/2"	1-1/8"	5	85.75	28.75	12.25	250
GL*56(-)-225 [] { }	9.00	9.00	N/A	9.00	22,500	3,000	1/2"	1-1/8"	5	103.75	28.75	12.25	290
GL*66(-)-268 [] { }	9.00	9.00	9.00	9.00	26,800	3,600	1/2"	1-1/8"	6	121.75	28.75	12.25	340
GL*14(-)-035 [] { }	9.00	9.00	N/A	9.00	3,500	630	1/2"	5/8"	2	31.75	28.75	12.25	90
GL*24(-)-070 [] { }	9.00	9.00	9.00	9.00	7,000	1,260	1/2"	7/8"	3	49.75	28.75	12.25	130
GL*34(-)-105 [] { }	9.00	9.00	9.00	9.00	10,500	1,890	1/2"	1-1/8"	4	67.75	28.75	12.25	180
GL*44(-)-140 [] { }	9.00	9.00	9.00	9.00	14,000	2,520	1/2"	1-1/8"	5	85.75	28.75	12.25	240
GL*54(-)-175 [] { }	9.00	9.00	9.00	9.00	17,500	3,150	1/2"	1-1/8"	5	103.75	28.75	12.25	280
GL*64(-)-210 [] { }	9.00	9.00	9.00	9.00	21,000	3,780	1/2"	1-1/8"	6	121.75	28.75	12.25	330

* All gas defrost are DOE / NRC compliant when applied with "D" Dual Speed or "V" Variable Speed EC motor codes and refrigerants shown.

[] Gas defrost type.

{ } Location for refrigerant letter code.

** G Stock Units are for glide refrigerants only (consult I/O manual for complete refrigerant listing).

*** N Stock Units are for non-glide or glide refrigerants (consult I/O manual for complete refrigerant listing).

EXAMPLE FULL MODEL:

GHD34M-150TDA is DOE / NRC compliant with R-448A, Dual Speed EC motor and includes the additional letter A for 208 V single phase fan power.

Available Gas Defrost Types

(H) - HGE 3 Pipe Hot Gas with Electric Pan Heat

No defrost termination or fan delay, +20° F or warmer room temperature.

(F) - HG 3 Pipe Hot Gas with No Pan Heat,

No defrost termination or fan delay, +32° F or warmer room temperature.

(P) - KGE 2 Pipe Kool Gas with Electric Pan Heat,

+20° F or warmer room temperature.

(M) - KG 2 Pipe Kool Gas with No Pan Heat,

+32° F or warmer room temperature

Key Point -

Krack evaporator capacities shown are with **midpoint** evaporating temperature to offer a consistent capacity for selection when using different refrigerants and match other Krack and Hussmann equipment.

GH/GL Series Unit Coolers

Air Defrost Specifications - CO₂ Refrigerant

GENTLE AIR - 18" HIGH SILHOUETTE - MEDIUM TEMPERATURE - CO₂

MODEL	Cooler AWEF By Refrigerant and Motor		CAPACITY (BTU/H) @ 10° F TD +25° F EVAP	AIR FLOW (CFM)	REFRIGERATION CONNECTIONS		REF CHARGE (LBS)	DIMENSIONS (IN)			SHIP WGT (LBS)
	C - CO ₂				LIQ	SUCT		L	W	H	
	{D}ual Speed	{V}ariable Speed									
GH*16A-060C{ }	N/A	9.00	6,000	900	1/2"	7/8"	2.4	31.75	28.75	18.25	130
GH*26A-130C{ }	N/A	9.00	13,000	1,800	1/2"	7/8"	3.2	49.75	28.75	18.25	180
GH*36A-198C{ }	N/A	9.00	19,800	2,700	1/2"	1-1/8"	4.8	67.75	28.75	18.25	240
GH*46A-270C{ }	N/A	9.00	27,000	3,600	1/2"	1-1/8"	6.4	85.75	28.75	18.25	320
GH*56A-340C{ }	N/A	9.00	34,000	4,500	1/2"	1-1/8"	7.2	103.75	28.75	18.25	370
GH*66A-410C{ }	N/A	9.00	41,000	5,400	1/2"	1-1/8"	8.8	121.75	28.75	18.25	420
GH*14A-050C{ }	N/A	9.00	5,000	940	1/2"	7/8"	2.4	31.75	28.75	18.25	120
GH*24A-100C{ }	N/A	9.00	10,000	1,880	1/2"	7/8"	3.2	49.75	28.75	18.25	170
GH*34A-150C{ }	N/A	9.00	15,000	2,820	1/2"	1-1/8"	4.8	67.75	28.75	18.25	230
GH*44A-200C{ }	N/A	9.00	20,000	3,760	1/2"	1-1/8"	6.4	85.75	28.75	18.25	310
GH*54A-250C{ }	N/A	9.00	25,000	4,700	1/2"	1-1/8"	7.2	103.75	28.75	18.25	360
GH*64A-300C{ }	N/A	9.00	30,000	5,640	1/2"	1-1/8"	8.8	121.75	28.75	18.25	410

GENTLE AIR - 12" LOW SILHOUETTE - MEDIUM TEMPERATURE - CO₂

MODEL	Cooler AWEF By Refrigerant and Motor		CAPACITY (BTU/H) @ 10° F TD +25° F EVAP	AIR FLOW (CFM)	REFRIGERATION CONNECTIONS		REF CHARGE (LBS)	DIMENSIONS (IN)			SHIP WGT (LBS)
	C - CO ₂				LIQ	SUCT		L	W	H	
	{D}ual Speed	{V}ariable Speed									
GLD16A-045C{ }	9.00	9.00	4,500	600	1/2"	5/8"	1.6	31.75	28.75	12.25	100
GLD26A-090C{ }	9.00	9.00	9,000	1,200	1/2"	7/8"	2.4	49.75	28.75	12.25	140
GLD36A-135C{ }	9.00	9.00	13,500	1,800	1/2"	1-1/8"	3.2	67.75	28.75	12.25	190
GLD46A-180C{ }	9.00	9.00	18,000	2,400	1/2"	1-1/8"	4.0	85.75	28.75	12.25	250
GLD56A-225C{ }	9.00	9.00	22,500	3,000	1/2"	1-1/8"	4.0	103.75	28.75	12.25	290
GLD66A-268C{ }	9.00	9.00	26,800	3,600	1/2"	1-1/8"	4.8	121.75	28.75	12.25	340
GLD14A-035C{ }	9.00	9.00	3,500	630	1/2"	5/8"	1.6	31.75	28.75	12.25	90
GLD24A-070C{ }	9.00	9.00	7,000	1,260	1/2"	7/8"	2.4	49.75	28.75	12.25	130
GLD34A-105C{ }	9.00	9.00	10,500	1,890	1/2"	1-1/8"	3.2	67.75	28.75	12.25	180
GLD44A-140C{ }	9.00	9.00	14,000	2,520	1/2"	1-1/8"	4.0	85.75	28.75	12.25	240
GLD54A-175C{ }	9.00	9.00	17,500	3,150	1/2"	1-1/8"	4.0	103.75	28.75	12.25	280
GLD64A-210C{ }	9.00	9.00	21,000	3,780	1/2"	1-1/8"	4.8	121.75	28.75	12.25	330

* For motor code and refrigerant, use "D" when AWEF rating is shown and "A" for non-regulated applications or where AWEF is N/A.

{ } Include motor code as either "D" for Dual Speed or "V" for Variable Speed EC motor to be used.

EXAMPLE FULL MODEL:

GHD34A-150CDA is DOE / NRCan with CO₂, Dual Speed EC motor and includes the additional letter A for 208 V single phase.

Key Point -

Krack evaporator capacities shown are with **midpoint** evaporating temperature to offer a consistent capacity for selection when using different refrigerants and match other Krack and Hussmann equipment.

GH/GL Series Unit Coolers

Electric Defrost Specifications - CO₂ Refrigerant

GENTLE AIR - 18" HIGH SILHOUETTE - MEDIUM TEMPERATURE - CO₂

MODEL	Cooler AWEF By Refrigerant and Motor		CAPACITY (BTU/H) @ 10° F TD +25° F EVAP	AIR FLOW (CFM)	REFRIGERATION CONNECTIONS		REF CHARGE (LBS)	DIMENSIONS (IN)			SHIP WGT (LBS)
	C - CO ₂				LIQ	SUCT		L	W	H	
	{D}ual Speed	{V}ariable Speed									
GH*16A-060C{ }	N/A	9.00	6,000	900	1/2"	7/8"	2.4	31.75	28.75	18.25	130
GH*26A-130C{ }	N/A	9.00	13,000	1,800	1/2"	7/8"	3.2	49.75	28.75	18.25	180
GH*36A-198C{ }	N/A	9.00	19,800	2,700	1/2"	1-1/8"	4.8	67.75	28.75	18.25	240
GH*46A-270C{ }	N/A	9.00	27,000	3,600	1/2"	1-1/8"	6.4	85.75	28.75	18.25	320
GH*56A-340C{ }	N/A	9.00	34,000	4,500	1/2"	1-1/8"	7.2	103.75	28.75	18.25	370
GH*66A-410C{ }	N/A	9.00	41,000	5,400	1/2"	1-1/8"	8.8	121.75	28.75	18.25	420
GH*14A-050C{ }	N/A	9.00	5,000	940	1/2"	7/8"	2.4	31.75	28.75	18.25	120
GH*24A-100C{ }	N/A	9.00	10,000	1,880	1/2"	7/8"	3.2	49.75	28.75	18.25	170
GH*34A-150C{ }	N/A	9.00	15,000	2,820	1/2"	1-1/8"	4.8	67.75	28.75	18.25	230
GH*44A-200C{ }	N/A	9.00	20,000	3,760	1/2"	1-1/8"	6.4	85.75	28.75	18.25	310
GH*54A-250C{ }	N/A	9.00	25,000	4,700	1/2"	1-1/8"	7.2	103.75	28.75	18.25	360
GH*64A-300C{ }	N/A	9.00	30,000	5,640	1/2"	1-1/8"	8.8	121.75	28.75	18.25	410

GENTLE AIR - 12" LOW SILHOUETTE - MEDIUM TEMPERATURE - CO₂

MODEL	Cooler AWEF By Refrigerant and Motor		CAPACITY (BTU/H) @ 10° F TD +25° F EVAP	AIR FLOW (CFM)	REFRIGERATION CONNECTIONS		REF CHARGE (LBS)	DIMENSIONS (IN)			SHIP WGT (LBS)
	C - CO ₂				LIQ	SUCT		L	W	H	
	{D}ual Speed	{V}ariable Speed									
GLD16A-045C{ }	9.00	9.00	4,500	600	1/2"	5/8"	1.6	31.75	28.75	12.25	100
GLD26A-090C{ }	9.00	9.00	9,000	1,200	1/2"	7/8"	2.4	49.75	28.75	12.25	140
GLD36A-135C{ }	9.00	9.00	13,500	1,800	1/2"	1-1/8"	3.2	67.75	28.75	12.25	190
GLD46A-180C{ }	9.00	9.00	18,000	2,400	1/2"	1-1/8"	4.0	85.75	28.75	12.25	250
GLD56A-225C{ }	9.00	9.00	22,500	3,000	1/2"	1-1/8"	4.0	103.75	28.75	12.25	290
GLD66A-268C{ }	9.00	9.00	26,800	3,600	1/2"	1-1/8"	4.8	121.75	28.75	12.25	340
GLD14A-035C{ }	9.00	9.00	3,500	630	1/2"	5/8"	1.6	31.75	28.75	12.25	90
GLD24A-070C{ }	9.00	9.00	7,000	1,260	1/2"	7/8"	2.4	49.75	28.75	12.25	130
GLD34A-105C{ }	9.00	9.00	10,500	1,890	1/2"	1-1/8"	3.2	67.75	28.75	12.25	180
GLD44A-140C{ }	9.00	9.00	14,000	2,520	1/2"	1-1/8"	4.0	85.75	28.75	12.25	240
GLD54A-175C{ }	9.00	9.00	17,500	3,150	1/2"	1-1/8"	4.0	103.75	28.75	12.25	280
GLD64A-210C{ }	9.00	9.00	21,000	3,780	1/2"	1-1/8"	4.8	121.75	28.75	12.25	330

* For motor code and refrigerant, use "D" when AWEF rating is shown and "A" for non-regulated applications or where AWEF is N/A.

{ } Include motor code as either "D" for Dual Speed or "V" for Variable Speed EC motor to be used.

E XAMPLE FULL MODEL:

GH034D-105DAA is DDE / NRCan with CO₂, Dual Speed EC motor and includes the additional letter A for 208 V single phase fan power and K for 208/3/60 defrost.

Key Point -

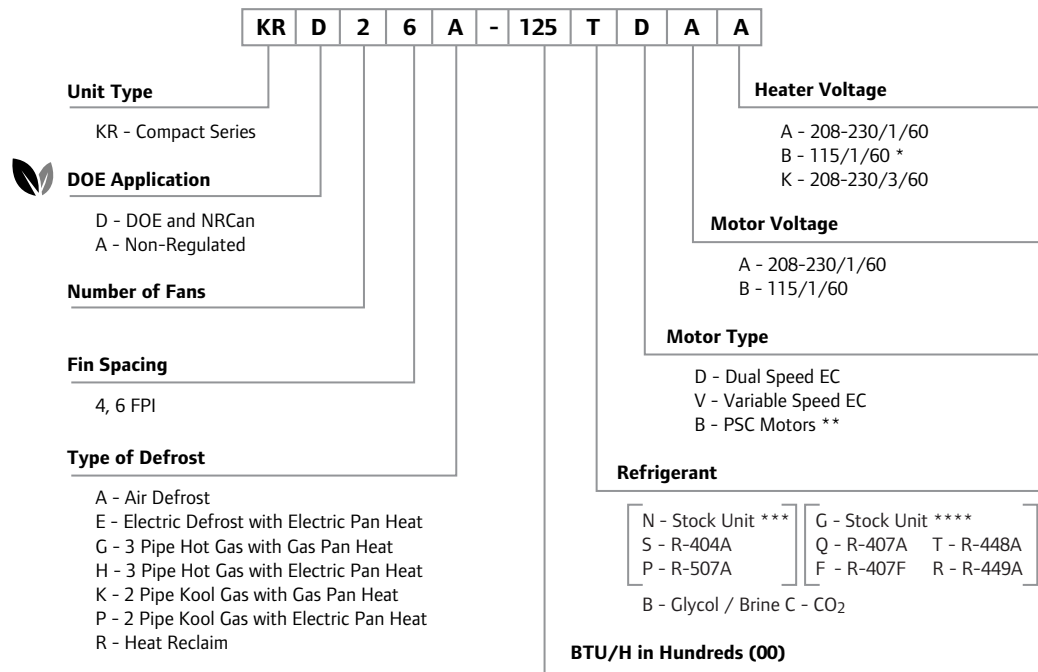
Krack evaporator capacities shown are with **midpoint** evaporating temperature to offer a consistent capacity for selection when using different refrigerants and match other Krack and Hussmann equipment.

KR Series Unit Coolers

Standard Features

Specifically designed with a low silhouette that fits flush to the ceiling utilizing less than 15" of headroom which gives you more usable storage space for every walk-in application.

- Swept Wing Fan Blade Design for quieter operation. Non-metallic fan guard eliminates possibility for corrosion.
- Front access to refrigeration components and electrical panel with hinged cover for easy access for service.
- Standard EC motors are two speed 1/15 horsepower and multi-voltage operating on 100-240/1/50-60 power.
- Die-formed patterned aluminum cabinet and drain pan with easy-to-clean radius corners.
- Coil constructed of heavy-wall copper tube and rippled full collar aluminum fins.
- Optimized circuiting for HFC and HFO refrigerants.
- Sealed and pressurized from the factory.
- Factory-wired fans and defrost controls to convenient terminal strips for field connections.
- Plug in motor leads for quick positive connection to wiring harness.



* Available on pan heaters for "H" and "P" defrost options only.

** PSC motors are not allowed in USA or Canada for any evaporator solution.

*** 'N' Stock Units are for non-glide or glide refrigerants (consult I/O manual for complete refrigerant listing).

**** 'G' Stock Units are for glide refrigerants only (consult I/O manual for complete refrigerant listing).



Use your QR reader to reference current document version on www.krack.com.

KR Series Unit Coolers

Air Defrost Specifications

AIR DEFROST														
MODEL	COOLER AWEF BY REFRIGERANT and MOTOR				CAPACITY (BTU/H) @ 10° F TD +25° F EVAP	AIR FLOW (CFM)	REFRIGERATION CONNECTIONS		HANGERS	REF CHARGE (LBS)	DIMENSIONS (IN)			SHIP WGT (LBS)
	[G] STOCK UNIT**, [Q] R-407A, [F] R-407F, [T] R-448A, [R] R-449A		[N] STOCK UNIT***, [S] R-404A, [P] R-507A				LIQ	SUCT			L	W	H	
	{D}ual Speed	{V}variable Speed	{D}ual Speed	{V}variable Speed										
KR*16A-040[]{ }	9.00	9.00	9.00	9.00	4,000	845	1/2"	5/8"	4	1	29.13	15.32	15.90	55
KR*16A-060[]{ }	9.00	9.00	9.00	9.00	6,000	845	1/2"	5/8"	4	1	29.13	15.32	15.90	60
KR*26A-089[]{ }	9.00	9.00	9.00	9.00	8,900	1,690	1/2"	7/8"	4	2	47.13	15.32	15.90	100
KR*26A-125[]{ }	9.00	9.00	9.00	9.00	12,500	1,690	1/2"	7/8"	4	2	47.13	15.32	15.90	100
KR*36A-134[]{ }	9.00	9.00	9.00	9.00	13,400	2,535	1/2"	7/8"	4	3	65.13	15.32	15.90	120
KR*36A-170[]{ }	9.00	9.00	9.00	9.00	17,000	2,535	1/2"	1-1/8"	4	3	65.13	15.32	15.90	140
KR*46A-216[]{ }	9.00	9.00	9.00	9.00	21,600	3,380	1/2"	1-1/8"	6	3	83.13	15.32	15.90	180
KR*56A-242[]{ }	9.00	9.00	9.00	9.00	24,200	4,225	1/2"	1-1/8"	6	4	101.13	15.32	15.90	220
KR*66A-340[]{ }	9.00	9.00	9.00	9.00	34,000	5,070	1/2"	1-3/8"	6	5	119.13	15.32	15.90	265
KR*14A-058[]{ }	9.00	9.00	9.00	9.00	5,800	855	1/2"	5/8"	4	1	29.13	15.32	15.90	60
KR*24A-096[]{ }	9.00	9.00	9.00	9.00	9,600	1,750	1/2"	5/8"	4	2	47.13	15.32	15.90	90
KR*24A-117[]{ }	9.00	9.00	9.00	9.00	11,700	1,710	1/2"	5/8"	4	2	47.13	15.32	15.90	100
KR*34A-143[]{ }	9.00	9.00	9.00	9.00	14,300	2,625	1/2"	5/8"	4	3	65.13	15.32	15.90	125
KR*34A-173[]{ }	9.00	9.00	9.00	9.00	17,300	2,565	1/2"	5/8"	4	3	65.13	15.32	15.90	140
KR*44A-191[]{ }	9.00	9.00	9.00	9.00	19,100	3,500	1/2"	5/8"	6	3	83.13	15.32	15.90	165
KR*44A-232[]{ }	9.00	9.00	9.00	9.00	23,200	3,420	1/2"	5/8"	6	3	83.13	15.32	15.90	180
KR*54A-290[]{ }	9.00	9.00	9.00	9.00	29,000	4,275	1/2"	5/8"	6	4	101.13	15.32	15.90	225
KR*64A-348[]{ }	9.00	9.00	9.00	9.00	34,800	5,130	1/2"	5/8"	6	5	119.13	15.32	15.90	265

* All air defrost are DOE / NRCan compliant when applied with "D" for Dual Speed or "V" for Variable Speed EC motor codes and any HFC / HFO refrigerant. [] Location for the refrigerant letter code.

{ } Include motor code as either "D" for Dual Speed or "V" for Variable Speed EC motor to be used..

** G Stock Units are for glide refrigerants only (consult I/O manual for complete refrigerant listing).

*** N Stock Units are for non-glide or glide refrigerants (consult I/O manual for complete refrigerant listing).

EXAMPLE FULL MODEL:

KRD16A-040SDA is DOE / NRCan with R-404A, Dual Speed EC motor and includes the additional letter A for 208 V single phase fan power.

Key Point -

Krack evaporator capacities shown are with **midpoint** evaporating temperature to offer a consistent capacity for selection when using different refrigerants and match other Krack and Hussmann equipment.

KR Series Unit Coolers

Electric and Hot Gas Defrost Specifications

ELECTRIC DEFROST

MODEL	AWEF BY REFRIGERANT, MOTOR, and APPLICATION								CAPACITY (BTU/H) @ 10° F TD -20° F EVAP	CAPACITY (BTU/H) @ 10° F TD +20° F EVAP	AIR FLOW (CFM)	REFRIGERATION CONNECTIONS		HANGERS	REF CHARGE (LBS)	DIMENSIONS (IN)			SHIP WGT (LBS)
	[G] STOCK UNIT**, [Q] R-407A, [F] R-407F, [T] R-448A, [R] R-449A				[N] STOCK UNIT***, [S] R-404A, [P] R-507A							LIQ	SUCT			L	W	H	
	{D}ual Speed		{V}ariable Speed		{D}ual Speed		{V}ariable Speed												
	Freezer	Cooler	Freezer	Cooler	Freezer	Cooler	Freezer	Cooler											
KR*14E-037[]{ }	4.15	9.00	4.15	9.00	N/A	N/A	4.15	9.00	3,700	5,000	875	1/2"	5/8"	4	1	29.13	15.32	15.90	55
KR*24E-074[]{ }	4.15	9.00	4.15	9.00	N/A	N/A	4.15	9.00	7,400	9,990	1,750	1/2"	7/8"	4	2	47.13	15.32	15.90	90
KR*34E-111[]{ }	4.15	9.00	4.15	9.00	N/A	N/A	4.15	9.00	11,100	14,990	2,625	1/2"	7/8"	4	3	65.13	15.32	15.90	125
KR*44E-148[]{ }	4.15	9.00	4.15	9.00	N/A	N/A	4.15	9.00	14,800	19,850	3,500	1/2"	1-1/8"	6	3	83.13	15.32	15.90	165
KR*54E-185[]{ }	4.15	9.00	4.15	9.00	N/A	N/A	4.15	9.00	18,500	24,980	4,375	1/2"	1-1/8"	6	4	101.10	15.32	15.90	200
KR*64E-220[]{ }	4.15	9.00	4.15	9.00	N/A	N/A	4.15	9.00	22,000	29,700	5,250	1/2"	1-1/8"	6	5	119.10	15.32	15.90	240
KR*16E-035[]{ }	4.15	9.00	4.15	9.00	N/A	N/A	4.15	9.00	3,500	4,730	845	1/2"	5/8"	4	1	29.13	15.32	15.90	55
KR*16E-045[]{ }	4.15	9.00	4.15	9.00	N/A	N/A	4.15	9.00	4,500	6,080	845	1/2"	5/8"	4	1	29.13	15.32	15.90	60
KR*26E-090[]{ }	4.15	9.00	4.15	9.00	N/A	N/A	4.15	9.00	9,000	12,150	1,690	1/2"	7/8"	4	2	47.13	15.32	15.90	100
KR*36E-135[]{ }	4.15	9.00	4.15	9.00	N/A	N/A	4.15	9.00	13,500	18,230	2,535	1/2"	7/8"	4	3	65.13	15.32	15.90	140
KR*46E-180[]{ }	4.15	9.00	4.15	9.00	N/A	N/A	4.15	9.00	18,000	24,300	3,380	1/2"	1-1/8"	6	4	83.13	15.32	15.90	180
KR*56E-192[]{ }	4.15	9.00	4.15	9.00	N/A	N/A	4.15	9.00	19,200	25,920	4,225	1/2"	1-1/8"	6	4	101.10	15.32	15.90	220
KR*66E-270[]{ }	4.15	9.00	4.15	9.00	N/A	N/A	4.15	9.00	27,000	36,450	5,070	1/2"	1-1/8"	6	5	119.10	15.32	15.90	265

EXAMPLE FULL MODEL:
KRD16E-0350DAA is DOE / NRCan with R-407A,
Dual Speed EC motor and includes the additional
letters AA for 208 V single phase power.

* For motor code and refrigerant, use 'D' when AWEF rating is shown and 'A' for non-regulated applications or where AWEF is N/A.
De-rate capacity 12% for 50 Hertz operation with 3 phase motors only. [] Location for the refrigerant letter code.
{ } Include motor code as either 'D' for Dual Speed or 'V' for Variable Speed EC motor to be used.

** G Stock Units are for glide refrigerants only (consult I/O manual for complete refrigerant listing).

*** N Stock Units are for non-glide or glide refrigerants (consult I/O manual for complete refrigerant listing).

HOT GAS DEFROST

MODEL	AWEF BY REFRIGERANT, MOTOR, and APPLICATION								CAPACITY (BTU/H) @ 10° TD -20° F EVAP	CAPACITY (BTU/H) @ 10° TD +20° F EVAP	AIR FLOW (CFM)	REFRIGERATION CONNECTIONS			HANGERS	REF CHARGE (LBS)	DIMENSIONS (IN)			SHIP WGT (LBS)
	[G] STOCK UNIT**, [Q] R-407A, [F] R-407F, [T] R-448A, [R] R-449A				[N] STOCK UNIT***, [S] R-404A, [P] R-507A							LIQ	SUCT	HOT GAS			L	W	H	
	{D}ual Speed		{V}ariable Speed		{D}ual Speed		{V}ariable Speed													
	Freezer	Cooler	Freezer	Cooler	Freezer	Cooler	Freezer	Cooler												
KR*14(-)037[]{ }	4.15	9.00	4.15	9.00	N/A	N/A	4.15	9.00	3,700	5,000	875	1/2"	5/8"	1/2"	4	1	29.13	15.32	15.90	55
KR*24(-)074[]{ }	4.15	9.00	4.15	9.00	N/A	N/A	4.15	9.00	7,400	9,990	1,750	1/2"	7/8"	1/2"	4	2	47.13	15.32	15.90	90
KR*34(-)111[]{ }	4.15	9.00	4.15	9.00	N/A	N/A	4.15	9.00	11,100	14,990	2,625	1/2"	7/8"	1/2"	4	3	65.13	15.32	15.90	125
KR*44(-)148[]{ }	4.15	9.00	4.15	9.00	N/A	N/A	4.15	9.00	14,800	19,850	3,500	1/2"	1-1/8"	1/2"	6	3	83.13	15.32	15.90	165
KR*54(-)185[]{ }	4.15	9.00	4.15	9.00	N/A	N/A	4.15	9.00	18,500	24,980	4,375	1/2"	1-1/8"	1/2"	6	4	101.10	15.32	15.90	200
KR*64(-)220[]{ }	4.15	9.00	4.15	9.00	N/A	N/A	4.15	9.00	22,000	29,700	5,250	1/2"	1-1/8"	1/2"	6	5	119.10	15.32	15.90	240
KR*16(-)035[]{ }	4.15	9.00	4.15	9.00	N/A	N/A	4.15	9.00	3,500	4,730	845	1/2"	5/8"	1/2"	4	1	29.13	15.32	15.90	55
KR*16(-)045[]{ }	4.15	9.00	4.15	9.00	N/A	N/A	4.15	9.00	4,500	6,080	845	1/2"	5/8"	1/2"	4	1	29.13	15.32	15.90	60
KR*26(-)090[]{ }	4.15	9.00	4.15	9.00	N/A	N/A	4.15	9.00	9,000	12,150	1,690	1/2"	7/8"	1/2"	4	2	47.13	15.32	15.90	100
KR*36(-)135[]{ }	4.15	9.00	4.15	9.00	N/A	N/A	4.15	9.00	13,500	18,230	2,535	1/2"	7/8"	1/2"	4	3	65.13	15.32	15.90	140
KR*46(-)180[]{ }	4.15	9.00	4.15	9.00	N/A	N/A	4.15	9.00	18,000	24,300	3,380	1/2"	1-1/8"	1/2"	6	4	83.13	15.32	15.90	180
KR*56(-)192[]{ }	4.15	9.00	4.15	9.00	N/A	N/A	4.15	9.00	19,200	25,920	4,225	1/2"	1-1/8"	1/2"	6	4	101.10	15.32	15.90	220
KR*66(-)270[]{ }	4.15	9.00	4.15	9.00	N/A	N/A	4.15	9.00	27,000	36,450	5,070	1/2"	1-1/8"	1/2"	6	5	119.10	15.32	15.90	265

Available Gas Defrost Types

- (K) - 2 Pipe Kool Gas with Gas Pan
- (P) - 2 Pipe Kool Gas with Electric Pan Heat
- (G) - 3 Pipe Hot Gas with Hot Gas Pan
- (H) - 3 Pipe Hot Gas with Electric Pan Heat

* For motor code and refrigerant, use 'D' when AWEF rating is shown and 'A' for non-regulated applications or where AWEF is N/A.
[] Gas defrost type K, H, G, or P. See definition to the right. [] Location for the refrigerant letter code.
{ } Include motor code as either "D" for Dual Speed or "V" for Variable Speed EC motor to be used.

** G Stock Units are for glide refrigerants only (consult I/O manual for complete refrigerant listing).

*** N Stock Units are for non-glide or glide refrigerants (consult I/O manual for complete refrigerant listing).

EXAMPLE FULL MODEL:

KRD24K-035PVA is DOE / NRCan with R-507A, Variable Speed EC motor and includes the additional letter A for 208V single phase fan power.



Crack evaporator capacities shown are with **midpoint** evaporating temperature to offer a consistent capacity for selection when using different refrigerants and match other Crack and Hussmann equipment.

KR Series Unit Coolers

Air Defrost Specifications - CO₂ Refrigerant

AIR DEFROST - CO ₂												
MODEL	Cooler AWEF By Refrigerant and Motor		CAPACITY (BTU/H) @ 10° F TD +25° F EVAP	AIR FLOW (CFM)	REFRIGERATION CONNECTIONS		HANGERS	REF CHARGE (LBS)	DIMENSIONS (IN)			SHIP WGT (LBS)
	C - CO ₂				LIQ	SUCT			L	W	H	
	{D}ual Speed	{V}ariable Speed										
KRD16A-040C{ }	9.00	9.00	4,000	845	1/2"	5/8"	4	0.8	29.13	15.32	15.90	55
KRD16A-060C{ }	9.00	9.00	6,000	845	1/2"	5/8"	4	0.8	29.13	15.32	15.90	60
KRD26A-089C{ }	9.00	9.00	8,900	1,690	1/2"	7/8"	4	1.6	47.13	15.32	15.90	100
KRD26A-125C{ }	9.00	9.00	12,500	1,690	1/2"	7/8"	4	1.6	47.13	15.32	15.90	100
KRD36A-134C{ }	9.00	9.00	13,400	2,535	1/2"	7/8"	4	2.4	65.13	15.32	15.90	120
KRD36A-170C{ }	9.00	9.00	17,000	2,535	1/2"	1-1/8"	4	2.4	65.13	15.32	15.90	140
KRD46A-216C{ }	9.00	9.00	21,600	3,380	1/2"	1-1/8"	6	2.4	83.13	15.32	15.90	180
KRD56A-242C{ }	9.00	9.00	24,200	4,225	1/2"	1-1/8"	6	3.2	101.13	15.32	15.90	220
KRD66A-340C{ }	9.00	9.00	34,000	5,070	1/2"	1-1/8"	6	4.0	119.13	15.32	15.90	265
KRD14A-058C{ }	9.00	9.00	5,800	855	1/2"	5/8"	4	0.8	29.13	15.32	15.90	60
KRD24A-096C{ }	9.00	9.00	9,600	1,750	1/2"	5/8"	4	1.6	47.13	15.32	15.90	90
KRD24A-117C{ }	9.00	9.00	11,700	1,710	1/2"	5/8"	4	1.6	47.13	15.32	15.90	100
KRD34A-143C{ }	9.00	9.00	14,300	2,625	1/2"	5/8"	4	2.4	65.13	15.32	15.90	125
KRD34A-173C{ }	9.00	9.00	17,300	2,565	1/2"	5/8"	4	2.4	65.13	15.32	15.90	140
KRD44A-191C{ }	9.00	9.00	19,100	3,500	1/2"	5/8"	6	2.4	83.13	15.32	15.90	165
KRD44A-232C{ }	9.00	9.00	23,200	3,420	1/2"	5/8"	6	2.4	83.13	15.32	15.90	180
KRD54A-290C{ }	9.00	9.00	29,000	4,275	1/2"	5/8"	6	3.2	101.13	15.32	15.90	225
KRD64A-348C{ }	9.00	9.00	34,800	5,130	1/2"	5/8"	6	4.0	119.13	15.32	15.90	265

{ } Include motor code as either "D" for Dual Speed or "V" for Variable Speed EC motor to be used.

EXAMPLE FULL MODEL:

KRD16A-040CDA is DOE / NRCan with CO₂, Dual Speed EC motor and includes the additional letter A for 208 V single phase fan power.

Electric Defrost Specifications - CO₂ Refrigerant

ELECTRIC DEFROST - CO ₂															
MODEL	AWEF By Refrigerant, Motor and Application				CAPACITY (BTU/H) @ 10° F TD -20° F EVAP	CAPACITY (BTU/H) @ 10° F TD +20° F EVAP	AIR FLOW (CFM)	REFRIGERATION CONNECTIONS		HANGERS	REF CHARGE (LBS)	DIMENSIONS (IN)			SHIP WGT (LBS)
	C - CO ₂							LIQ	SUCT			L	W	H	
	{D}ual Speed		{V}ariable Speed												
	Freezer	Cooler	Freezer	Cooler											
KRD14E-037C{ }	4.15	9.00	4.15	9.00	3,700	5,000	875	1/2"	5/8"	4	0.8	29.13	15.32	15.90	55
KRD24E-074C{ }	4.15	9.00	4.15	9.00	7,400	9,990	1,750	1/2"	7/8"	4	1.6	47.13	15.32	15.90	90
KRD34E-111C{ }	4.15	9.00	4.15	9.00	11,100	14,990	2,625	1/2"	7/8"	4	2.4	65.13	15.32	15.90	125
KRD44E-148C{ }	4.15	9.00	4.15	9.00	14,800	19,850	3,500	1/2"	1-1/8"	6	2.4	83.13	15.32	15.90	165
KRD54E-185C{ }	4.15	9.00	4.15	9.00	18,500	24,980	4,375	1/2"	1-1/8"	6	3.2	101.13	15.32	15.90	200
KRD64E-220C{ }	4.15	9.00	4.15	9.00	22,000	29,700	5,250	1/2"	1-1/8"	6	4.0	119.13	15.32	15.90	240
KRD16E-035C{ }	4.15	9.00	4.15	9.00	3,500	4,730	845	1/2"	5/8"	4	0.8	29.13	15.32	15.90	55
KRD16E-045C{ }	4.15	9.00	4.15	9.00	4,500	6,080	845	1/2"	5/8"	4	0.8	29.13	15.32	15.90	60
KRD26E-090C{ }	4.15	9.00	4.15	9.00	9,000	12,150	1,690	1/2"	7/8"	4	1.6	47.13	15.32	15.90	100
KRD36E-135C{ }	4.15	9.00	4.15	9.00	13,500	18,230	2,535	1/2"	7/8"	4	2.4	65.13	15.32	15.90	140
KRD46E-180C{ }	4.15	9.00	4.15	9.00	18,000	24,300	3,380	1/2"	1-1/8"	6	3.2	83.13	15.32	15.90	180
KRD56E-192C{ }	4.15	9.00	4.15	9.00	19,200	25,920	4,225	1/2"	1-1/8"	6	3.2	101.13	15.32	15.90	220
KRD66E-270C{ }	4.15	9.00	4.15	9.00	27,000	36,450	5,070	1/2"	1-1/8"	6	4.0	119.13	15.32	15.90	265

{ } Include motor code as either "D" for Dual Speed or "V" for Variable Speed EC motor to be used.

EXAMPLE FULL MODEL:

KRD16E-035CDA is DOE / NRCan with CO₂, Dual Speed EC motor and includes the additional letters AA for 208 V single phase power.

Key Point -

Krack evaporator capacities shown are with **midpoint** evaporating temperature to offer a consistent capacity for selection when using different refrigerants and match other Krack and Hussmann equipment.

MK/MV Series Unit Coolers

Standard Features

MK Medium Profile Unit Coolers are designed with a wide capacity range and air movement for WICF 12' to 20' high required to meet DOE / NRCan regulation.

MV Models are available for non-regulated applications requiring a longer air throw.

- Ruggedly constructed cabinets are installed level and flush to the ceiling or with hanger rods.
- Wide capacity range with coils with 4, 6, or 8 fins per inch.
- Swept Wing Fan Blade Design for quieter operation standard on air defrost.
- Aluminum cabinet and drain pan.
- Coated, corrosion-proof wire fan guards.
- EC fan motor is a nominal 1/3 horsepower, dual voltage 115/1/60 or 208-230/1/60, and will accept a 0-10 V signal to vary the fan speed.
- Plug in motor leads for quick positive connection to wiring harness.
- Factory-wired fans and defrost controls to convenient terminal strips for field connections.
- Coil constructed of heavy-wall copper tube and rippled full collar aluminum fins.
- Optimized circuiting for HFC and HFO refrigerants.
- Sealed and pressurized from the factory.

MK D 2 6 E - 152 T V A A									
<p>Unit Type</p> <p>MK - Medium Profile MV - High Velocity</p> <p>DOE Application</p> <p>D - DOE and NRCan A - Non-Regulated</p> <p>Number of Fans</p> <p>4, 6, 8 FPI</p> <p>Fin Spacing</p> <p>4, 6, 8 FPI</p> <p>Type of Defrost</p> <p>A - Air Defrost E - Electric Defrost w/Electric Pan Heat G - 3 Pipe Hot Gas w/Gas Pan Heat H - 3 Pipe Hot Gas w/Electric Pan Heat K - 2 Pipe Kool Gas w/Gas Pan Heat P - 2 Pipe Kool Gas w/Electric Pan Heat R - Heat Reclaim</p>	<p>Heater Voltage</p> <p>A - 208-230/1/60 B - 115/1/60 **** K - 208-230/3/60 M - 460/3/60</p> <p>Motor Voltage</p> <p>A - 208-230/1/60 B - 115/1/60 K - 208-230/3/60 * H - 460/1/60 ** M - 460/3/60 ***</p> <p>Motor Type***</p> <p>V - Variable Speed EC D - Variable Speed EC, Dual Speed Control B - PSC Motors *****</p> <p>Refrigerant</p> <table border="1"> <tr> <td>N - Stock Unit *****</td> <td>G - Stock Unit *****</td> </tr> <tr> <td>S - R-404A</td> <td>Q - R-407A T - R-448A</td> </tr> <tr> <td>P - R-507A</td> <td>F - R-407F R - R-449A</td> </tr> </table> <p>B - Glycol / Brine C - CO₂</p>	N - Stock Unit *****	G - Stock Unit *****	S - R-404A	Q - R-407A T - R-448A	P - R-507A	F - R-407F R - R-449A		
N - Stock Unit *****	G - Stock Unit *****								
S - R-404A	Q - R-407A T - R-448A								
P - R-507A	F - R-407F R - R-449A								
BTU/H in Hundreds (00)									



* Single phase motors wired for 3 phase operation. Not available on single fan units.

** 460 V motors are Motor Type PSC only and not available for any evaporator solution in the USA or Canada.

*** EC motor required for DOE with Variable Speed or Dual Speed control option are A, B or K motor voltage only.

**** Available on pan heaters for "H" and "P" defrost options only.

***** PSC motors are not allowed in USA or Canada for any evaporator solution.

***** 'N' Stock Units are for non-glide or glide refrigerants (consult I/O manual for complete refrigerant listing).

***** 'G' Stock Units are for glide refrigerants only (consult I/O manual for complete refrigerant listing)



Use your QR reader to reference current document version on www.krack.com.

MK/MV Series Unit Coolers

Air Defrost Specifications

AIR DEFROST													
MODEL	COOLER AWEF BY REFRIGERANT and MOTOR				CAPACITY (BTU/H) @ 10° F TD +25° F EVAP	AIR FLOW (CFM)	REFRIGERATION CONNECTIONS		REF CHARGE (LBS)	DIMENSIONS (IN)			SHIP WGT (LBS)
	[G] STOCK UNIT**, [Q] R-407A, [F] R-407F, [T] R-448A, [R] R-449A		[N] STOCK UNIT***, [S] R-404A, [P] R-507A				LIQ	SUCT		L	W	H	
	{D}ual Speed	{V}variable Speed	{D}ual Speed	{V}variable Speed									
MK*18A-133[] []	9.00	9.00	N/A	9.00	13,300	2,710	1/2"	7/8"	3	38.00	19.00	26.75	125
MK*18A-160[] []	9.00	9.00	9.00	9.00	16,000	2,625	1/2"	1-1/8"	4	38.00	19.00	26.75	130
MK*28A-266[] []	9.00	9.00	N/A	9.00	26,600	5,420	1/2"	1-5/8"	5	63.00	19.00	26.75	225
MK*28A-320[] []	9.00	9.00	9.00	9.00	32,000	5,250	5/8"	1-5/8"	6	63.00	19.00	26.75	240
MK*38A-393[] []	9.00	9.00	9.00	9.00	39,300	8,130	5/8"	1-5/8"	7	92.00	19.00	26.75	330
MK*38A-480[] []	9.00	9.00	9.00	9.00	48,000	7,875	5/8"	1-5/8"	8	92.00	19.00	26.75	350
MK*48A-640[] []	9.00	9.00	9.00	9.00	64,000	10,500	5/8"	1-5/8"	11	119.00	19.00	26.75	470
MK*16A-118[] []	9.00	9.00	N/A	9.00	11,800	2,815	1/2"	7/8"	3	38.00	19.00	26.75	125
MK*16A-145[] []	9.00	9.00	9.00	9.00	14,500	2,725	1/2"	1-1/8"	4	38.00	19.00	26.75	130
MK*26A-236[] []	9.00	9.00	N/A	9.00	23,600	5,630	1/2"	1-1/8"	5	63.00	19.00	26.75	225
MK*26A-290[] []	9.00	9.00	N/A	9.00	29,000	5,450	1/2"	1-5/8"	6	63.00	19.00	26.75	240
MK*36A-354[] []	9.00	9.00	9.00	9.00	35,400	8,445	5/8"	1-5/8"	7	92.00	19.00	26.75	330
MK*36A-435[] []	9.00	9.00	9.00	9.00	43,500	8,175	5/8"	1-5/8"	8	92.00	19.00	26.75	350
MK*46A-580[] []	9.00	9.00	9.00	9.00	58,000	10,900	5/8"	1-5/8"	11	119.00	19.00	26.75	470
MK*14A-094[] []	9.00	9.00	N/A	9.00	9,400	3,060	1/2"	7/8"	3	38.00	19.00	26.75	125
MK*14A-121[] []	9.00	9.00	N/A	9.00	12,100	2,960	1/2"	7/8"	4	38.00	19.00	26.75	130
MK*24A-188[] []	9.00	9.00	N/A	9.00	18,800	6,120	1/2"	1-1/8"	5	63.00	19.00	26.75	225
MK*24A-242[] []	9.00	9.00	N/A	9.00	24,200	5,920	1/2"	1-1/8"	6	63.00	19.00	26.75	240
MK*34A-363[] []	9.00	9.00	9.00	9.00	36,300	8,880	5/8"	1-5/8"	8	92.00	19.00	26.75	350
MK*44A-484[] []	9.00	9.00	9.00	9.00	48,400	11,840	5/8"	1-5/8"	11	119.00	19.00	26.75	470

* For motor code and refrigerant, use "D" when AWEF rating is shown and "A" for non-regulated applications or where AWEF is N/A.

[] Location for the refrigerant letter code.

{ } Variable Speed EC motor is standard, include "V" for Variable Speed EC control or "D" when Dual Speed control from 10 V signal will be applied.

** G Stock Units are for glide refrigerants only (consult I/O manual for complete refrigerant listing).

*** N Stock Units are for non-glide or glide refrigerants (consult I/O manual for complete refrigerant listing).

EXAMPLE FULL MODEL:

MKD16A-118TVA is DOE / NRC with R-448A, Variable Speed EC motor and includes the additional letter A for 208 V single phase fan power.

Key Point -

Krack evaporator capacities shown are with **midpoint** evaporating temperature to offer a consistent capacity for selection when using different refrigerants and match other Krack and Hussmann equipment.

MK/MV Series Unit Coolers

Electric Defrost Specifications

MK ELECTRIC DEFROST

MK MODEL	AWEF BY REFRIGERANT, MOTOR, and APPLICATION								CAPACITY (BTU/H) @ 10° TD -20°F EVAP	CAPACITY (BTU/H) @ 10° TD +20°F EVAP	AIR FLOW (CFM)	REFRIGERATION CONNECTIONS		REF CHARGE (LBS)	DIMENSIONS (IN)			SHIP WGT (LBS)
	[G] STOCK UNIT**, [Q] R-407A, [F] R-407F, [T] R-448A, [R] R-449A				[N] STOCK UNIT***, [S] R-404A, [P] R-507A							LIQ	SUCT		L	W	H	
	{D}ual Speed		{V}ariable Speed		{D}ual Speed		{V}ariable Speed											
	Freezer	Cooler	Freezer	Cooler	Freezer	Cooler	Freezer	Cooler										
MK*16(-)-103[] { }	4.15	9.00	4.15	9.00	N/A	N/A	4.15	9.00	10,300	11,800	2,815	1/2"	1-1/8"	3	38.00	19.00	26.75	125
MK*16(-)-127[] { }	4.15	9.00	4.15	9.00	N/A	N/A	4.15	9.00	12,700	14,500	2,725	1/2"	1-1/8"	4	38.00	19.00	26.75	130
MK*26(-)-206[] { }	4.15	9.00	4.15	9.00	N/A	N/A	4.15	9.00	20,600	23,600	5,630	5/8"	1-5/8"	5	63.00	19.00	26.75	225
MK*26(-)-254[] { }	4.15	9.00	4.15	9.00	N/A	N/A	4.15	9.00	25,400	29,000	5,450	5/8"	1-5/8"	6	63.00	19.00	26.75	240
MK*36(-)-309[] { }	4.15	9.00	4.15	9.00	N/A	N/A	4.15	9.00	30,900	35,400	8,445	7/8"	1-5/8"	7	92.00	19.00	26.75	330
MK*36(-)-381[] { }	4.15	9.00	4.15	9.00	N/A	N/A	4.15	9.00	38,100	43,500	8,175	7/8"	2-1/8"	8	92.00	19.00	26.75	350
MK*46(-)-508[] { }	4.15	9.00	4.15	9.00	N/A	N/A	4.15	9.00	50,800	58,000	10,900	7/8"	2-1/8"	11	119.00	19.00	26.75	470
MK*14(-)-082[] { }	4.15	9.00	4.15	9.00	N/A	N/A	4.15	9.00	8,200	9,400	3,060	1/2"	1-1/8"	3	38.00	19.00	26.75	125
MK*14(-)-105[] { }	4.15	9.00	4.15	9.00	N/A	N/A	4.15	9.00	10,500	12,100	2,960	1/2"	1-1/8"	4	38.00	19.00	26.75	130
MK*24(-)-164[] { }	4.15	9.00	4.15	9.00	N/A	N/A	4.15	9.00	16,400	18,800	6,120	5/8"	1-5/8"	5	63.00	19.00	26.75	225
MK*24(-)-210[] { }	4.15	9.00	4.15	9.00	N/A	N/A	4.15	9.00	21,000	24,200	5,920	5/8"	1-5/8"	6	63.00	19.00	26.75	240
MK*34(-)-246[] { }	4.15	9.00	4.15	9.00	N/A	N/A	4.15	9.00	24,600	28,200	9,180	7/8"	1-5/8"	7	92.00	19.00	26.75	330
MK*34(-)-315[] { }	4.15	9.00	4.15	9.00	N/A	N/A	4.15	9.00	31,500	36,300	8,880	7/8"	2-1/8"	8	92.00	19.00	26.75	350
MK*44(-)-420[] { }	4.15	9.00	4.15	9.00	N/A	N/A	4.15	9.00	42,000	48,400	11,840	7/8"	2-1/8"	11	119.00	19.00	26.75	470

* For motor code and refrigerant, use "D" when AWEF rating is shown and "A" for non-regulated applications or where AWEF is N/A. [] Location for the refrigerant letter code. { } Variable Speed EC motor is standard, include "V" for Variable Speed EC control or "D" when Dual Speed control from 10 V signal will be applied.

** G Stock Units are for glide refrigerants only (consult I/O manual for complete refrigerant listing).

*** N Stock Units are for non-glide or glide refrigerants (consult I/O manual for complete refrigerant listing).

EXAMPLE FULL MODEL:

MKD26E-254QVAA is for DOE / NRCan application with R-407A, Variable Speed EC motor and includes the additional letters AA for 208 V single phase fan and defrost power.

MV ELECTRIC DEFROST

MV MODEL	FREEZER AWEF BY REFRIGERANT and MOTOR				CAPACITY (BTU/H) @ 10° TD -20°F EVAP	CAPACITY (BTU/H) @ 10° TD +20°F EVAP	AIR FLOW (CFM)	REFRIGERATION CONNECTIONS		REF CHARGE (LBS)	DIMENSIONS (IN)			SHIP WGT (LBS)				
	[G] STOCK UNIT**, [Q] R-407A, [F] R-407F, [T] R-448A, [R] R-449A							[N] STOCK UNIT***, [S] R-404A, [P] R-507A				LIQ	SUCT		L	W	H	
	{D}ual Speed		{V}ariable Speed					{D}ual Speed			{V}ariable Speed							
	Freezer	Cooler	Freezer	Cooler				Freezer	Cooler		Freezer	Cooler						
MVA16E-126[] { }	N/A	N/A	N/A	N/A	12,600	N/A	3,955	1/2"	1-5/8"	3	38.00	19.00	26.75	125				
MVA16E-155[] { }	N/A	N/A	N/A	N/A	15,500	N/A	3,800	1/2"	1-5/8"	3	38.00	19.00	26.75	130				
MVA26E-252[] { }	N/A	N/A	N/A	N/A	25,200	N/A	7,910	5/8"	1-5/8"	4	63.00	19.00	26.75	225				
MVA26E-310[] { }	N/A	N/A	N/A	N/A	31,000	N/A	7,600	5/8"	1-5/8"	6	63.00	19.00	26.75	240				
MVA36E-378[] { }	N/A	N/A	N/A	N/A	37,800	N/A	11,865	7/8"	1-5/8"	6	92.00	19.00	26.75	330				
MVA36E-465[] { }	N/A	N/A	N/A	N/A	46,500	N/A	11,400	7/8"	2-1/8"	8	92.00	19.00	26.75	350				
MVA46E-620[] { }	N/A	N/A	N/A	N/A	62,000	N/A	15,200	7/8"	2-1/8"	10	119.00	19.00	26.75	470				
MVA14E-100[] { }	N/A	N/A	N/A	N/A	10,000	N/A	4,300	1/2"	1-5/8"	3	38.00	19.00	26.75	125				
MVA14E-128[] { }	N/A	N/A	N/A	N/A	12,800	N/A	4,130	1/2"	1-5/8"	3	38.00	19.00	26.75	130				
MVA24E-200[] { }	N/A	N/A	N/A	N/A	20,000	N/A	8,600	5/8"	1-5/8"	4	63.00	19.00	26.75	225				
MVA24E-256[] { }	N/A	N/A	N/A	N/A	25,600	N/A	8,260	5/8"	1-5/8"	6	63.00	19.00	26.75	240				
MVA34E-300[] { }	N/A	N/A	N/A	N/A	30,000	N/A	12,900	7/8"	1-5/8"	6	92.00	19.00	26.75	330				
MVA34E-384[] { }	N/A	N/A	N/A	N/A	38,400	N/A	12,390	7/8"	2-1/8"	8	92.00	19.00	26.75	350				
MVA44E-512[] { }	N/A	N/A	N/A	N/A	51,200	N/A	16,520	7/8"	2-1/8"	10	119.00	19.00	26.75	470				

* MV models are available for use in non-regulated applications. Fan speed control options can be applied with the EC motor. [] Location for the refrigerant letter code. { } Variable Speed EC motor is standard, include "V" for Variable Speed EC control or "D" when Dual Speed control from 10 V signal will be applied.

** G Stock Units are for glide refrigerants only (consult I/O manual for complete refrigerant listing).

*** N Stock Units are for non-glide or glide refrigerants (consult I/O manual for complete refrigerant listing).

EXAMPLE FULL MODEL:

MVA36E-465SVAA is for non-regulated application with R-404A, Variable Speed EC motor and includes the additional letters AA for 208 V single phase fan and defrost power.



Key Point - Krack evaporator capacities shown are with **midpoint** evaporating temperature to offer a consistent capacity for selection when using different refrigerants and match other Krack and Hussmann equipment.

MK/MV Series Unit Coolers

Hot Gas Defrost Specifications

GAS DEFOST

MODEL	AWEF BY REFRIGERANT, MOTOR, and APPLICATION								CAPACITY (BTU/H) @ 10° F TD	CAPACITY (BTU/H) @ 20° F TD	AIR FLOW (CFM)	REFRIGERATION CONNECTIONS		REF CHARGE (LBS)	DIMENSIONS (IN)			SHIP WGT (LBS)
	[G] STOCK UNIT**, [Q] R-407A, [F] R-407F, [T] R-448A, [R] R-449A				[N] STOCK UNIT***, [S] R-404A, [P] R-507A							LIQ	SUCT		L	W	H	
	{D}ual Speed		{V}ariable Speed		{D}ual Speed		{V}ariable Speed											
	Freezer	Cooler	Freezer	Cooler	Freezer	Cooler	Freezer	Cooler										
MK*16(-)-103[] { }	4.15	9.00	4.15	9.00	N/A	N/A	4.15	9.00	10,300	11,800	2,815	1/2"	1-1/8"	3	38.00	19.00	26.75	125
MK*16(-)-127[] { }	4.15	9.00	4.15	9.00	N/A	N/A	4.15	9.00	12,700	14,500	2,725	1/2"	1-1/8"	4	38.00	19.00	26.75	130
MK*26(-)-206[] { }	4.15	9.00	4.15	9.00	N/A	N/A	4.15	9.00	20,600	23,600	5,630	5/8"	1-5/8"	5	63.00	19.00	26.75	225
MK*26(-)-254[] { }	4.15	9.00	4.15	9.00	N/A	N/A	4.15	9.00	25,400	29,000	5,450	5/8"	1-5/8"	6	63.00	19.00	26.75	240
MK*36(-)-309[] { }	4.15	9.00	4.15	9.00	N/A	N/A	4.15	9.00	30,900	35,400	8,445	7/8"	1-5/8"	7	92.00	19.00	26.75	330
MK*36(-)-381[] { }	4.15	9.00	4.15	9.00	N/A	N/A	4.15	9.00	38,100	43,500	8,175	7/8"	2-1/8"	8	92.00	19.00	26.75	350
MK*46(-)-508[] { }	4.15	9.00	4.15	9.00	N/A	N/A	4.15	9.00	50,800	58,000	10,900	7/8"	2-1/8"	11	119.00	19.00	26.75	470
MK*14(-)-082[] { }	4.15	9.00	4.15	9.00	N/A	N/A	4.15	9.00	8,200	9,400	3,060	1/2"	1-1/8"	3	38.00	19.00	26.75	125
MK*14(-)-105[] { }	4.15	9.00	4.15	9.00	N/A	N/A	4.15	9.00	10,500	12,100	2,960	1/2"	1-1/8"	4	38.00	19.00	26.75	130
MK*24(-)-164[] { }	4.15	9.00	4.15	9.00	N/A	N/A	4.15	9.00	16,400	18,800	6,120	5/8"	1-5/8"	5	63.00	19.00	26.75	225
MK*24(-)-210[] { }	4.15	9.00	4.15	9.00	N/A	N/A	4.15	9.00	21,000	24,200	5,920	5/8"	1-5/8"	6	63.00	19.00	26.75	240
MK*34(-)-246[] { }	4.15	9.00	4.15	9.00	N/A	N/A	4.15	9.00	24,600	28,200	9,180	7/8"	1-5/8"	7	92.00	19.00	26.75	330
MK*34(-)-315[] { }	4.15	9.00	4.15	9.00	N/A	N/A	4.15	9.00	31,500	36,300	8,880	7/8"	2-1/8"	8	92.00	19.00	26.75	350
MK*44(-)-420[] { }	4.15	9.00	4.15	9.00	N/A	N/A	4.15	9.00	42,000	48,400	11,840	7/8"	2-1/8"	11	119.00	19.00	26.75	470

* For motor code and refrigerant, use "D" when AWEF rating is shown and "A" for non-regulated applications or where AWEF is N/A. () Gas defrost type K, H, G, or P. See definition to the right. [] Location for the refrigerant letter code. { } Variable Speed EC motor is standard, include "V" for Variable Speed EC control or "D" when Dual Speed control from 10 V signal will be applied.

** G Stock Units are for glide refrigerants only (consult I/O manual for complete refrigerant listing).

*** N Stock Units are for non-glide or glide refrigerants (consult I/O manual for complete refrigerant listing).

EXAMPLE FULL MODEL:

MKD36P-309QDAA is for DOE / NRCan application with R-407A, Variable Speed EC motor and includes the additional letters AA for 208/1/60 fan power and pan heater.

Available Gas Defrost Types

- (H) - HGE 3 Pipe Hot Gas with Electric Pan Heat. No defrost termination or fan delay.
- (G) - HGG 3 Pipe Hot Gas with Gas Pan Heat. No defrost termination or fan delay.
- (P) - KGE 2 Pipe Kool Gas with Electric Pan Heat.
- (K) - KGG 2 Pipe Kool Gas with Gas Pan Heat.

Key Point -

Krack evaporator capacities shown are with **midpoint** evaporating temperature to offer a consistent capacity for selection when using different refrigerants and match other Krack and Hussmann equipment.

MK/MV Series Unit Coolers

Air Defrost Specifications - CO₂ Refrigerant

AIR DEFROST - CO₂

MODEL	AWEF By Refrigerant, Motor and Application		CAPACITY (BTU/H) @ 10° F TD +25° F EVAP	AIR FLOW (CFM)	REFRIGERATION CONNECTIONS		REF CHARGE (LBS)	DIMENSIONS (IN)			SHIP WGT (LBS)
	C - CO ₂				LIQ	SUCT		L	W	H	
	{D}ual Speed	{V}ariable Speed									
	Cooler	Cooler									
MKD18A-133C{ }	9.00	9.00	13,300	2,710	1/2"	7/8"	2.4	38.00	19.00	26.75	125
MKD18A-160C{ }	9.00	9.00	16,000	2,625	1/2"	1-1/8"	3.2	38.00	19.00	26.75	130
MKD28A-266C{ }	9.00	9.00	26,600	5,420	1/2"	1-1/8"	4.0	63.00	19.00	26.75	225
MKD28A-320C{ }	9.00	9.00	32,000	5,250	5/8"	1-1/8"	4.8	63.00	19.00	26.75	240
MKD38A-393C{ }	9.00	9.00	39,300	8,130	5/8"	1-1/8"	5.6	92.00	19.00	26.75	330
MKD38A-480C{ }	9.00	9.00	48,000	7,875	5/8"	1-1/8"	6.4	92.00	19.00	26.75	350
MKD48A-640C{ }	9.00	9.00	64,000	10,500	5/8"	1-1/8"	8.8	119.00	19.00	26.75	470
MKD16A-118C{ }	9.00	9.00	11,800	2,815	1/2"	7/8"	2.4	38.00	19.00	26.75	125
MKD16A-145C{ }	9.00	9.00	14,500	2,725	1/2"	1-1/8"	3.2	38.00	19.00	26.75	130
MKD26A-236C{ }	9.00	9.00	23,600	5,630	1/2"	1-1/8"	4.0	63.00	19.00	26.75	225
MKD26A-290C{ }	9.00	9.00	29,000	5,450	1/2"	1-1/8"	4.8	63.00	19.00	26.75	240
MKD36A-354C{ }	9.00	9.00	35,400	8,445	5/8"	1-1/8"	5.6	92.00	19.00	26.75	330
MKD36A-435C{ }	9.00	9.00	43,500	8,175	5/8"	1-1/8"	6.4	92.00	19.00	26.75	350
MKD46A-580C{ }	9.00	9.00	58,000	10,900	5/8"	1-1/8"	8.8	119.00	19.00	26.75	470
MKD14A-094C{ }	9.00	9.00	9,400	3,060	1/2"	7/8"	2.4	38.00	19.00	26.75	125
MKD14A-121C{ }	9.00	9.00	12,100	2,960	1/2"	7/8"	3.2	38.00	19.00	26.75	130
MKD24A-188C{ }	9.00	9.00	18,800	6,120	1/2"	1-1/8"	4.0	63.00	19.00	26.75	225
MKD24A-242C{ }	9.00	9.00	24,200	5,920	1/2"	1-1/8"	4.8	63.00	19.00	26.75	240
MKD34A-363C{ }	9.00	9.00	36,300	8,880	5/8"	1-1/8"	6.4	92.00	19.00	26.75	350
MKD44A-484C{ }	9.00	9.00	48,400	11,840	5/8"	1-1/8"	8.8	119.00	19.00	26.75	470

{ } Variable Speed EC motor is standard, include "V" for Variable Speed EC control or "D" when Dual Speed control from 10 V signal will be applied.

EXAMPLE FULL MODEL:

MKD16A-118CVA is DOE / NRCan with CO₂, Variable Speed EC motor and includes the additional letter A for 208 V single phase fan power.

Key Point -

Krack evaporator capacities shown are with **midpoint** evaporating temperature to offer a consistent capacity for selection when using different refrigerants and match other Krack and Hussmann equipment.

MK/MV Series Unit Coolers

Electric Defrost Specifications - CO₂ Refrigerant

ELECTRIC DEFROST - CO ₂														
MODEL	AWEF By Refrigerant, Motor and Application				CAPACITY (BTU/H) @ 10° F TD -20° F EVAP	CAPACITY (BTU/H) @ 10° F TD +20° F EVAP	AIR FLOW (CFM)	REFRIGERATION CONNECTIONS		REF CHARGE (LBS)	DIMENSIONS (IN)			SHIP WGT (LBS)
	C - CO ₂							LIQ	SUCT		L	W	H	
	{D}ual Speed		{V}ariable Speed											
	Freezer	Cooler	Freezer	Cooler										
MKD16E-103C{ }	4.15	9.00	4.15	9.00	10,300	11,800	2,815	1/2"	1-1/8"	2.4	38.00	19.00	26.75	125
MKD16E-127C{ }	4.15	9.00	4.15	9.00	12,700	14,500	2,725	1/2"	1-1/8"	3.2	38.00	19.00	26.75	130
MKD26E-206C{ }	4.15	9.00	4.15	9.00	20,600	23,600	5,630	5/8"	1-1/8"	4.0	63.00	19.00	26.75	225
MKD26E-254C{ }	4.15	9.00	4.15	9.00	25,400	29,000	5,450	5/8"	1-1/8"	4.8	63.00	19.00	26.75	240
MKD36E-309C{ }	4.15	9.00	4.15	9.00	30,900	35,400	8,445	7/8"	1-1/8"	5.6	92.00	19.00	26.75	330
MKD36E-381C{ }	4.15	9.00	4.15	9.00	38,100	43,500	8,175	7/8"	1-1/8"	6.4	92.00	19.00	26.75	350
MKD46E-508C{ }	4.15	9.00	4.15	9.00	50,800	58,000	10,900	7/8"	1-1/8"	8.8	119.00	19.00	26.75	470
MKD14E-082C{ }	4.15	9.00	4.15	9.00	8,200	9,400	3,060	1/2"	1-1/8"	2.4	38.00	19.00	26.75	125
MKD14E-105C{ }	4.15	9.00	4.15	9.00	10,500	12,100	2,960	1/2"	1-1/8"	3.2	38.00	19.00	26.75	130
MKD24E-164C{ }	4.15	9.00	4.15	9.00	16,400	18,800	6,120	5/8"	1-1/8"	4.0	63.00	19.00	26.75	225
MKD24E-210C{ }	4.15	9.00	4.15	9.00	21,000	24,200	5,920	5/8"	1-1/8"	4.8	63.00	19.00	26.75	240
MKD34E-246C{ }	4.15	9.00	4.15	9.00	24,600	28,200	9,180	7/8"	1-1/8"	5.6	92.00	19.00	26.75	330
MKD34E-315C{ }	4.15	9.00	4.15	9.00	31,500	36,300	8,880	7/8"	1-1/8"	6.4	92.00	19.00	26.75	350
MKD44E-420C{ }	4.15	9.00	4.15	9.00	42,000	48,400	11,840	7/8"	1-1/8"	8.8	119.00	19.00	26.75	470

{ } Include motor code as either "D" for Dual Speed or "V" for Variable Speed EC motor to be used.

EXAMPLE FULL MODEL:

MKD26E-254CVAA is for DOE / NRCan application with CO₂, Variable Speed EC motor and includes the additional letters AA for 208 V single phase fan and defrost power.

Key Point -

Krack evaporator capacities shown are with **midpoint** evaporating temperature to offer a consistent capacity for selection when using different refrigerants and match other Krack and Hussmann equipment.

MS Series Unit Coolers

Standard Features

Medium Profile Units for Medium Size Walk-In Coolers and Freezers

The MS Series Unit Coolers have a medium profile to provide increased air flow for warehouse refrigeration applications. The MS Series is built for performance with increased BTU/H capacities and heavy-duty construction to meet your refrigeration requirements.

- Ruggedly constructed cabinets are installed pulled against the ceiling or with hanger rods sloped towards the drain connection on the end of the unit.
- Efficient draw-thru design with 20" diameter fan blades provide air throw of 60 feet.
- High efficiency 1/2 horsepower motors operate fans at 1140 RPM.
- Wide capacity range with coils with 4, 5, 6, or 7 fins per inch.
- Air defrost models for rooms operating above 34° F.
- Electric and hot gas defrost models for colder rooms and freezers.
- Mill galvanized drain pan and fan cabinet.
- Coated, corrosion-resistant wire fan guards.
- Drain pan and fan cabinet end panels are hinged for easy access and cleaning.
- Factory-wired fans and defrost controls to convenient terminal strips for field connections.
- Adjustable defrost termination and fan delay thermostat installed with electric defrost.
- Coil constructed of heavy-wall copper tube and rippled full collar aluminum fins.
- Optimized circuiting for HFC and HFO refrigerants.
- Sealed and pressurized from the factory.

MS A 2 6 E - 0390 T C K K											
Unit Type			DOE Application			Number of Fans			Fin Spacing		
MS - Super Cooler			D - DOE and NRCan A - Non-Regulated			4, 5, 6, 7 FPI			A - Air Defrost E - Electric Defrost w/Electric Pan Heat G - 3 Pipe Hot Gas w/Gas Pan Heat H - 3 Pipe Hot Gas w/Electric Pan Heat K - 2 Pipe Kool Gas w/Gas Pan Heat P - 2 Pipe Kool Gas w/Electric Pan Heat R - Heat Reclaim		
Heater Voltage			Motor Voltage			Motor Type			Refrigerant		
A - 208-230/1/60 M - 460/3/60 K - 208-230/3/60 P - 575/3/60 L - 380/3/60* U - 380/3/50			A - 208-230/1/60 M - 460/3/60 B - 115/1/60 P - 575/3/60 K - 208-230/3/60 U - 380/3/50 L - 380/3/60*			C - 3 Phase Motors** V - Variable Speed EC*** D - Variable Speed EC, Dual Speed Control			N - Stock Unit**** G - Stock Unit***** S - R-404A Q - R-407A T - R-448A P - R-507A F - R-407F R - R-449A		
						B - Glycol / Brine			BTU/H in Hundreds (00)		



Use your QR reader to reference current document version on www.krack.com.



* Contact Application Engineering for quoting.

** Inverter suitable motor for K, M, P, and U voltages.

*** Single phase motor available in motor voltage: 115/1/60, 208-230/1/60, and 208-230/3/60 (with two or more fans).

DOE or NRCan applications use Variable Speed motors with Dual Speed or Variable Speed control.

**** 'N' Stock Units are for non-glide or glide refrigerants (consult I/O manual for complete refrigerant listing).

***** 'G' Stock Units are for glide refrigerants only (consult I/O manual for complete refrigerant listing).

MS Series Unit Coolers

Air Defrost Specifications

AIR DEFROST

MODEL	COOLER AWEF BY REFRIGERANT and MOTOR				CAPACITY (BTU/H) @ 10° F TD +25° F EVAP	AIR FLOW (CFM)	REFRIGERATION CONNECTIONS		REF CHARGE (LBS)	DIMENSIONS (IN)			SHIP WGT (LBS)
	[G] STOCK UNIT**, [Q] R-407A, [F] R-407F, [T] R-448A, [R] R-449A		[N] STOCK UNIT***, [S] R-404A, [P] R-507A				LIQ	SUCT		L	W	H	
	{D}ual Speed	{V}ariable Speed	{D}ual Speed	{V}ariable Speed									
MS*14A-0150[]	N/A	9.00	N/A	9.00	15,020	4,200	5/8"	1-1/8"	5	57.00	26.63	26.30	142
MS*14A-0190[]	N/A	9.00	N/A	9.00	19,030	4,120	5/8"	1-1/8"	7	57.00	26.63	26.30	153
MS*14A-0225[]	N/A	9.00	N/A	9.00	22,470	4,000	5/8"	1-1/8"	8	57.00	26.63	26.30	171
MS*14A-0249[]	N/A	9.00	N/A	9.00	24,910	3,920	5/8"	1-1/8"	10	57.00	26.63	26.30	184
MS*16A-0184[]	N/A	9.00	N/A	9.00	18,360	4,120	5/8"	1-1/8"	5	57.00	26.63	26.30	151
MS*16A-0229[]	N/A	9.00	N/A	9.00	22,940	4,040	5/8"	1-1/8"	7	57.00	26.63	26.30	164
MS*16A-0260[]	N/A	9.00	N/A	9.00	26,010	3,940	5/8"	1-1/8"	8	57.00	26.63	26.30	182
MS*16A-0281[]	N/A	9.00	N/A	9.00	28,100	3,850	5/8"	1-1/8"	10	57.00	26.63	26.30	197
MS*17A-0199[]	N/A	9.00	N/A	9.00	19,880	4,080	5/8"	1-1/8"	5	57.00	26.63	26.30	161
MS*17A-0246[]	N/A	9.00	N/A	9.00	24,590	4,000	5/8"	1-1/8"	7	57.00	26.63	26.30	174
MS*17A-0275[]	N/A	9.00	N/A	9.00	27,500	3,900	5/8"	1-1/8"	8	57.00	26.63	26.30	194
MS*17A-0295[]	N/A	9.00	N/A	9.00	29,540	3,800	7/8"	1-1/8"	10	57.00	26.63	26.30	209
MS*24A-0300[]	N/A	9.00	N/A	9.00	30,040	8,400	7/8"	1-3/8"	10	102.00	26.63	26.30	247
MS*24A-0381[]	N/A	9.00	N/A	9.00	38,050	8,240	7/8"	1-3/8"	13	102.00	26.63	26.30	272
MS*24A-0450[]	N/A	9.00	N/A	9.00	44,950	8,000	7/8"	1-3/8"	15	102.00	26.63	26.30	301
MS*24A-0498[]	N/A	9.00	N/A	9.00	49,820	7,840	7/8"	1-3/8"	18	102.00	26.63	26.30	326
MS*26A-0367[]	N/A	9.00	N/A	9.00	36,710	8,240	7/8"	1-3/8"	10	102.00	26.63	26.30	269
MS*26A-0459[]	N/A	9.00	N/A	9.00	45,880	8,080	7/8"	1-3/8"	13	102.00	26.63	26.30	297
MS*26A-0520[]	N/A	9.00	N/A	9.00	52,030	7,880	7/8"	1-3/8"	15	102.00	26.63	26.30	328
MS*26A-0562[]	N/A	9.00	N/A	9.00	56,190	7,700	7/8"	1-3/8"	18	102.00	26.63	26.30	355
MS*27A-0398[]	N/A	9.00	N/A	9.00	39,760	8,160	7/8"	1-3/8"	10	102.00	26.63	26.30	309
MS*27A-0492[]	N/A	9.00	N/A	9.00	49,180	8,000	7/8"	1-3/8"	13	102.00	26.63	26.30	342
MS*27A-0550[]	N/A	9.00	N/A	9.00	55,000	7,800	7/8"	1-3/8"	15	102.00	26.63	26.30	370
MS*27A-0591[]	N/A	9.00	N/A	9.00	59,080	7,600	7/8"	1-3/8"	18	102.00	26.63	26.30	419
MS*34A-0524[]	N/A	9.00	N/A	9.00	52,400	12,135	7/8"	1-5/8"	16	129.00	26.63	26.30	369
MS*34A-0623[]	N/A	9.00	N/A	9.00	62,250	11,505	7/8"	1-5/8"	20	129.00	26.63	26.30	402
MS*34A-0708[]	N/A	9.00	N/A	9.00	70,820	11,325	1-3/8"	1-5/8"	23	129.00	26.63	26.30	433
MS*36A-0626[]	N/A	9.00	N/A	9.00	62,610	11,895	7/8"	1-5/8"	16	129.00	26.63	26.30	402
MS*36A-0712[]	N/A	9.00	N/A	9.00	71,180	11,040	7/8"	1-5/8"	20	129.00	26.63	26.30	438
MS*36A-0806[]	N/A	9.00	N/A	9.00	80,620	10,995	1-3/8"	1-5/8"	26	129.00	26.63	26.30	472
MS*37A-0663[]	N/A	9.00	N/A	9.00	66,340	11,700	7/8"	1-5/8"	16	129.00	26.63	26.30	419
MS*37A-0755[]	N/A	9.00	N/A	9.00	75,540	10,995	7/8"	1-5/8"	20	129.00	26.63	26.30	456
MS*37A-0849[]	N/A	9.00	N/A	9.00	84,870	10,905	1-3/8"	1-5/8"	23	129.00	26.63	26.30	492
MS*44A-0699[]	N/A	9.00	N/A	9.00	69,870	16,180	1-3/8"	2-1/8"	21	168.00	26.63	26.30	493
MS*44A-0830[]	N/A	9.00	N/A	9.00	83,000	15,340	1-3/8"	2-1/8"	26	168.00	26.63	26.30	528
MS*44A-0944[]	N/A	9.00	N/A	9.00	94,430	15,100	1-3/8"	2-1/8"	31	168.00	26.63	26.30	578
MS*46A-0835[]	N/A	9.00	N/A	9.00	83,480	15,860	1-3/8"	2-1/8"	21	168.00	26.63	26.30	538
MS*46A-0949[]	N/A	9.00	N/A	9.00	94,900	14,720	1-3/8"	2-1/8"	26	168.00	26.63	26.30	576
MS*46A-1075[]	N/A	9.00	N/A	9.00	107,490	14,660	1-3/8"	2-1/8"	31	168.00	26.63	26.30	630
MS*47A-0885[]	N/A	9.00	N/A	9.00	88,450	15,600	1-3/8"	2-1/8"	21	168.00	26.63	26.30	560
MS*47A-1007[]	N/A	9.00	N/A	9.00	100,720	14,660	1-3/8"	2-1/8"	26	168.00	26.63	26.30	600
MS*47A-1132[]	N/A	9.00	N/A	9.00	113,170	14,540	1-3/8"	2-1/8"	31	168.00	26.63	26.30	656

* For motor code and refrigerant, use "D" when AWEF rating is shown and "A" for non-regulated applications or where AWEF is N/A. De-rate capacity 12% for 50 Hertz operation with 3 phase motors only.
 [] Location for the refrigerant letter code. { } 3 phase motor C is standard for non-regulated applications, include "V" for Variable Speed EC control or "D" when Dual Speed control of the variable speed motor will be from a fixed 10 V signal.

** G Stock Units are for glide refrigerants only (consult I/O manual for complete refrigerant listing).

*** N Stock Units are for non-glide or glide refrigerants (consult I/O manual for complete refrigerant listing).

EXAMPLE FULL MODEL:

MSD36A-0712TVK is DOE / NRCan application with R-448A, Variable Speed EC motor and 208/3/60 power.

Key Point -

Krack evaporator capacities shown are with **midpoint** evaporating temperature to offer a consistent capacity for selection when using different refrigerants and match other Krack and Hussmann equipment.

MS Series Unit Coolers

Electric and Hot Gas Defrost Specifications

* For motor code and refrigerant, use "D" when AWEF rating is shown and "A" for non-regulated applications or where AWEF is N/A. De-rate capacity 12% for 50 Hertz operation with 3 phase motors only. [] Location for the refrigerant letter code. { } 3 phase motor C is standard for non-regulated applications, include "V" for Variable Speed EC control or "D" when Dual Speed control of the variable speed motor will be from a fixed 10 V signal.

** G Stock Units are for glide refrigerants only (consult I/O manual for complete refrigerant listing).

*** N Stock Units are for non-glide or glide refrigerants (consult I/O manual for complete refrigerant listing).

EXAMPLE FULL MODEL:

MSD36E-05320DKK is DOE / NRCan with R-407A, Variable Speed EC motor with Dual Speed control and 208/3/60 power for fans and defrost.

* For motor code and refrigerant, use "D" when AWEF rating is shown and "A" for non-regulated applications or where AWEF is N/A. De-rate capacity 12% for 50 Hertz operation with 3 phase motors only. [] Gas defrost type K, H, G, or P. See definition below. [] Location for the refrigerant letter code. { } Variable Speed EC motor is standard, include "V" for Variable Speed control or "D" when Dual Speed control from 10 V signal will be applied.

** G Stock Units are for glide refrigerants only (consult I/O manual for complete refrigerant listing).

*** N Stock Units are for non-glide or glide refrigerants (consult I/O manual for complete refrigerant listing).

EXAMPLE FULL MODEL:

MSD36P-0685QAAA is for DOE / NRCan application with R-407A, Variable Speed EC motor with 2 speed control and includes the additional letters A for 208 V single phase power.

ELECTRIC DEFROST																			
MODEL	AWEF BY REFRIGERANT, MOTOR, and APPLICATION								CAPACITY (BTU/H) @ 10° F TD -20° F EVAP	CAPACITY (BTU/H) @ 10° F TD +20° F EVAP	AIR FLOW (CFM)	REFRIGERATION CONNECTIONS		REF CHARGE (LBS)	DIMENSIONS (IN)			SHIP WGT (LBS)	
	[G] STOCK UNIT**, [Q] R-407A, [F] R-407F, [T] R-448A, [R] R-449A				[N] STOCK UNIT***, [S] R-404A, [P] R-507A							LIQ	SUCT		L	W	H		
	{D}ual Speed		{V}ariable Speed		{D}ual Speed		{V}ariable Speed												
	Freezer	Cooler	Freezer	Cooler	Freezer	Cooler	Freezer	Cooler											
MS*14E-0162[] { }	N/A	N/A	4.15	9.00	N/A	N/A	4.15	9.00	16,180	19,030	4,120	5/8"	1-1/8"	7	57.00	26.63	26.25	174	
MS*14E-0212[] { }	N/A	N/A	4.15	9.00	N/A	N/A	4.15	9.00	21,170	24,910	3,920	7/8"	1-1/8"	10	57.00	26.63	26.25	208	
MS*15E-0178[] { }	N/A	N/A	4.15	9.00	N/A	N/A	4.15	9.00	17,790	20,930	4,060	5/8"	1-1/8"	7	57.00	26.63	26.25	186	
MS*15E-0223[] { }	N/A	N/A	4.15	9.00	N/A	N/A	4.15	9.00	22,260	26,190	3,890	7/8"	1-1/8"	10	57.00	26.63	26.25	221	
MS*16E-0195[] { }	N/A	N/A	4.15	9.00	N/A	N/A	4.15	9.00	19,500	22,940	4,040	5/8"	1-1/8"	7	57.00	26.63	26.25	198	
MS*16E-0239[] { }	N/A	N/A	4.15	9.00	N/A	N/A	4.15	9.00	23,890	28,100	3,850	7/8"	1-1/8"	10	57.00	26.63	26.25	236	
MS*24E-0323[] { }	N/A	N/A	4.15	9.00	N/A	N/A	4.15	9.00	32,340	38,050	8,240	7/8"	1-3/8"	13	102.00	26.63	26.25	297	
MS*24E-0424[] { }	N/A	N/A	4.15	9.00	N/A	N/A	4.15	9.00	42,350	49,820	7,840	7/8"	1-3/8"	18	102.00	26.63	26.25	357	
MS*25E-0356[] { }	N/A	N/A	4.15	9.00	N/A	N/A	4.15	9.00	35,580	41,860	8,120	7/8"	1-3/8"	13	102.00	26.63	26.25	317	
MS*25E-0444[] { }	N/A	N/A	4.15	9.00	N/A	N/A	4.15	9.00	44,450	52,290	7,780	7/8"	1-3/8"	18	102.00	26.63	26.25	381	
MS*26E-0390[] { }	N/A	N/A	4.15	9.00	N/A	N/A	4.15	9.00	39,000	45,880	8,080	7/8"	1-3/8"	13	102.00	26.63	26.25	337	
MS*26E-0478[] { }	N/A	N/A	4.15	9.00	N/A	N/A	4.15	9.00	47,760	56,190	7,700	7/8"	1-3/8"	18	102.00	26.63	26.25	406	
MS*34E-0445[] { }	N/A	N/A	4.15	9.00	N/A	N/A	4.15	9.00	44,540	52,400	12,135	7/8"	1-5/8"	16	129.00	26.63	26.25	398	
MS*34E-0602[] { }	N/A	N/A	4.15	9.00	N/A	N/A	4.15	9.00	60,200	70,820	11,325	1-3/8"	1-5/8"	23	129.00	26.63	26.25	470	
MS*35E-0502[] { }	N/A	N/A	4.15	9.00	N/A	N/A	4.15	9.00	50,180	59,030	12,015	7/8"	1-5/8"	16	129.00	26.63	26.25	425	
MS*35E-0643[] { }	N/A	N/A	4.15	9.00	N/A	N/A	4.15	9.00	64,330	75,680	11,205	1-3/8"	1-5/8"	23	129.00	26.63	26.25	502	
MS*36E-0532[] { }	N/A	N/A	4.15	9.00	N/A	N/A	4.15	9.00	53,220	62,610	11,895	7/8"	1-5/8"	16	129.00	26.63	26.25	452	
MS*36E-0685[] { }	N/A	N/A	4.15	9.00	N/A	N/A	4.15	9.00	68,530	80,620	10,995	1-3/8"	1-5/8"	23	129.00	26.63	26.25	534	
MS*44E-0594[] { }	N/A	N/A	4.15	9.00	N/A	N/A	4.15	9.00	59,390	69,870	16,180	1-3/8"	2-1/8"	21	168.00	26.63	26.25	541	
MS*44E-0803[] { }	N/A	N/A	4.15	9.00	N/A	N/A	4.15	9.00	80,270	94,430	15,100	1-3/8"	2-1/8"	31	168.00	26.63	26.25	616	
MS*45E-0669[] { }	N/A	N/A	4.15	9.00	N/A	N/A	4.15	9.00	66,900	78,710	16,020	1-3/8"	2-1/8"	21	168.00	26.63	26.25	578	
MS*45E-0858[] { }	N/A	N/A	4.15	9.00	N/A	N/A	4.15	9.00	85,770	100,910	14,940	1-3/8"	2-1/8"	31	168.00	26.63	26.25	658	
MS*46E-0710[] { }	N/A	N/A	4.15	9.00	N/A	N/A	4.15	9.00	70,960	83,480	15,860	1-3/8"	2-1/8"	21	168.00	26.63	26.25	615	
MS*46E-0914[] { }	N/A	N/A	4.15	9.00	N/A	N/A	4.15	9.00	91,370	107,490	14,660	1-3/8"	2-1/8"	31	168.00	26.63	26.25	700	

HOT GAS DEFROST - MEDIUM / LOW TEMPERATURE																			
MODEL	AWEF BY REFRIGERANT, MOTOR, and APPLICATION								CAPACITY (BTU/H) @ 10° F TD -20° F EVAP	CAPACITY (BTU/H) @ 10° F TD +20° F EVAP	AIR FLOW (CFM)	REFRIGERATION CONNECTIONS		REF CHARGE (LBS)	DIMENSIONS (IN)			SHIP WGT (LBS)	
	[G] STOCK UNIT**, [Q] R-407A, [F] R-407F, [T] R-448A, [R] R-449A				[N] STOCK UNIT***, [S] R-404A, [P] R-507A							LIQ	SUCT		L	W	H		
	{D}ual Speed		{V}ariable Speed		{D}ual Speed		{V}ariable Speed												
	Freezer	Cooler	Freezer	Cooler	Freezer	Cooler	Freezer	Cooler											
MS*14(-)-0162[] { }	N/A	N/A	4.15	9.00	N/A	N/A	4.15	9.00	16,180	19,030	4,120	5/8"	1-1/8"	7	57.00	26.63	26.25	174	
MS*14(-)-0212[] { }	N/A	N/A	4.15	9.00	N/A	N/A	4.15	9.00	21,170	24,910	3,920	7/8"	1-1/8"	10	57.00	26.63	26.25	208	
MS*15(-)-0178[] { }	N/A	N/A	4.15	9.00	N/A	N/A	4.15	9.00	17,790	20,930	4,060	5/8"	1-1/8"	7	57.00	26.63	26.25	186	
MS*15(-)-0223[] { }	N/A	N/A	4.15	9.00	N/A	N/A	4.15	9.00	22,260	26,190	3,890	7/8"	1-1/8"	10	57.00	26.63	26.25	221	
MS*16(-)-0195[] { }	N/A	N/A	4.15	9.00	N/A	N/A	4.15	9.00	19,500	22,940	4,040	5/8"	1-1/8"	7	57.00	26.63	26.25	198	
MS*16(-)-0239[] { }	N/A	N/A	4.15	9.00	N/A	N/A	4.15	9.00	23,890	28,100	3,850	7/8"	1-1/8"	10	57.00	26.63	26.25	236	
MS*24(-)-0323[] { }	N/A	N/A	4.15	9.00	N/A	N/A	4.15	9.00	32,340	38,050	8,240	7/8"	1-3/8"	13	102.00	26.63	26.25	297	
MS*24(-)-0424[] { }	N/A	N/A	4.15	9.00	N/A	N/A	4.15	9.00	42,350	49,820	7,840	7/8"	1-3/8"	18	102.00	26.63	26.25	357	
MS*25(-)-0356[] { }	N/A	N/A	4.15	9.00	N/A	N/A	4.15	9.00	35,580	41,860	8,120	7/8"	1-3/8"	13	102.00	26.63	26.25	317	
MS*25(-)-0444[] { }	N/A	N/A	4.15	9.00	N/A	N/A	4.15	9.00	44,450	52,290	7,780	7/8"	1-3/8"	18	102.00	26.63	26.25	381	
MS*26(-)-0390[] { }	N/A	N/A	4.15	9.00	N/A	N/A	4.15	9.00	39,000	45,880	8,080	7/8"	1-3/8"	13	102.00	26.63	26.25	337	
MS*26(-)-0478[] { }	N/A	N/A	4.15	9.00	N/A	N/A	4.15	9.00	47,760	56,190	7,700	7/8"	1-3/8"	18	102.00	26.63	26.25	406	
MS*34(-)-0445[] { }	N/A	N/A	4.15	9.00	N/A	N/A	4.15	9.00	44,540	52,400	12,135	7/8"	1-5/8"	16	129.00	26.63	26.25	398	
MS*34(-)-0602[] { }	N/A	N/A	4.15	9.00	N/A	N/A	4.15	9.00	60,200	70,820	11,325	1-3/8"	1-5/8"	23	129.00	26.63	26.25	470	
MS*35(-)-0502[] { }	N/A	N/A	4.15	9.00	N/A	N/A	4.15	9.00	50,180	59,030	12,015	7/8"	1-5/8"	16	129.00	26.63	26.25	425	
MS*35(-)-0643[] { }	N/A	N/A	4.15	9.00	N/A	N/A	4.15	9.00	64,330	75,680	11,205	1-3/8"	1-5/8"	23	129.00	26.63	26.25	502	
MS*36(-)-0532[] { }	N/A	N/A	4.15	9.00	N/A	N/A	4.15	9.00	53,220	62,610	11,895	7/8"	1-5/8"	16	129.00	26.63	26.25	452	
MS*36(-)-0685[] { }	N/A	N/A	4.15	9.00	N/A	N/A	4.15	9.00	68,530	80,620	10,995	1-3/8"	1-5/8"	23	129.00	26.63	26.25	534	
MS*44(-)-0594[] { }	N/A	N/A	4.15	9.00	N/A	N/A	4.15	9.00	59,390	69,870	16,180	1-3/8"	2-1/8"	21	168.00	26.63	26.25	541	
MS*44(-)-0803[] { }	N/A	N/A	4.15	9.00	N/A	N/A	4.15	9.00	80,270	94,430	15,100	1-3/8"	2-1/8"	31	168.00	26.63	26.25	616	
MS*45(-)-0669[] { }	N/A	N/A	4.15	9.00	N/A	N/A	4.15	9.00	66,900	78,710	16,020	1-3/8"	2-1/8"	21	168.00	26.63	26.25	578	
MS*45(-)-0858[] { }	N/A	N/A	4.15	9.00	N/A	N/A	4.15	9.00	85,770	100,910	14,940	1-3/8"	2-1/8"	31	168.00	26.63	26.25	658	
MS*46(-)-0710[] { }	N/A	N/A	4.15	9.00	N/A	N/A	4.15	9.00	70,960	83,480	15,860	1-3/8"	2-1/8"	21	168.00	26.63	26.25	615	
MS*46(-)-0914[] { }	N/A	N/A	4.15	9.00	N/A	N/A	4.15	9.00	91,370	107,490	14,660	1-3/8"	2-1/8"	31	168.00	26.63	26.25	700	

Available Gas Defrost Types

- (H) - HGE 3 Pipe Hot Gas with Electric Pan Heat. No defrost termination or fan delay.
- (G) - HGG 3 Pipe Hot Gas with Gas Pan Heat. No defrost termination or fan delay.
- (P) - KGE 2 Pipe Kool Gas with Electric Pan Heat.
- (K) - KGG 2 Pipe Kool Gas with Gas Pan Heat.



Key Point - Krack evaporator capacities shown are with **midpoint** evaporating temperature to offer a consistent capacity for selection when using different refrigerants and match other Krack and Hussmann equipment.

SM/SV Series Unit Coolers

Standard Features

SM SERIES -

Ideal for Warehouse Coolers or Freezers with a Wide Range of Capacities.

- Ruggedly constructed cabinets are installed pulled against the ceiling or with hanger rods sloped towards the drain connection on the end of the unit.
- Efficient draw-thru design with 30" diameter aluminum fan blades provide air throw of 60 feet.
- High efficiency 1 horsepower 3 phase motors operate fans at 850 RPM.
- Wide capacity range with coils with 4, 5, 6, or 7 fins per inch.
- Air defrost models for rooms operating above 34° F.
- Electric and hot gas defrost models for colder rooms and freezers.
- Mill galvanized drain pan and fan cabinet.
- Coated, corrosion-resistant wire fan guards.
- Insulated drain pan on electric and gas defrost models.
- Drain pan and fan cabinet end panels are hinged for easy access and cleaning.
- Factory-wired fans and defrost controls to convenient terminal strips for field connections.
- Adjustable defrost termination and fan delay thermostat installed with electric defrost.
- Coil constructed of heavy-wall copper tube and rippled full collar aluminum fins.
- Optimized circuiting for HFC and HFO refrigerants.
- Sealed and pressurized from the factory.

SV SERIES -

Designed to Deliver Low Temperature Air at High Velocity in Freezers.

- Ruggedly constructed cabinets are installed pulled against the ceiling or with hanger rods sloped towards the drain connection on the end of the unit.
- Efficient draw-thru design with 30" diameter aluminum fan blades provide air throw of 80 feet.
- High efficiency 1-1/2 horsepower 3 phase motors operating fans at 1140 RPM.
- Wide capacity range with coils with 4, 5, or 6 fins per inch.
- Electric and hot gas defrost models for low temperature rooms.
- Mill galvanized drain pan and fan cabinet.
- Coated, corrosion-resistant wire fan guards.
- Insulated drain pan on electric and gas defrost models.
- Drain pan and fan cabinet end panels are hinged for easy access and cleaning.
- Factory-wired fans and defrost controls to convenient terminal strips for field connections.
- Adjustable defrost termination and fan delay thermostat installed with electric defrost.
- Coil constructed of heavy-wall copper tube and rippled full collar aluminum fins.
- Optimized circuiting for HFC and HFO refrigerants.
- Sealed and pressurized from the factory.

SM/SV Series Unit Coolers

Model Key

SM A 2 5 E - 0842 T C K K

Unit Type

SM - Space Master
SV - High Velocity



DOE Application

D - DOE and NRCan
A - Non-Regulated

Number of Fans

Fin Spacing

4, 5, 6, 7 FPI

Type of Defrost

A - Air Defrost
E - Electric Defrost w/Electric Pan Heat
G - 3 Pipe Hot Gas w/Gas Pan Heat
H - 3 Pipe Hot Gas w/Electric Pan Heat
K - 2 Pipe Kool Gas w/Gas Pan Heat
P - 2 Pipe Kool Gas w/Electric Pan Heat
R - Heat Reclaim

Heater Voltage

K - 208-230/3/60
M - 460/3/60
P - 575/3/60
U - 380/3/50
L - 380/3/60*

Motor Voltage

K - 208-230/3/60
M - 460/3/60
P - 575/3/60
U - 380/3/50
L - 380/3/60*

Motor Type***

C - 3 Phase Motors**
V - Variable Speed EC, 3 Phase
D - Variable Speed EC, Dual Speed Control

Refrigerant

N - Stock Unit****	G - Stock Unit*****
S - R-404A	Q - R-407A T - R-448A
P - R-507A	F - R-407F R - R-449A

B - Glycol / Brine

BTU/H in Hundreds (00)



* Contact application engineering for quoting.

** Inverter suitable motor for K, M, P, and U voltages with 3 phase motors.

*** Available in K, M, U, and L motor voltages. DOE and NRCan applications with Dual Speed or Variable Speed EC control.

**** N Stock Units are for non-glide or glide refrigerants (consult I/O manual for complete refrigerant listing).

***** G Stock Units are for glide refrigerants only (consult I/O manual for complete refrigerant listing).

Use your QR reader to
reference current document
version on www.krack.com.



SM/SV Series Unit Coolers

Air Defrost Specifications

AIR DEFROST													
MODEL	COOLER AWEF BY REFRIGERANT and MOTOR*				CAPACITY (BTU/H) @ 10° F TD +25° F EVAP	AIR FLOW (CFM)	REFRIGERATION CONNECTIONS		REF CHARGE (LBS)	DIMENSIONS (IN)			SHIP WGT (LBS)
	[G] STOCK UNIT**, [Q] R-407A, [F] R-407F, [T] R-448A, [R] R-449A		[N] STOCK UNIT***, [S] R-404A, [P] R-507A				LIQ	SUCT		L	W	H	
	{D}ual Speed	{V}ariable Speed	{D}ual Speed	{V}ariable Speed									
SM*14A-0314[] []	N/A	9.00	N/A	9.00	31,400	9,860	N/A	1-3/8"	10	77.0	38.5	40.5	410
SM*16A-0378[] []	9.00	9.00	N/A	9.00	37,800	8,980	N/A	1-3/8"	10	77.0	38.5	40.5	445
SM*17A-0410[] []	9.00	9.00	N/A	9.00	41,000	8,550	N/A	1-3/8"	10	77.0	38.5	40.5	465
SM*14A-0403[] []	N/A	9.00	N/A	9.00	40,300	9,690	N/A	1-5/8"	13	77.0	38.5	40.5	430
SM*16A-0463[] []	9.00	9.00	N/A	9.00	46,300	8,810	N/A	1-5/8"	13	77.0	38.5	40.5	470
SM*17A-0503[] []	9.00	9.00	N/A	9.00	50,300	8,390	N/A	1-5/8"	13	77.0	38.5	40.5	490
SM*14A-0469[] []	9.00	9.00	N/A	9.00	46,900	9,510	N/A	1-5/8"	16	77.0	38.5	40.5	450
SM*16A-0538[] []	9.00	9.00	9.00	9.00	53,800	8,480	N/A	1-5/8"	16	77.0	38.5	40.5	495
SM*17A-0585[] []	9.00	9.00	9.00	9.00	58,500	8,100	N/A	1-5/8"	16	77.0	38.5	40.5	515
SM*14A-0526[] []	9.00	9.00	N/A	9.00	52,600	9,330	N/A	2-1/8"	19	77.0	38.5	40.5	484
SM*16A-0604[] []	9.00	9.00	9.00	9.00	60,400	8,400	N/A	2-1/8"	19	77.0	38.5	40.5	530
SM*17A-0657[] []	9.00	9.00	9.00	9.00	65,700	8,000	N/A	2-1/8"	19	77.0	38.5	40.5	550
SM*24A-0619[] []	N/A	9.00	N/A	9.00	61,900	19,700	N/A	2-1/8"	18	134.3	38.5	40.5	830
SM*26A-0746[] []	N/A	9.00	N/A	9.00	74,600	17,900	N/A	2-1/8"	18	134.3	38.5	40.5	885
SM*27A-0811[] []	N/A	9.00	N/A	9.00	81,100	17,100	N/A	2-1/8"	18	134.3	38.5	40.5	940
SM*24A-0797[] []	N/A	9.00	N/A	9.00	79,700	19,380	N/A	2-5/8"	24	134.3	38.5	40.5	836
SM*26A-0915[] []	9.00	9.00	N/A	9.00	91,500	17,600	N/A	2-5/8"	24	134.3	38.5	40.5	895
SM*27A-0995[] []	9.00	9.00	N/A	9.00	99,500	16,800	N/A	2-5/8"	24	134.3	38.5	40.5	950
SM*24A-0882[] []	N/A	9.00	N/A	9.00	88,200	18,890	N/A	2-5/8"	30	134.3	38.5	40.5	845
SM*26A-1063[] []	9.00	9.00	N/A	9.00	106,300	16,900	N/A	2-5/8"	30	134.3	38.5	40.5	905
SM*27A-1155[] []	9.00	9.00	N/A	9.00	115,500	16,100	N/A	2-5/8"	30	134.3	38.5	40.5	960
SM*24A-1038[] []	9.00	9.00	N/A	9.00	103,800	18,400	N/A	2-5/8"	36	134.3	38.5	40.5	858
SM*26A-1192[] []	9.00	9.00	N/A	9.00	119,200	16,800	N/A	2-5/8"	36	134.3	38.5	40.5	915
SM*27A-1296[] []	9.00	9.00	9.00	9.00	129,600	15,900	N/A	2-5/8"	36	134.3	38.5	40.5	975
SM*34A-1123[] []	N/A	9.00	N/A	9.00	112,300	28,600	N/A	2-5/8"	33	134.3	38.5	51.0	960
SM*36A-1289[] []	N/A	9.00	N/A	9.00	128,900	24,900	N/A	2-5/8"	33	134.3	38.5	51.0	1,070
SM*37A-1402[] []	N/A	9.00	N/A	9.00	140,200	24,700	N/A	2-5/8"	33	134.3	38.5	51.0	1,090
SM*34A-1243[] []	N/A	9.00	N/A	9.00	124,300	28,000	N/A	2-5/8"	40	134.3	38.5	51.0	1,034
SM*36A-1498[] []	9.00	9.00	N/A	9.00	149,800	24,600	N/A	2-5/8"	40	134.3	38.5	51.0	1,156
SM*37A-1628[] []	9.00	9.00	N/A	9.00	162,800	23,700	N/A	2-5/8"	40	134.3	38.5	51.0	1,175
SM*34A-1463[] []	9.00	9.00	N/A	9.00	146,300	27,400	N/A	2-5/8"	48	134.3	38.5	51.0	1,100
SM*36A-1678[] []	9.00	9.00	N/A	9.00	167,800	24,400	N/A	2-5/8"	48	134.3	38.5	51.0	1,235
SM*37A-1824[] []	9.00	9.00	N/A	9.00	182,400	23,500	N/A	2-5/8"	48	134.3	38.5	51.0	1,255
SM*44A-1532[] []	N/A	9.00	N/A	9.00	153,200	33,900	N/A	2-5/8"	42	173.0	38.5	52.5	1,280
SM*46A-1846[] []	N/A	9.00	N/A	9.00	184,600	33,200	N/A	2-5/8"	42	173.0	38.5	52.5	1,430
SM*47A-1920[] []	9.00	9.00	N/A	9.00	192,000	32,930	N/A	2-5/8"	42	173.0	38.5	52.5	1,455
SM*44A-1829[] []	N/A	9.00	N/A	9.00	182,900	33,400	N/A	2-5/8"	52	173.0	38.5	52.5	1,380
SM*46A-2204[] []	9.00	9.00	N/A	9.00	220,400	32,800	N/A	2-5/8"	52	173.0	38.5	52.5	1,540
SM*47A-2281[] []	9.00	9.00	N/A	9.00	228,100	31,600	N/A	2-5/8"	52	173.0	38.5	52.5	1,565
SM*44A-2015[] []	9.00	9.00	N/A	9.00	201,500	33,000	N/A	2-5/8"	62	173.0	38.5	52.5	1,470
SM*46A-2428[] []	9.00	9.00	N/A	9.00	242,800	32,530	N/A	2-5/8"	62	173.0	38.5	52.5	1,645
SM*47A-2581[] []	9.00	9.00	9.00	9.00	258,100	31,330	N/A	2-5/8"	62	173.0	38.5	52.5	1,670

* For motor code and refrigerant, use "D" when AWEF rating is shown and "A" for non-regulated applications or where AWEF is N/A. Include fan motor heat of 4000 BTU/H per fan for SM and 6600 BTU/H per fan for SV models in room load calculations. De-rate capacity 12% for 50 Hertz operation with 3 phase motors only. [] Location for the refrigerant letter code. { } 3 phase motor C is standard for non-regulated applications, include "V" for Variable Speed EC control or "D" when Dual Speed control of the variable speed motor will be from a fixed 10 V signal.

** Consult I/O manual for complete refrigerant listing.

EXAMPLE FULL MODEL:

SMA36A-1498TCK is non-regulated application with R-448A, three phase motors and 208/3/60 power.

Key Point -

Krack evaporator capacities shown are with **midpoint** evaporating temperature to offer a consistent capacity for selection when using different refrigerants and match other Krack and Hussmann equipment.

SM/SV Series Unit Coolers

Electric Defrost Specifications

* For motor code and refrigerant, use "D" when AWEF rating is shown and "A" for non-regulated applications or where AWEF is N/A. Include fan motor heat of 4000 BTU/H per fan in room load calculations. De-rate capacity 12% for 50 Hertz operation with 3 phase motors only. **Four fan SM/SV models for low temperature requires two expansion valves.** [] Location for the refrigerant letter code. { } 3 phase motor C is standard for non-regulated applications, include "V" for Variable Speed EC control or "D" when Dual Speed control of the variable speed motor will be from a fixed 10 V signal.

** G Stock Units are for glide refrigerants only (consult I/O manual for complete refrigerant listing).

*** N Stock Units are for non-glide or glide refrigerants (consult I/O manual for complete refrigerant listing).

¥ Unit requires two (2) expansion valves. Face split is included in the base model price. Face split is only required for 4- fan, 6-row low temp applications.

EXAMPLE FULL MODEL:
SMD36E-1225SVK is DOE / NRCan with R-404A, variable speed motors and 208/3/60 power.

* For motor code and refrigerant, use "D" when AWEF rating is shown and "A" for non-regulated applications or where AWEF is N/A. **SV models are available for use in non-regulated applications.** 3 phase motors can be upgraded to Variable Speed EC motors for energy savings. Include fan motor heat of 6600 BTU/H per fan in room load calculations. De-rate capacity 12% for 50 Hertz operation with 3 phase motors only. **Four fan SM/SV models for low temperature requires two expansion valves.** [] Location for the refrigerant letter code. { } 3 phase motor C is standard for non-regulated applications, include "V" for Variable Speed EC controller "D" when Dual Speed control of the variable speed motor will be from a fixed 10 V signal.

** G Stock Units are for glide refrigerants only (consult I/O manual for complete refrigerant listing).

*** N Stock Units are for non-glide or glide refrigerants (consult I/O manual for complete refrigerant listing).

¥ Unit requires two (2) expansion valves. Face split is included in the base model price. Face split is only required for 4- fan, 6-row low temp applications.

EXAMPLE FULL MODEL:
SMD36E-1225SVK is DOE / NRCan with R-404A, variable speed motors and 208/3/60 power.

MEDIUM TEMPERATURE

SM MODEL	AWEF BY REFRIGERANT, MOTOR, and APPLICATION								CAPACITY (BTU/H) @ 10° F TD -20° F EVAP	CAPACITY (BTU/H) @ 10° F TD +20° F EVAP	AIR FLOW (CFM)	REFRIGERATION CONNECTIONS		REF CHARGE (LBS)	DIMENSIONS (IN)			SHIP WGT (LBS)
	[G] STOCK UNIT**, [Q] R-407A, [F] R-407F, [T] R-448A, [R] R-449A				[N] STOCK UNIT***, [S] R-404A, [P] R-507A							LIQ	SUCT		L	W	H	
	{D}ual Speed	{V}ariable Speed	{D}ual Speed	{V}ariable Speed	{D}ual Speed	{V}ariable Speed	{D}ual Speed	{V}ariable Speed										
SM*14E-0384[] { }	4.15	N/A	4.15	9.00	N/A	N/A	4.15	9.00	38,400	40,300	9,690	N/A	1-5/8"	13	77.00	38.50	40.50	440
SM*15E-0426[] { }	4.15	9.00	4.15	9.00	N/A	N/A	4.15	9.00	42,600	44,700	6,250	N/A	1-5/8"	13	77.00	38.50	40.50	450
SM*16E-0440[] { }	4.15	9.00	4.15	9.00	N/A	N/A	4.15	9.00	44,400	46,300	8,810	N/A	1-5/8"	13	77.00	38.50	40.50	470
SM*14E-0501[] { }	4.15	9.00	4.15	9.00	N/A	N/A	4.15	9.00	50,100	52,600	9,330	N/A	2-1/8"	19	77.00	38.50	40.50	495
SM*15E-0556[] { }	4.15	9.00	4.15	9.00	N/A	N/A	4.15	9.00	55,600	58,400	8,900	N/A	2-1/8"	19	77.00	38.50	40.50	505
SM*16E-0574[] { }	4.15	9.00	4.15	9.00	N/A	N/A	4.15	9.00	57,400	60,400	8,400	N/A	2-1/8"	19	77.00	38.50	40.50	530
SM*24E-0759[] { }	4.15	N/A	4.15	9.00	N/A	N/A	4.15	9.00	75,900	79,700	19,380	N/A	2-1/8"	24	134.30	38.50	40.50	836
SM*25E-0842[] { }	4.15	9.00	4.15	9.00	N/A	N/A	4.15	9.00	84,200	88,400	18,500	N/A	2-1/8"	24	134.30	38.50	40.50	874
SM*26E-0869[] { }	4.15	9.00	4.15	9.00	N/A	N/A	4.15	9.00	86,900	91,500	17,600	N/A	2-1/8"	24	134.30	38.50	40.50	912
SM*24E-0989[] { }	4.15	9.00	4.15	9.00	N/A	N/A	4.15	9.00	98,900	103,800	18,400	N/A	2-5/8"	36	134.30	38.50	40.50	860
SM*25E-1097[] { }	4.15	9.00	4.15	9.00	N/A	N/A	4.15	9.00	109,700	115,200	17,600	N/A	2-5/8"	36	134.30	38.50	40.50	900
SM*26E-1132[] { }	4.15	9.00	4.15	9.00	N/A	N/A	4.15	9.00	113,200	119,200	16,800	N/A	2-5/8"	36	134.30	38.50	40.50	920
SM*34E-1070[] { }	4.15	N/A	4.15	9.00	N/A	N/A	4.15	9.00	107,000	112,300	28,600	N/A	2-5/8"	33	134.30	38.50	51.00	1,030
SM*35E-1186[] { }	4.15	9.00	4.15	9.00	N/A	N/A	4.15	9.00	118,600	124,500	27,300	N/A	2-5/8"	33	134.30	38.50	51.00	1,050
SM*36E-1225[] { }	4.15	N/A	4.15	9.00	N/A	N/A	4.15	9.00	122,500	128,900	24,900	N/A	2-5/8"	33	134.30	38.50	51.00	1,060
SM*34E-1393[] { }	4.15	9.00	4.15	9.00	N/A	N/A	4.15	9.00	139,300	146,300	27,400	N/A	2-5/8"	48	134.30	38.50	51.00	1,195
SM*35E-1544[] { }	4.15	9.00	4.15	9.00	N/A	N/A	4.15	9.00	154,400	162,100	26,100	N/A	2-5/8"	48	134.30	38.50	51.00	1,215
SM*36E-1594[] { }	4.15	9.00	4.15	9.00	N/A	N/A	4.15	9.00	159,400	167,800	25,800	N/A	2-5/8"	48	134.30	38.50	51.00	1,240
SM*44E-1465[] { }	4.15	9.00	4.15	9.00	N/A	N/A	4.15	9.00	146,500	167,000	38,130	N/A	(2) 2-1/8"	47	173.00	38.50	52.50	1,370
SM*45E-1523[] { }	4.15	9.00	4.15	9.00	N/A	N/A	4.15	9.00	152,300	173,600	36,400	N/A	(2) 2-1/8"	47	173.00	38.50	52.50	1,340
SM*46E-1754[] { }	4.15	N/A	4.15	9.00	N/A	N/A	4.15	9.00	175,400	184,600	33,200	N/A	(2) 2-1/8"	47	173.00	38.50	52.50	1,400
¥ SM*44E-1769[] { }	4.15	9.00	4.15	9.00	N/A	N/A	4.15	9.00	176,900	201,800	36,530	N/A	(2) 2-1/8"	67	173.00	38.50	52.50	1,469
¥ SM*45E-1985[] { }	4.15	9.00	4.15	9.00	N/A	N/A	4.15	9.00	198,500	226,300	34,800	N/A	(2) 2-1/8"	67	173.00	38.50	52.50	1,540
¥ SM*46E-2307[] { }	4.15	9.00	4.15	9.00	N/A	N/A	4.15	9.00	230,700	242,800	32,530	N/A	(2) 2-1/8"	67	173.00	38.50	52.50	1,600

LOW TEMPERATURE

SV MODEL	FREEZER AWEF BY REFRIGERANT and MOTOR								CAPACITY (BTU/H) @ 10° F TD -20° F EVAP	CAPACITY (BTU/H) @ 10° F TD +20° F EVAP	AIR FLOW (CFM)	REFRIGERATION CONNECTIONS		REF CHARGE (LBS)	DIMENSIONS (IN)			SHIP WGT (LBS)
	[G] STOCK UNIT**, [Q] R-407A, [F] R-407F, [T] R-448A, [R] R-449A				[N] STOCK UNIT***, [S] R-404A, [P] R-507A							LIQ	SUCT		L	W	H	
	{D}ual Speed	{V}ariable Speed	{D}ual Speed	{V}ariable Speed	{D}ual Speed	{V}ariable Speed	{D}ual Speed	{V}ariable Speed										
SV*14E-0422[] C	N/A	4.15	N/A	4.15	42,200	-	11,250	N/A	2-1/8"	13	77.00	38.50	40.50	440				
SV*15E-0468[] C	N/A	4.15	N/A	4.15	46,800	-	11,125	N/A	2-1/8"	13	77.00	38.50	40.50	450				
SV*16E-0664[] C	N/A	4.15	N/A	4.15	66,400	-	11,000	N/A	2-1/8"	13	77.00	38.50	40.50	530				
SV*14E-0550[] C	N/A	4.15	N/A	4.15	55,000	-	11,250	N/A	2-1/8"	19	77.00	38.50	40.50	495				
SV*15E-0611[] C	N/A	4.15	N/A	4.15	61,100	-	11,125	N/A	2-1/8"	19	77.00	38.50	40.50	505				
SV*16E-0684[] C	N/A	4.15	N/A	4.15	68,400	-	11,000	N/A	2-1/8"	19	77.00	38.50	40.50	540				
SV*24E-0834[] C	N/A	4.15	N/A	4.15	83,400	-	24,225	N/A	2-1/8"	24	134.30	38.50	40.50	836				
SV*25E-0926[] C	N/A	4.15	N/A	4.15	92,600	-	23,125	N/A	2-1/8"	24	134.30	38.50	40.50	874				
SV*26E-1005[] C	N/A	4.15	N/A	4.15	100,500	-	22,800	N/A	2-1/8"	24	134.30	38.50	40.50	912				
SV*24E-1088[] C	N/A	4.15	N/A	4.15	108,800	-	23,000	N/A	2-1/8"	36	134.30	38.50	40.50	860				
SV*25E-1206[] C	N/A	4.15	N/A	4.15	120,600	-	22,000	N/A	2-1/8"	36	134.30	38.50	40.50	900				
SV*26E-1311[] C	N/A	4.15	N/A	4.15	131,100	-	21,550	N/A	2-1/8"	36	134.30	38.50	40.50	920				
SV*34E-1177[] C	N/A	4.15	N/A	4.15	117,700	-	35,750	N/A	2-5/8"	33	134.30	38.50	51.00	1,030				
SV*35E-1304[] C	N/A	4.15	N/A	4.15	130,400	-	34,125	N/A	2-5/8"	33	134.30	38.50	51.00	1,050				
SV*36E-1418[] C	N/A	4.15	N/A	4.15	141,800	-	33,400	N/A	2-5/8"	33	134.30	38.50	51.00	1,060				
SV*34E-1530[] C	N/A	4.15	N/A	4.15	153,000	-	34,250	N/A	2-5/8"	48	134.30	38.50	51.00	1,195				
SV*35E-1698[] C	N/A	4.15	N/A	4.15	169,800	-	32,625	N/A	2-5/8"	48	134.30	38.50	51.00	1,215				
SV*36E-1843[] C	N/A	4.15	N/A	4.15	184,300	-	32,000	N/A	2-5/8"	48	134.30	38.50	51.00	1,240				
SV*44E-1699[] C	N/A	4.15	N/A	4.15	169,900	-	47,650	N/A	(2) 2-1/8"	47	173.00	38.50	52.50	1,370				
SV*45E-1883[] C	N/A	4.15	N/A	4.15	188,300	-	45,500	N/A	(2) 2-1/8"	47	173.00	38.50	52.50	1,340				
SV*46E-2047[] C	N/A	4.15	N/A	4.15	204,700	-	44,500	N/A	(2) 2-1/8"	47	173.00	38.50	52.50	1,400				
¥ SV*44E-2052[] C	N/A	4.15	N/A	4.15	205,200	-	45,650	N/A	(2) 2-1/8"	67	173.00	38.50	52.50	1,469				
¥ SV*45E-2274[] C	N/A	4.15	N/A	4.15	227,400	-	43,600	N/A	(2) 2-1/8"	67	173.00	38.50	52.50	1,540				
¥ SV*46E-2472[] C	N/A	4.15	N/A	4.15	247,200	-	42,700	N/A	(2) 2-1/8"	67	173.00	38.50	52.50	1,600				

 Key Point -

Krack evaporator capacities shown are with **midpoint** evaporating temperature to offer a consistent capacity for selection when using different refrigerants and match other Krack and Hussmann equipment.

SM/SV Series Unit Coolers

Hot Gas Defrost Specifications

LOW / MEDIUM TEMPERATURE

SM MODEL	AWEF BY REFRIGERANT, MOTOR, and APPLICATION								CAPACITY (BTU/H) @ 10° F TD -20° F EVAP	CAPACITY (BTU/H) @ 10° F TD +20° F EVAP	AIR FLOW (CFM)	REFRIGERATION CONNECTIONS		REF CHARGE (LBS)	DIMENSIONS (IN)			SHIP WGT (LBS)
	[G] STOCK UNIT**, [Q] R-407A, [F] R-407F, [T] R-448A, [R] R-449A				[N] STOCK UNIT***, [S] R-404A, [P] R-507A							DEFR GAS	SUCT		L	W	H	
	{D}ual Speed		{V}ariable Speed		{D}ual Speed		{V}ariable Speed											
	Freezer	Cooler	Freezer	Cooler	Freezer	Cooler	Freezer	Cooler										
SM*14(-)0384[]C	4.15	N/A	4.15	9.00	N/A	N/A	4.15	9.00	38,400	40,300	9,690	1/2"	1-5/8"	13	77.00	38.50	40.50	440
SM*15(-)0426[]C	4.15	9.00	4.15	9.00	N/A	N/A	4.15	9.00	42,600	44,700	6,250	1/2"	1-5/8"	13	77.00	38.50	40.50	450
SM*16(-)0440[]C	4.15	9.00	4.15	9.00	N/A	N/A	4.15	9.00	44,400	46,300	8,810	1/2"	1-5/8"	13	77.00	38.50	40.50	470
SM*14(-)0501[]C	4.15	9.00	4.15	9.00	N/A	N/A	4.15	9.00	50,100	52,600	9,330	7/8"	2-1/8"	19	77.00	38.50	40.50	495
SM*15(-)0556[]C	4.15	9.00	4.15	9.00	N/A	N/A	4.15	9.00	55,600	58,400	8,900	7/8"	2-1/8"	19	77.00	38.50	40.50	505
SM*16(-)0574[]C	4.15	9.00	4.15	9.00	N/A	N/A	4.15	9.00	57,400	60,400	8,400	7/8"	2-1/8"	19	77.00	38.50	40.50	530
SM*24(-)0759[]C	4.15	N/A	4.15	9.00	N/A	N/A	4.15	9.00	75,900	79,700	19,380	7/8"	2-1/8"	24	134.30	38.50	40.50	836
SM*25(-)0842[]C	4.15	9.00	4.15	9.00	N/A	N/A	4.15	9.00	84,200	88,400	18,500	7/8"	2-1/8"	24	134.30	38.50	40.50	874
SM*26(-)0869[]C	4.15	9.00	4.15	9.00	N/A	N/A	4.15	9.00	86,900	91,500	17,600	7/8"	2-1/8"	24	134.30	38.50	40.50	912
SM*24(-)0989[]C	4.15	9.00	4.15	9.00	N/A	N/A	4.15	9.00	98,900	103,800	18,400	7/8"	2-5/8"	36	134.30	38.50	40.50	860
SM*25(-)1097[]C	4.15	9.00	4.15	9.00	N/A	N/A	4.15	9.00	109,700	115,200	17,600	7/8"	2-5/8"	36	134.30	38.50	40.50	900
SM*26(-)1132[]C	4.15	9.00	4.15	9.00	N/A	N/A	4.15	9.00	113,200	119,200	16,800	7/8"	2-5/8"	36	134.30	38.50	40.50	920
SM*34(-)1070[]C	4.15	N/A	4.15	9.00	N/A	N/A	4.15	9.00	107,000	112,300	28,600	7/8"	2-5/8"	33	134.30	38.50	51.00	1,030
SM*35(-)1186[]C	4.15	9.00	4.15	9.00	N/A	N/A	4.15	9.00	118,600	124,500	27,300	7/8"	2-5/8"	33	134.30	38.50	51.00	1,050
SM*36(-)1225[]C	4.15	N/A	4.15	9.00	N/A	N/A	4.15	9.00	122,500	128,900	24,900	7/8"	2-5/8"	33	134.30	38.50	51.00	1,060
SM*34(-)1393[]C	4.15	9.00	4.15	9.00	N/A	N/A	4.15	9.00	139,300	146,300	27,400	1-1/8"	2-5/8"	48	134.30	38.50	51.00	1,195
SM*35(-)1544[]C	4.15	9.00	4.15	9.00	N/A	N/A	4.15	9.00	154,400	162,100	26,100	1-1/8"	2-5/8"	48	134.30	38.50	51.00	1,215
SM*36(-)1594[]C	4.15	9.00	4.15	9.00	N/A	N/A	4.15	9.00	159,400	167,800	25,800	1-1/8"	2-5/8"	48	134.30	38.50	51.00	1,240
SM*44(-)1465[]C	4.15	9.00	4.15	9.00	N/A	N/A	4.15	9.00	146,500	167,000	38,130	(2) 7/8"	(2) 2-1/8"	47	173.00	38.50	52.50	1,370
SM*45(-)1523[]C	4.15	9.00	4.15	9.00	N/A	N/A	4.15	9.00	152,300	173,600	36,400	(2) 7/8"	(2) 2-1/8"	47	173.00	38.50	52.50	1,340
SM*46(-)1754[]C	4.15	N/A	4.15	9.00	N/A	N/A	4.15	9.00	175,400	184,600	33,200	(2) 7/8"	(2) 2-1/8"	47	173.00	38.50	52.50	1,400
¥ SM*44(-)1769[]C	4.15	9.00	4.15	9.00	N/A	N/A	4.15	9.00	176,900	201,800	36,530	(2) 7/8"	(2) 2-1/8"	67	173.00	38.50	52.50	1,469
¥ SM*45(-)1985[]C	4.15	9.00	4.15	9.00	N/A	N/A	4.15	9.00	198,500	226,300	34,800	(2) 7/8"	(2) 2-1/8"	67	173.00	38.50	52.50	1,540
¥ SM*46(-)2307[]C	4.15	9.00	4.15	9.00	N/A	N/A	4.15	9.00	230,700	242,800	32,530	(2) 7/8"	(2) 2-1/8"	67	173.00	38.50	52.50	1,600

* For motor code and refrigerant, use "D" when AWEF rating is shown and "A" for non-regulated applications or where AWEF is N/A. () Gas defrost type K, H, G, or P. See definition to the right.
 [] Location for the refrigerant letter code. { } Variable Speed EC motor is standard, include "V" for Variable Speed EC control or "D" when Dual Speed control from 10 V signal will be applied.

** G Stock Units are for glide refrigerants only (consult I/O manual for complete refrigerant listing).

*** N Stock Units are for non-glide or glide refrigerants (consult I/O manual for complete refrigerant listing).

¥ Unit requires two (2) expansion valves. Face split is included in the base model price. Face split is only required for 4- fan, 6-row low temp applications.

Example Full Model:

MKD36P-3090DAA is for DOE / NRCan application with R-407A, Dual Speed EC motor and includes the additional letters AA for 208 V single phase power.

Available Gas Defrost Types

- (H) - HGE 3 Pipe Hot Gas with Electric Pan Heat No defrost termination or fan delay.
- (G) - HGG 3 Pipe Hot Gas with Gas Pan Heat. No defrost termination or fan delay.
- (P) - KGE 2 Pipe Kool Gas with Electric Pan Heat.
- (K) - KGG 2 Pipe Kool Gas with Gas Pan Heat.

Key Point -

Krack evaporator capacities shown are with **midpoint** evaporating temperature to offer a consistent capacity for selection when using different refrigerants and match other Krack and Hussmann equipment.

Commercial Condensed Product Catalog

DOE Evaporator Summary Matrix for Small Evaporators

* Glide refrigerants (R-407A, R-407F, R-448A, R-449A, refer to I/O Manual for others). Models in tables with "*" are not tied to this note.

** Non-Glide refrigerants (R-404A, R-507A, refer to I/O Manual for others)

*** Room T-Stat needs to be separate from T-Stat controlling motors

**** Includes 10 V power supply for driving fans to low speed

***** Amplifier works with a maximum of six motors

¹ Only one control may be selected

	KR		LH		GH / GL	
	DUAL SPEED MOTORS	VARIABLE SPEED MOTORS	DUAL SPEED MOTORS	VARIABLE SPEED MOTORS	DUAL SPEED MOTORS	VARIABLE SPEED MOTORS
DEFROST TYPE						
Air						
Glide Refrigerants*	X	X	X	X	X	X
Non-Glide Refrigerants**	X	X	-	X	X (Except GL*56A and GL*14A)	X
Electric						
Glide Refrigerants*						
Coolers	X	X	X (Except LH*44E)	X	X	X
Freezers	X	X	X (Except LH*44E)	X	-	-
Non-Glide Refrigerants**						
Coolers	-	X	-	X	X (Except GL*56D and GL*14D)	X
Freezers	-	X	-	X	-	-
Hot Gas						
Glide Refrigerants*						
Coolers	X	X	-	-	X	X
Freezers	X	X	-	-	-	-
Non-Glide Refrigerants**						
Coolers	-	X	-	-	X (Except GL*56() and GL*14())	X
Freezers	-	X	-	-	-	-
VOLTAGES / PAHSE (All 60 HZ)						
115/1	X	X	X	X	X	X
208-230/1	X	X	X	X	X	X
208-230/3	X	X	X	X	X	X
460/1	-	-	-	-	-	-
460/3	-	-	-	-	-	-
575/3	-	-	-	-	-	-
FAN CONTROLS						
RT-3*** - T-Stat	X ¹	-	X ¹	-	X ¹	-
RT-4*** - T-Stat with 0 to 10 V Power Supply	-	-	-	-	-	-
R24V - Relay if Remote Board	X ¹	-	X ¹	-	X ¹	-
R24P**** - Relay If Remote Board	-	-	-	-	-	-
VC4P - JC450 plus Amplifier	-	X ¹	-	X ¹	-	X ¹
AMP1***** - Amplifier for Remote Controller	-	X ¹	-	X ¹	-	X ¹
VC4 - JC450 Loose	-	-	-	-	-	-
VC4A, VC4B - JC450 Mounted with Transformer	-	-	-	-	-	-
KE2 Therm	-	-	-	-	-	-
Expansion Valves						
TEV	-	-	-	-	-	-
Sporlan Stepper Valve	-	-	-	-	-	-
Control Boards						
KE2 OEM Board	-	-	-	-	-	-
Sensors						
Air Defrost - 3 Temp Sensors (1 Room, 2 Coils)	-	-	-	-	-	-
Positive Defrost - 3 Temp Sensors (1 Room, 2 Coils)	-	-	-	-	-	-
Options						
Remote Display (Stays within Six Feet of Board)	-	-	-	-	-	-
Edge Manager (for Remote Wifi Access and Data Logging)	-	-	-	-	-	-
8 or 16 Port Switch (Inter-Connecting Multiple Boards)	-	-	-	-	-	-

Commercial Condensed Product Catalog

DOE Evaporator Summary Matrix for Large Evaporators

	MK / MV		MS		SM / SV	
	DUAL SPEED MOTORS	VARIABLE SPEED MOTORS	DUAL SPEED MOTORS	VARIABLE SPEED MOTORS	DUAL SPEED MOTORS	VARIABLE SPEED MOTORS
DEFROST TYPE						
Air						
Glide Refrigerants*	X	X	-	X	X (Except SM*14A, SM*24A, SM*26A-0746, SM*27A-0811, SM*34A-1123 and 1243, SM*36A-1289, SM*37A-1402, SM*44A-1532 and 1829, SM*46A-1846)	X
Non-Glide Refrigerants**	X (Except MK*18A-133, MK*28A-266, MK*16A-118, MK*26A-236 and 290, MK*14A-94 and 121, MK*24A-188 and 242)	X	-	X	X (Units Available: SM*16A-0538 and 604, SM*17A-0585 and 0657, SM*27A-1296, and SM*47A-2581)	X
Electric						
Glide Refrigerants*						
Coolers	X	X (Except ALL MV Models)	-	X	X (Except SM*14E-0384, SM*24E-0759, SM*34E-1070, SM*36E-1225, SM*46E-1754)	X
Freezers	X (Except ALL MV Models)	X (Except All MV Models)	-	X	X (Except ALL SV Models)	X
Non-Glide Refrigerants**						
Coolers	-	X (Except ALL MV Models)	-	X	-	X
Freezers	-	X (Except ALL MV Models)	-	X	-	X
Hot Gas						
Glide Refrigerants*						
Coolers	X (Except ALL MV Models)	X (Except ALL MV Models)	-	X	X (Except SM*14()-0384, SM*24()-0759, SM*34()-1070, SM*36()-1225, SM*46()-1754)	X
Freezers	X (Except ALL MV Models)	X (Except ALL MV Models)	-	X	X	X
Non-Glide Refrigerants**						
Coolers	-	X (Except ALL MV Models)	-	X	-	X
Freezers	-	X (Except ALL MV Models)	-	X	-	X
VOLTAGES / PHASE (All 60 HZ)						
115/1	X	X	X	X	-	-
208-230/1	X	X	X	X	-	-
208-230/3	X ²	X ²	X ²	X ²	X	X
460/1	-	-	-	-	-	-
460/3	-	-	-	-	X	X
575/3	-	-	-	-	-	-
FAN CONTROLS						
RT-3*** - T-Stat	-	-	-	-	-	-
RT-4*** - T-Stat with 0 to 10 V Power Supply	X ¹	-	X ¹	-	X ¹	-
R24V - Relay if Remote Board	-	-	-	-	-	-
R24P**** - Relay if Remote Board	X ¹	-	X ¹	-	X ¹	-
VC4P - JC450 plus Amplifier	-	-	-	-	-	-
AMP1***** - Amplifier for Remote Controller	-	-	-	-	-	-
VC4 - JC450 Loose	-	X ¹	-	X ¹	-	X ¹
VC4A, VC4B - JC450 Mounted with Transformer	-	X ¹	-	X ¹	-	X ¹
KE2 Therm	-	X ¹	-	X ¹	-	X ¹
Expansion Valves						
TEV	-	X ³	-	X ³	-	X ³
Sporlan Stepper Valve	-	X ³	-	X ³	-	X ³
Control Boards						
KE2 OEM Board	-	X	-	X	-	X
Sensors						
Air Defrost - 3 Temp Sensors (1 Room, 2 Coils)	-	X ⁴	-	X ⁴	-	X ⁴
Positive Defrost - 3 Temp Sensors (1 Room, 2 Coils)	-	X ⁴	-	X ⁴	-	X ⁴
Options						
Remote Display (Stays within Six Feet of Board)	-	X ⁵	-	X ⁵	-	X ⁵
Edge Manager (for Remote Wifi Access and Data Logging)	-	X ⁵	-	X ⁵	-	X ⁵
8 or 16 Port Switch (Inter-Connecting Multiple Boards)	-	X ⁵	-	X ⁵	-	X ⁵

* Glide refrigerants (R-407A, R-407F, R-448A, R-449A, refer to I/O Manual for others). Models in tables with "*" are not tied to this note.

** Non-Glide refrigerants (R-404A, R-507A, refer to I/O Manual for others)

*** Room T-Stat needs to be separate from T-Stat controlling motors

**** Includes 10 V power supply for driving fans to low speed

***** Amplifier works with a maximum of six motors

¹ Only one control may be selected

² Only on multiple fan units wired for 3 phase operation

³ Choose only one type of expansion valve

⁴ Choose only one based upon either air or positive defrost requirements

⁵ More than one option can be chosen

Levitor II Series Air-Cooled Condenser

(Available for Fluid Cooler Applications)



Vspeed Variable Speed
Condenser Fan: High Performance
Electronic Drive and Motor

Standard Features

The LEVITOR system addresses refrigerant coil wear and leaks due to vibration and thermal stress.

LEVITOR Coil Design Eliminates Refrigerant Tube Wear

Environmental concerns and spiraling cost of refrigerants have led to the development of direct drive remote air-cooled condensers with the LEVITOR coil support system. This innovative design uses dedicated stainless steel tubes and a unique coil support system to isolate refrigerant tubes from the unit. Coil support is transferred from the fins to the stainless tubes and truncated tube plates which ride freely in "C" channels.

Tubes expand and contract without interference. The result, contact and friction wear are eliminated.

Quiet by Design

LEVITOR coil design does more than just eliminate tube wear. Sound reduction is an added benefit. Unlike traditional air-cooled condensers, fan and coil vibration are isolated from the cabinet, so it is not transmitted to the unit frame and building supports.

Vspeed Variable Speed Condenser Fan Solutions

- Krack's latest fan motor technology is now offered with a variable speed fan motor solution called Vspeed under the LAVK configuration that utilizes a Brushless Permanent Motor (BPM) and panel mounted electronic drive (per motor). The electronic drive will vary the fan speeds (1140 RPM at 0 volts / 0 RPM at 10 volts) to match the loads saving more energy versus single speed fans. Fan blade configurations, mounting, and capacities are equivalent to the standard 1140 RPM motor options.

Low Sound Quieter Fan

- The "swept-wing" blade design offers lower noise levels at the same fan speed. For example, the QUIETOR fan blade on a 575 RPM motor will be much quieter (8 dBA) than the old 575 RPM fan.
- Lower noise condensers can translate into savings for your customer by minimizing the need of costly noise barriers.
- Quieter fan not available on 24" models.

Computerized Circuiting

- Our computerized coil circuiting program is designed to minimize the condenser refrigerant charge and maximize sub-cooling. Every condenser will be custom circuited to precisely meet your application needs.

Modular Design

- Arranged for vertical or horizontal air discharge. Multi-fan sections compartmented to allow individual fan cycling while preventing off-fan "windmilling". Large clean-out access doors standard.

Corrosion Resistant

- All models employ mill galvanized steel fan sections and coil side baffles. Legs are heavy gauge mill galvanized steel.



Use your QR reader to
reference current document
version on www.krack.com.



Direct Driven Propeller Fans

- Quiet multi-bladed propeller fans provide uniform air distribution through the coil. Venturi fan orifices optimize efficiency.

High Efficiency Coil

- Copper tubes are mechanically expanded into corrugated full collared aluminum fins spaced 8, 10, or 12 per inch. Coils are helium leak and pressure tested with 400 psig dry air, shipped pressurized with dry nitrogen.
- Optional fin materials are copper or polyester coated aluminum.
- Optional Electrofin or Heresite coil coatings.
- Multi-circuiting available.

Fan Motors and Electrical Rating

- Outdoor condenser motors designed with ball bearings inherent overheat protection in each phase; shaft slingers; enclosure, hardware, and lubrication for all weather conditions. Each motor lead is wired to terminals in an electrical enclosure.
- Inverter duty motors are standard for 230/3, 460/3 and some 575/3 (F = 1140 RPM and A = 850 RPM 1 HP) condensers.
- Variable speed motors are available for 230/3 and 460/3 (K = 1140 RPM 1.5 HP) condensers.
- Default AIC rating is 10,000 amps (10kA) with rating up to 100kA available with selection of fused disconnect and standard fuses for fan motors.

Versatile Fan Cycling Control Methods

- Temperature fan cycling
- Pressure fan cycling
- Temperature and pressure fan cycling
- Electronic relay boards
- Variable speed header end fans
- Energy-saving variable speed options for all fans

Levitor II Series Air-Cooled Condenser

(Available for Fluid Cooler Applications)

Model Key

L A V A 1 2 4 10 M

UNIT TYPE:

L - Levitor Condenser

TUBE DIAMETER:

A - 3/8
E - 1/2

FAN DISCHARGE DIRECTIONS:

H - Horizontal
V - Vertical
X - Hinged Vertical
E - Hinged Horizontal

FAN / MOTOR COMBINATION:

A - 850 RPM, 1 HP, 30"
B - 1140 RPM, 0.5 HP, 24"
C - 850 RPM, 1.5 HP, 30"
E - 575 RPM, 0.5 HP, 30"
F - 1140 RPM, 1.5 HP, 30"
K - 1140 RPM, 1.5 HP, 30"*

FANS WIDE: 1, 2

VOLTAGE:

A - 230/1/60**
K - 208-230/3/60
M - 460/3/60
P - 575/3/60
U - 380/3/50

FIN SPACING:

08 - 8 FPI
10 - 10 FPI
12 - 12 FPI

ROWS DEEP:

2
3
4

FANS IN LINE:

1
2
3
4
5
6
7

* K Vspeed Variable Speed BPM (brushless permanent magnet motors) and panel mounted electronic drive are 208-240/3/60, 380/3/50, 380/3/60, and 460/3/60. Gravity dampers should not be used with K motor applications.

** LAVB only.

Correction Factors Table

REFRIGERANTS	MULTIPLY R-404A BY CAPACITY FACTOR	CHARGE CORRECTION FACTOR	
		SUMMER	WINTER
R-404A	1.00	1.00	1.00
R-134a	0.97	1.17	1.11
R-410A	1.02	1.02	1.03
R-22	1.02	1.14	1.09
R-407A	See R-407A Chart	1.10	1.08
R-407C	0.98 x R-407A	1.09	1.07
R-448A / R-449A	See R-448A / R-449A Chart	1.06	1.04
R513A	See R-404A / R-507A Chart	1.10	1.05

Levitor II Series Air-Cooled Condenser

(Available for Fluid Cooler Applications)

Levitor Application

Locate Condensers no closer than their width from wall or other condensers. Avoid locations near exhaust fans, plumbing vents, flues or chimneys. Reference the IOM for other considerations for locating condensers.

Parallel Condensers should be the same models resulting in the same refrigerant side pressure drops. Compressor discharge lines should have equal pressure drops to each condenser.

Summer Charge based on 25% of condenser volume with 90° F liquid. Multiply by 1.1 for R-407A.

Winter Charge based on 90% of condenser volume with -20° F liquid. Multiply by 1.08 for R-407A.

Receiver Capacity should be sized to store condenser summer charge, plus the condenser low ambient allowance, plus the evaporator charge, plus an allowance for piping and heat reclaim coil charges.

Compressor Discharge lines should be sized to minimize pressure drops and maintain oil return gas velocities. Each connection should be looped to the top of the condenser.

Gravity Liquid Drain Lines should drop from each outlet as low as possible before headering or running horizontally. Pitch downhill to receiver.

Off-Line Coil Sections will have refrigerant pressures corresponding to the ambient. Check valves or isolating valves should be installed in the liquid line drains to prevent refrigerant migration and receiver pressure loss.

See Installation and Operating instructions for piping, holdback and fan cycling details.

Notes

For all **Performance Data Tables**, capacity ratings are based on midpoint condensing temperature at 95° F entering air temperature and with 0° F sub-cooling. TEMPERATURE DIFFERENCE is midpoint condensing temperature to entering ambient air temperature.

De-rate capacity data 10% for 50 hz applications with all motors except K (variable speed BPM motors and panel mounted drive) which have no reduction in capacity for the change in frequency.

Levitor II Series Air-Cooled Condenser

(Available for Fluid Cooler Applications)

LAVF/LAVK Performance Data

(1.5 HP - 1140 RPM)

ONE FAN WIDE														
MODEL	TOTAL HEAT OF REJECTION (MBH)								AIR FLOW (CFM)	CEC TITLE 24 COMPLIANT	CONDENSER CHARGE R-404A (LBS)		EST SOUND 10' (dBA)	SHIP WEIGHT (LBS)
	R-404A, R-507A				R-407A, R-448A / R-449A						SUMMER	WINTER		
	TEMPERATURE DIFFERENCE													
	10° F	15° F	20° F	25° F	10° F	15° F	20° F	25° F						
LAV(-)-11208	46.3	69.4	92.5	115.6	44.2	66.3	88.4	110.5	11649	No	4	17	72	437
LAV(-)-11210	53.2	79.8	106.4	133.0	51.8	77.7	103.6	129.5	11541	No	4	17	72	439
LAV(-)-11212	59.8	89.7	119.6	149.5	58.5	87.8	117.1	146.3	11430	No	4	17	72	444
LAV(-)-11308	64.7	97.1	129.5	161.9	62.9	94.4	125.9	157.3	11323	No	6	25	72	466
LAV(-)-11310	74.0	111.0	148.0	185.1	73.2	109.8	146.4	183.0	11147	No	6	25	72	469
LAV(-)-11312	81.8	122.8	163.7	204.6	81.8	122.6	163.5	204.4	10969	No	6	25	72	478
LAV(-)-11408	78.2	117.2	156.3	195.4	77.8	116.6	155.5	194.4	10974	No	8	33	72	495
LAV(-)-11410	87.6	131.3	175.1	218.9	88.4	132.7	176.9	221.1	10730	Compliant	8	33	72	499
LAV(-)-11412	95.1	142.6	190.2	237.7	97.2	145.7	194.3	242.9	10486	No	8	33	72	508
LAV(-)-12208	92.5	138.8	185.0	231.3	88.4	132.5	176.7	220.9	23298	No	9	32	75	718
LAV(-)-12210	106.4	159.6	212.8	266.0	103.6	155.4	207.1	258.9	23082	No	9	32	75	721
LAV(-)-12212	119.6	179.4	239.2	299.0	117.1	175.6	234.1	292.7	22860	No	9	32	75	729
LAV(-)-12308	129.5	194.2	259.0	323.7	125.9	188.8	251.7	314.6	22646	No	13	48	75	773
LAV(-)-12310	148.0	222.1	296.1	370.1	146.4	219.6	292.8	366.0	22294	No	13	48	75	779
LAV(-)-12312	163.7	245.5	327.3	409.2	163.5	245.3	327.0	408.8	21938	No	13	48	75	792
LAV(-)-12408	156.3	234.5	312.6	390.8	155.5	233.3	311.0	388.8	21948	No	17	64	75	830
LAV(-)-12410	175.1	262.7	350.3	437.8	176.9	265.3	353.8	442.2	21460	Compliant	17	64	75	838
LAV(-)-12412	190.2	285.3	380.4	475.5	194.3	291.5	388.6	485.8	20972	No	17	64	75	855
LAV(-)-13210	159.6	239.4	319.2	398.9	155.4	233.0	310.7	388.4	34623	No	13	48	77	1,041
LAV(-)-13212	179.4	269.1	358.8	448.5	175.6	263.4	351.2	439.0	34290	No	13	48	77	1,060
LAV(-)-13308	194.2	291.4	388.5	485.6	188.8	283.2	377.6	472.0	33969	No	18	72	77	1,126
LAV(-)-13310	222.1	333.1	444.1	555.2	219.6	329.4	439.2	549.0	33441	No	18	72	77	1,135
LAV(-)-13312	245.5	368.3	491.0	613.8	245.3	367.9	490.6	613.2	32907	No	18	72	77	1,153
LAV(-)-13408	234.5	351.7	468.9	586.2	233.3	349.9	466.6	583.2	32922	No	24	96	77	1,210
LAV(-)-13410	262.7	394.0	525.4	656.7	265.3	398.0	530.7	663.3	32190	Compliant	24	96	77	1,223
LAV(-)-13412	285.3	427.9	570.6	713.2	291.5	437.2	582.9	728.6	31458	No	24	96	77	1,247
LAV(-)-14308	259.0	388.5	518.0	647.5	251.7	377.6	503.4	629.3	45292	No	24	96	78	1,437
LAV(-)-14310	296.1	444.1	592.2	740.2	292.8	439.2	585.6	732.0	44588	No	24	96	78	1,449
LAV(-)-14312	327.3	491.0	654.7	818.4	327.0	490.6	654.1	817.6	43876	No	24	96	78	1,474
LAV(-)-14408	312.6	468.9	625.2	781.6	311.0	466.6	622.1	777.6	43896	No	32	127	78	1,550
LAV(-)-14410	350.3	525.4	700.5	875.6	353.8	530.7	707.6	884.4	42920	Compliant	32	127	78	1,566
LAV(-)-14412	380.4	570.6	760.7	950.9	388.6	582.9	777.2	971.5	41944	No	32	127	78	1,599
LAV(-)-15308	323.7	485.6	647.5	809.4	314.6	472.0	629.3	786.6	56615	No	32	119	79	2,020
LAV(-)-15310	370.1	555.2	740.2	925.3	366.0	549.0	732.0	915.0	55735	No	32	119	79	2,035
LAV(-)-15312	409.2	613.8	818.4	1023.0	408.8	613.2	817.6	1022.0	54845	No	32	119	79	2,066
LAV(-)-15408	390.8	586.2	781.6	977.0	388.8	583.2	777.6	972.0	54870	No	41	159	79	2,160
LAV(-)-15410	437.8	656.7	875.6	1094.6	442.2	663.3	884.4	1105.6	53650	Compliant	41	159	79	2,181
LAV(-)-15412	475.5	713.2	950.9	1188.7	485.8	728.6	971.5	1214.4	52430	No	41	159	79	2,222
LEV(-)-16308	388.5	582.7	777.0	971.2	377.6	566.4	755.1	943.9	67938	No	65	266	80	2,554
LEV(-)-16310	444.1	666.2	888.3	1110.3	439.2	658.8	878.4	1098.0	66882	No	65	266	80	2,573
LEV(-)-16312	491.0	736.5	982.0	1227.5	490.6	735.8	981.1	1226.4	65814	No	65	266	80	2,610
LEV(-)-16408	468.9	703.4	937.9	1172.3	466.6	699.8	933.1	1166.4	65844	No	84	354	80	2,784
LEV(-)-16410	525.4	788.1	1050.8	1313.5	530.7	796.0	1061.3	1326.7	64380	Compliant	84	354	80	2,808
LEV(-)-16412	570.6	855.8	1141.1	1426.4	582.9	874.4	1165.8	1457.3	62916	No	84	354	80	2,858
LEV(-)-17308	453.2	679.9	906.5	1133.1	440.5	660.7	881.0	1101.2	79261	Compliant	76	310	81	3,020
LEV(-)-17310	518.1	777.2	1036.3	1295.4	512.4	768.6	1024.8	1281.0	78029	Compliant	76	310	81	3,042
LEV(-)-17312	572.9	859.3	1145.7	1432.1	572.3	858.5	1144.6	1430.8	76783	No	76	310	81	3,088
LEV(-)-17408	547.1	820.6	1094.2	1367.7	544.3	816.5	1088.6	1360.8	76818	Compliant	98	413	81	3,279
LEV(-)-17410	612.9	919.4	1225.9	1532.4	619.1	928.7	1238.2	1547.8	75110	Compliant	98	413	81	3,307
LEV(-)-17412	665.6	998.5	1331.3	1664.1	680.1	1020.1	1360.1	1700.2	73402	No	98	413	81	3,366

See NOTES on 50 HZ operation and TEMPERATURE DIFFERENCE on page 23. See Correction Factor Table for refrigerant charge on page 22.

CEC TITLE 24 COMPLIANT indicates condenser meets the 65 BTU/H / watt efficiency requirement. To complete the Title 24 compliance, fan speed must vary requiring an additional VFD and controller on fixed speed motors (F, A, C, E and B).

Crack recommends the K motor option which has variable speed capability and need only a controller to provide the 0-10 V control signal to meet the regulation. Gravity dampers should not be used with K motor applications.

Levitor II Series Air-Cooled Condenser

(Available for Fluid Cooler Applications)

LAVF/LAVK Performance Data

(1.5 HP - 1140 RPM)

TWO FANS WIDE														
MODEL	TOTAL HEAT OF REJECTION (MBH)								AIR FLOW (CFM)	CEC TITLE 24 COMPLIANT	CONDENSER CHARGE R-404A (LBS)		EST SOUND 10' (dBA)	SHIP WEIGHT (LBS)
	R-404A, R-507A				R-407A, R-448A / R-449A						SUMMER	WINTER		
	TEMPERATURE DIFFERENCE													
	10° F	15° F	20° F	25° F	10° F	15° F	20° F	25° F						
LAV()-22208	185.0	277.5	370.0	462.5	176.7	265.1	353.4	441.8	46,596	No	18	64	78	1,311
LAV()-22210	212.8	319.2	425.5	531.9	207.1	310.7	414.3	517.9	46,164	No	18	64	78	1,320
LAV()-22212	239.2	358.8	478.4	598.0	234.1	351.2	468.3	585.4	45,720	No	18	64	78	1,336
LAV()-22308	259.0	388.5	518.0	647.5	251.7	377.6	503.4	629.3	45,292	No	26	96	78	1,425
LAV()-22310	296.1	444.1	592.2	740.2	292.8	439.2	585.6	732.0	44,588	No	26	96	78	1,437
LAV()-22312	327.3	491.0	654.7	818.4	327.0	490.6	654.1	817.6	43,876	No	26	96	78	1,462
LAV()-22408	312.6	468.9	625.2	781.6	311.0	466.6	622.1	777.6	43,896	No	34	128	78	1,539
LAV()-22410	350.3	525.4	700.5	875.6	353.8	530.7	707.6	884.4	42,920	Compliant	34	128	78	1,555
LAV()-22412	380.4	570.6	760.7	950.9	388.6	582.9	777.2	971.5	41,944	No	34	128	78	1,588
LAV()-23210	319.2	478.7	638.3	797.9	310.7	466.1	621.4	776.8	69,246	No	26	96	80	1,875
LAV()-23212	358.8	538.2	717.6	897.0	351.2	526.8	702.4	878.0	68,580	No	26	96	80	1,912
LAV()-23308	388.5	582.7	777.0	971.2	377.6	566.4	755.1	943.9	67,938	No	36	144	80	2,044
LAV()-23310	444.1	666.2	888.3	1110.3	439.2	658.8	878.4	1098.0	66,882	No	36	144	80	2,063
LAV()-23312	491.0	736.5	982.0	1227.5	490.6	735.8	981.1	1226.4	65,814	No	36	144	80	2,100
LAV()-23408	468.9	703.4	937.9	1172.3	466.6	699.8	933.1	1166.4	65,844	No	48	192	80	2,214
LAV()-23410	525.4	788.1	1050.8	1313.5	530.7	796.0	1061.3	1326.7	64,380	Compliant	48	192	80	2,238
LAV()-23412	570.6	855.8	1141.1	1426.4	582.9	874.4	1165.8	1457.3	62,916	No	48	192	80	2,287
LAV()-24308	518.0	777.0	1036.0	1295.0	503.4	755.1	1006.8	1258.6	90,584	No	48	192	81	2,526
LAV()-24310	592.2	888.3	1184.3	1480.4	585.6	878.4	1171.2	1464.0	89,176	No	48	192	81	2,651
LAV()-24312	654.7	982.0	1309.4	1636.7	654.1	981.1	1308.1	1635.2	87,752	No	48	192	81	2,700
LAV()-24408	625.2	937.9	1250.5	1563.1	622.1	933.1	1244.2	1555.2	87,792	No	64	254	81	2,851
LAV()-24410	700.5	1050.8	1401.0	1751.3	707.6	1061.3	1415.1	1768.9	85,840	Compliant	64	254	81	2,884
LAV()-24412	760.7	1141.1	1521.5	1901.8	777.2	1165.8	1554.4	1943.0	83,888	No	64	254	81	2,950
LAV()-25308	647.5	971.2	1295.0	1618.7	629.3	943.9	1258.6	1573.2	113,230	No	64	238	82	3,725
LAV()-25310	740.2	1110.3	1480.4	1850.5	732.0	1098.0	1464.0	1830.1	111,470	No	64	238	82	3,755
LAV()-25312	818.4	1227.5	1636.7	2045.9	817.6	1226.4	1635.2	2044.0	109,690	No	64	238	82	3,817
LAV()-25408	781.6	1172.3	1563.1	1953.9	777.6	1166.4	1555.2	1944.0	109,740	No	82	318	82	4,005
LAV()-25410	875.6	1313.5	1751.3	2189.1	884.4	1326.7	1768.9	2211.1	107,300	Compliant	82	318	82	4,046
LAV()-25412	950.9	1426.4	1901.8	2377.3	971.5	1457.3	1943.0	2428.8	104,860	No	82	318	82	4,129
LEV()-26308	777.0	1165.5	1554.0	1942.5	755.1	1132.7	1510.3	1887.8	135,876	No	130	532	83	4,759
LEV()-26310	888.3	1332.4	1776.5	2220.6	878.4	1317.6	1756.8	2196.1	133,764	No	130	532	83	4,796
LEV()-26312	982.0	1473.0	1964.1	2455.1	981.1	1471.7	1962.2	2452.8	131,628	No	130	532	83	4,870
LEV()-26408	937.9	1406.8	1875.7	2344.7	933.1	1399.7	1866.2	2332.8	131,688	No	168	708	83	5,218
LEV()-26410	1050.8	1576.2	2101.5	2626.9	1061.3	1592.0	2122.7	2653.3	128,760	Compliant	168	708	83	5,268
LEV()-26412	1141.1	1711.7	2282.2	2852.8	1165.8	1748.7	2331.6	2914.6	125,832	No	168	708	83	5,366
LEV()-27308	906.5	1359.7	1813.0	2266.2	881.0	1321.5	1762.0	2202.5	158522	Compliant	152	620	84	5,691
LEV()-27310	1036.3	1554.4	2072.6	2590.7	1024.8	1537.2	2049.7	2562.1	156058	Compliant	152	620	84	5,734
LEV()-27312	1145.7	1718.6	2291.4	2864.3	1144.6	1716.9	2289.3	2861.6	153566	No	152	620	84	5,826
LEV()-27408	1094.2	1641.3	2188.4	2735.5	1088.6	1633.0	2177.3	2721.6	153636	Compliant	196	826	84	6,208
LEV()-27410	1225.9	1838.8	2451.8	3064.7	1238.2	1857.3	2476.4	3095.5	150220	Compliant	196	826	84	6,266
LEV()-27412	1331.3	1996.9	2662.6	3328.2	1360.1	2040.2	2720.3	3400.3	146804	No	196	826	84	6,382

See NOTES on 50 Hz operation and TEMPERATURE DIFFERENCE on page 23. See Correction Factor Table for refrigerant charge on page 22.

CEC TITLE 24 COMPLIANT indicates condenser meets the 65 BTU/H / watt efficiency requirement.

To complete the Title 24 compliance, fan speed must vary requiring an additional VFD and controller on fixed speed motors (F, A, C, E and B).

Krack recommends the K motor option which has variable speed capability and need only a controller to provide the 0-10 V control signal to meet the regulation.

Gravity dampers should not be used with K motor applications.

Levitor II Series Air-Cooled Condenser

(Available for Fluid Cooler Applications)

LAVE Performance Data

(0.5 HP - 575 RPM)

ONE FAN WIDE														
MODEL	TOTAL HEAT OF REJECTION (MBH)								AIR FLOW (CFM)	CEC TITLE 24 COMPLIANT	CONDENSER CHARGE R-404A (LBS)		EST SOUND 10' (dBA)	SHIP WEIGHT (LBS)
	R-404A, R-507A				R-407A, R-448A / R-449A						SUMMER	WINTER		
	TEMPERATURE DIFFERENCE				TEMPERATURE DIFFERENCE									
	10° F	15° F	20° F	25° F	10° F	15° F	20° F	25° F						
LAVE-11208	35.2	52.8	70.3	87.9	34.4	51.6	68.8	86.0	6480	Compliant	4	17	52	437
LAVE-11210	41.3	61.9	82.5	103.1	40.5	60.7	81.0	101.2	6420	Compliant	4	17	52	439
LAVE-11212	45.9	68.9	91.9	114.8	45.7	68.6	91.4	114.3	6360	No	4	17	52	444
LAVE-11308	47.1	70.6	94.1	117.7	46.4	69.6	92.8	116.0	6300	Compliant	6	25	52	466
LAVE-11310	53.0	79.4	105.9	132.4	53.0	79.5	106.0	132.5	6200	Compliant	6	25	52	469
LAVE-11312	57.1	85.6	114.2	142.7	58.3	87.5	116.6	145.8	6100	No	6	25	52	478
LAVE-11408	55.9	83.9	111.9	139.8	56.6	84.8	113.1	141.4	6105	Compliant	8	33	52	495
LAVE-11410	61.1	91.7	122.2	152.8	63.5	95.3	127.1	158.8	5975	Compliant	8	33	52	499
LAVE-11412	64.7	97.1	129.5	161.8	68.3	102.5	136.6	170.8	5835	No	8	33	52	508
LAVE-12208	70.3	105.5	140.7	175.9	68.8	103.2	137.6	172.0	12960	Compliant	9	32	55	718
LAVE-12210	82.5	123.8	165.0	206.3	81.0	121.5	162.0	202.5	12840	Compliant	9	32	55	721
LAVE-12212	91.9	137.8	183.7	229.6	91.4	137.1	182.9	228.6	12720	No	9	32	55	729
LAVE-12308	94.1	141.2	188.3	235.4	92.8	139.2	185.6	232.1	12600	Compliant	13	48	55	773
LAVE-12310	105.9	158.9	211.8	264.8	106.0	159.0	212.1	265.1	12400	Compliant	13	48	55	779
LAVE-12312	114.2	171.2	228.3	285.4	116.6	175.0	233.3	291.6	12200	No	13	48	55	792
LAVE-12408	111.9	167.8	223.8	279.7	113.1	169.7	226.3	282.8	12210	Compliant	17	64	55	830
LAVE-12410	122.2	183.3	244.5	305.6	127.1	190.6	254.1	317.6	11950	Compliant	17	64	55	838
LAVE-12412	129.5	194.2	258.9	323.7	136.6	205.0	273.3	341.6	11670	No	17	64	55	855
LAVE-13210	123.8	185.6	247.5	309.4	121.5	182.2	242.9	303.7	19260	Compliant	13	48	57	1,041
LAVE-13212	137.8	206.7	275.6	344.5	137.1	205.7	274.3	342.9	19080	No	13	48	57	1,060
LAVE-13308	141.2	211.8	282.4	353.0	139.2	208.8	278.5	348.1	18900	Compliant	18	72	57	1,126
LAVE-13310	158.9	238.3	317.8	397.2	159.0	238.6	318.1	397.6	18600	Compliant	18	72	57	1,135
LAVE-13312	171.2	256.9	342.5	428.1	175.0	262.4	349.9	437.4	18300	No	18	72	57	1,153
LAVE-13408	167.8	251.7	335.6	419.5	169.7	254.5	339.4	424.2	18315	Compliant	24	96	57	1,210
LAVE-13410	183.3	275.0	366.7	458.4	190.6	285.9	381.2	476.4	17925	Compliant	24	96	57	1,223
LAVE-13412	194.2	291.3	388.4	485.5	205.0	307.4	409.9	512.4	17505	No	24	96	57	1,247
LAVE-14308	188.3	282.4	376.6	470.7	185.6	278.5	371.3	464.1	25200	Compliant	24	96	58	1,437
LAVE-14310	211.8	317.8	423.7	529.6	212.1	318.1	424.1	530.1	24800	Compliant	24	96	58	1,449
LAVE-14312	228.3	342.5	456.6	570.8	233.3	349.9	466.6	583.2	24400	No	24	96	58	1,474
LAVE-14408	223.8	335.6	447.5	559.4	226.3	339.4	452.5	565.7	24420	Compliant	32	127	58	1,550
LAVE-14410	244.5	366.7	488.9	611.1	254.1	381.2	508.2	635.3	23900	Compliant	32	127	58	1,566
LAVE-14412	258.9	388.4	517.9	647.3	273.3	409.9	546.6	683.2	23340	No	32	127	58	1,599
LAVE-15308	235.4	353.0	470.7	588.4	232.1	348.1	464.1	580.1	31500	Compliant	32	119	59	2,020
LAVE-15310	264.8	397.2	529.6	662.0	265.1	397.6	530.1	662.7	31000	Compliant	32	119	59	2,035
LAVE-15312	285.4	428.1	570.8	713.5	291.6	437.4	583.2	729.0	30500	No	32	119	59	2,066
LAVE-15408	279.7	419.5	559.4	699.2	282.8	424.2	565.7	707.1	30525	Compliant	41	159	59	2,160
LAVE-15410	305.6	458.4	611.1	763.9	317.6	476.4	635.3	794.1	29875	Compliant	41	159	59	2,181
LAVE-15412	323.7	485.5	647.3	809.2	341.6	512.4	683.2	854.0	29175	No	41	159	59	2,222
LEVE-16308	282.4	423.6	564.9	706.1	278.5	417.7	556.9	696.2	37800	Compliant	65	266	60	2,554
LEVE-16310	317.8	476.7	635.5	794.4	318.1	477.1	636.2	795.2	37200	Compliant	65	266	60	2,573
LEVE-16312	342.5	513.7	684.9	856.2	349.9	524.9	699.9	874.8	36600	No	65	266	60	2,610
LEVE-16408	335.6	503.5	671.3	839.1	339.4	509.1	678.8	848.5	36630	Compliant	84	354	60	2,784
LEVE-16410	366.7	550.0	733.4	916.7	381.2	571.7	762.3	952.9	35850	Compliant	84	354	60	2,808
LEVE-16412	388.4	582.6	776.8	971.0	409.9	614.9	819.8	1024.8	35010	No	84	354	60	2,858
LEVE-17308	329.5	494.2	659.0	823.7	324.9	487.3	649.8	812.2	44100	Compliant	76	310	61	3,020
LEVE-17310	370.7	556.1	741.5	926.8	371.1	556.6	742.2	927.7	43400	Compliant	76	310	61	3,042
LEVE-17312	399.6	599.3	799.1	998.9	408.2	612.4	816.5	1020.6	42700	No	76	310	61	3,088
LEVE-17408	391.6	587.4	783.1	978.9	396.0	593.9	791.9	989.9	42735	Compliant	98	413	61	3,279
LEVE-17410	427.8	641.7	855.6	1069.5	444.7	667.0	889.4	1111.7	41825	Compliant	98	413	61	3,307
LEVE-17412	453.1	679.7	906.2	1132.8	478.2	717.4	956.5	1195.6	40845	No	98	413	61	3,366

See NOTES on 50 HZ operation and TEMPERATURE DIFFERENCE on page 23. See Correction Factor Table for refrigerant charge on page 22.

CEC TITLE 24 COMPLIANT indicates condenser meets the 65 BTU/H / watt efficiency requirement. To complete the Title 24 compliance, fan speed must vary requiring an additional VFD and controller on fixed speed motors (F, A, C, E, and B).

Krack recommends the K motor option which has variable speed capability and need only a controller to provide the 0-10 V control signal to meet the regulation.

Levitor II Series Air-Cooled Condenser

(Available for Fluid Cooler Applications)

LAVE Performance Data

(0.5 HP - 575 RPM)

TWO FANS WIDE														
MODEL	TOTAL HEAT OF REJECTION (MBH)								AIR FLOW (CFM)	CEC TITLE 24 COMPLIANT	CONDENSER CHARGE R-404A (LBS)		EST SOUND 10' (dBA)	SHIP WEIGHT (LBS)
	R-404A, R-507A				R-407A, R-448A / R-449A						SUMMER	WINTER		
	TEMPERATURE DIFFERENCE				TEMPERATURE DIFFERENCE									
	10° F	15° F	20° F	25° F	10° F	15° F	20° F	25° F						
LAVE-22208	140.7	211.0	281.4	351.7	137.6	206.4	275.2	344.0	25920	Compliant	18	64	58	1,311
LAVE-22210	165.0	247.5	330.0	412.5	162.0	242.9	323.9	404.9	25680	Compliant	18	64	58	1,320
LAVE-22212	183.7	275.6	367.4	459.3	182.9	274.3	365.7	457.2	25440	No	18	64	58	1,336
LAVE-22308	188.3	282.4	376.6	470.7	185.6	278.5	371.3	464.1	25200	Compliant	26	96	58	1,425
LAVE-22310	211.8	317.8	423.7	529.6	212.1	318.1	424.1	530.1	24800	Compliant	26	96	58	1,437
LAVE-22312	228.3	342.5	456.6	570.8	233.3	349.9	466.6	583.2	24400	No	26	96	58	1,462
LAVE-22408	223.8	335.6	447.5	559.4	226.3	339.4	452.5	565.7	24420	Compliant	34	128	58	1,539
LAVE-22410	244.5	366.7	488.9	611.1	254.1	381.2	508.2	635.3	23900	Compliant	34	128	58	1,555
LAVE-22412	258.9	388.4	517.9	647.3	273.3	409.9	546.6	683.2	23340	No	34	128	58	1,588
LAVE-23210	247.5	371.3	495.0	618.8	242.9	364.4	485.9	607.4	38520	Compliant	26	96	60	1,875
LAVE-23212	275.6	413.4	551.1	688.9	274.3	411.4	548.6	685.7	38160	No	26	96	60	1,912
LAVE-23308	282.4	423.6	564.9	706.1	278.5	417.7	556.9	696.2	37800	Compliant	36	144	60	2,044
LAVE-23310	317.8	476.7	635.5	794.4	318.1	477.1	636.2	795.2	37200	Compliant	36	144	60	2,063
LAVE-23312	342.5	513.7	684.9	856.2	349.9	524.9	699.9	874.8	36600	No	36	144	60	2,100
LAVE-23408	335.6	503.5	671.3	839.1	339.4	509.1	678.8	848.5	36630	Compliant	48	192	60	2,214
LAVE-23410	366.7	550.0	733.4	916.7	381.2	571.7	762.3	952.9	35850	Compliant	48	192	60	2,238
LAVE-23412	388.4	582.6	776.8	971.0	409.9	614.9	819.8	1024.8	35010	No	48	192	60	2,287
LAVE-24308	376.6	564.9	753.1	941.4	371.3	556.9	742.6	928.2	50400	Compliant	48	192	61	2,526
LAVE-24310	423.7	635.5	847.4	1059.2	424.1	636.2	848.2	1060.3	49600	Compliant	48	192	61	2,651
LAVE-24312	456.6	684.9	913.3	1141.6	466.6	699.9	933.1	1166.4	48800	No	48	192	61	2,700
LAVE-24408	447.5	671.3	895.0	1118.8	452.5	678.8	905.1	1131.3	48840	Compliant	64	254	61	2,851
LAVE-24410	488.9	733.4	977.8	1222.3	508.2	762.3	1016.4	1270.5	47800	Compliant	64	254	61	2,884
LAVE-24412	517.9	776.8	1035.7	1294.6	546.6	819.8	1093.1	1366.4	46680	No	64	254	61	2,950
LAVE-25308	470.7	706.1	941.4	1176.8	464.1	696.2	928.2	1160.3	63000	Compliant	64	238	62	3,725
LAVE-25310	529.6	794.4	1059.2	1324.1	530.1	795.2	1060.3	1325.4	62000	Compliant	64	238	62	3,755
LAVE-25312	570.8	856.2	1141.6	1427.0	583.2	874.8	1166.4	1458.0	61000	No	64	238	62	3,817
LAVE-25408	559.4	839.1	1118.8	1398.5	565.7	848.5	1131.3	1414.2	61050	Compliant	82	318	62	4,005
LAVE-25410	611.1	916.7	1222.3	1527.9	635.3	952.9	1270.5	1588.2	59750	Compliant	82	318	62	4,046
LAVE-25412	647.3	971.0	1294.6	1618.3	683.2	1024.8	1366.4	1708.0	58350	No	82	318	62	4,129
LEVE-26308	564.9	847.3	1129.7	1412.1	556.9	835.4	1113.9	1392.3	75600	Compliant	130	532	63	4,759
LEVE-26310	635.5	953.3	1271.1	1588.9	636.2	954.3	1272.3	1590.4	74400	Compliant	130	532	63	4,796
LEVE-26312	684.9	1027.4	1369.9	1712.4	699.9	1049.8	1399.7	1749.6	73200	No	130	532	63	4,870
LEVE-26408	671.3	1006.9	1342.5	1678.2	678.8	1018.2	1357.6	1697.0	73260	Compliant	168	708	63	5,218
LEVE-26410	733.4	1100.1	1466.7	1833.4	762.3	1143.5	1524.6	1905.8	71700	Compliant	168	708	63	5,268
LEVE-26412	776.8	1165.2	1553.6	1942.0	819.8	1229.8	1639.7	2049.6	70020	No	168	708	63	5,366
LEVE-27308	659.0	988.5	1318.0	1647.5	649.8	974.6	1299.5	1624.4	88200	Compliant	152	620	64	5,691
LEVE-27310	741.5	1112.2	1482.9	1853.7	742.2	1113.3	1484.4	1855.5	86800	Compliant	152	620	64	5,734
LEVE-27312	799.1	1198.7	1598.2	1997.8	816.5	1224.7	1633.0	2041.2	85400	No	152	620	64	5,826
LEVE-27408	783.1	1174.7	1566.3	1957.9	791.9	1187.9	1583.8	1979.8	85470	Compliant	196	826	64	6,208
LEVE-27410	855.6	1283.4	1711.2	2139.0	889.4	1334.0	1778.7	2223.4	83650	Compliant	196	826	64	6,266
LEVE-27412	906.2	1359.4	1812.5	2265.6	956.5	1434.7	1913.0	2391.2	81690	No	196	826	64	6,382

See NOTES on 50 HZ operation and TEMPERATURE DIFFERENCE on page 23. See Correction Factor Table for refrigerant charge on page 22.

CEC TITLE 24 COMPLIANT indicates condenser meets the 65 BTU/H / watt efficiency requirement. To complete the Title 24 compliance, fan speed must vary requiring an additional VFD and controller on fixed speed motors (F, A, C, E, and B).

Krack recommends the K motor option which has variable speed capability and need only a controller to provide the 0-10 V control signal to meet the regulation.

Levitor II Series Air-Cooled Condenser

(Available for Fluid Cooler Applications)

LAVA Performance Data

(1 HP - 850 RPM)

ONE FAN WIDE														
MODEL	TOTAL HEAT OF REJECTION (MBH)								AIR FLOW (CFM)	CEC TITLE 24 COMPLIANT	CONDENSER CHARGE R-404A (LBS)		EST SOUND 10' (dBA)	SHIP WEIGHT (LBS)
	R-404A, R-507A				R-407A, R-448A / R-449A						SUMMER	WINTER		
	TEMPERATURE DIFFERENCE				TEMPERATURE DIFFERENCE									
	10° F	15° F	20° F	25° F	10° F	15° F	20° F	25° F						
LAVA-11208	41.9	62.8	83.8	104.7	40.3	60.5	80.7	100.8	9260	No	4	17	63	437
LAVA-11210	48.8	73.2	97.6	122.0	47.3	71.0	94.6	118.3	9151	No	4	17	63	439
LAVA-11212	54.3	81.5	108.7	135.8	53.4	80.1	106.8	133.5	9040	No	4	17	63	444
LAVA-11308	58.4	87.6	116.9	146.1	56.4	84.5	112.7	140.9	8933	No	6	25	63	466
LAVA-11310	65.4	98.1	130.8	163.5	65.0	97.5	130.0	162.4	8760	Compliant	6	25	63	469
LAVA-11312	71.9	107.9	143.9	179.8	72.3	108.5	144.6	180.8	8574	No	6	25	63	478
LAVA-11408	69.6	104.5	139.3	174.1	68.8	103.1	137.5	171.9	8582	Compliant	8	33	63	495
LAVA-11410	76.2	114.3	152.4	190.5	77.4	116.2	154.9	193.6	8314	Compliant	8	33	63	499
LAVA-11412	81.2	121.7	162.3	202.9	83.8	125.8	167.7	209.6	8025	No	8	33	63	508
LAVA-12208	83.8	125.6	167.5	209.4	80.7	121.0	161.3	201.7	18520	No	9	32	66	718
LAVA-12210	97.6	146.4	195.1	243.9	94.6	141.9	189.2	236.5	18302	No	9	32	66	721
LAVA-12212	108.7	163.0	217.3	271.7	106.8	160.2	213.7	267.1	18080	No	9	32	66	729
LAVA-12308	116.9	175.3	233.7	292.2	112.7	169.1	225.5	281.8	17866	No	13	48	66	773
LAVA-12310	130.8	196.2	261.6	327.0	130.0	194.9	259.9	324.9	17520	Compliant	13	48	66	779
LAVA-12312	143.9	215.8	287.7	359.6	144.6	217.0	289.3	361.6	17148	No	13	48	66	792
LAVA-12408	139.3	208.9	278.5	348.2	137.5	206.3	275.0	343.8	17164	Compliant	17	64	66	830
LAVA-12410	152.4	228.7	304.9	381.1	154.9	232.3	309.8	387.2	16628	Compliant	17	64	66	838
LAVA-12412	162.3	243.5	324.6	405.8	167.7	251.5	335.3	419.2	16050	No	17	64	66	855
LAVA-13210	146.4	219.5	292.7	365.9	141.9	212.9	283.8	354.8	27453	No	13	48	68	1,041
LAVA-13212	163.0	244.5	326.0	407.5	160.2	240.4	320.5	400.6	27120	No	13	48	68	1,060
LAVA-13308	175.3	262.9	350.6	438.2	169.1	253.6	338.2	422.7	26799	No	18	72	68	1,126
LAVA-13310	196.2	294.3	392.4	490.5	194.9	292.4	389.9	487.3	26280	Compliant	18	72	68	1,135
LAVA-13312	215.8	323.7	431.6	539.4	217.0	325.5	433.9	542.4	25722	No	18	72	68	1,153
LAVA-13408	208.9	313.4	417.8	522.3	206.3	309.4	412.5	515.6	25746	Compliant	24	96	68	1,210
LAVA-13410	228.7	343.0	457.3	571.6	232.3	348.5	464.6	580.8	24942	Compliant	24	96	68	1,223
LAVA-13412	243.5	365.2	486.9	608.7	251.5	377.3	503.0	628.8	24075	No	24	96	68	1,247
LAVA-14308	233.7	350.6	467.4	584.3	225.5	338.2	450.9	563.7	35732	No	24	96	69	1,437
LAVA-14310	261.6	392.4	523.2	654.0	259.9	389.9	519.8	649.8	35040	Compliant	24	96	69	1,449
LAVA-14312	287.7	431.6	575.4	719.3	289.3	433.9	578.6	723.2	34296	No	24	96	69	1,474
LAVA-14408	278.5	417.8	557.1	696.3	275.0	412.5	550.0	687.5	34328	Compliant	32	127	69	1,550
LAVA-14410	304.9	457.3	609.7	762.2	309.8	464.6	619.5	774.4	33256	Compliant	32	127	69	1,566
LAVA-14412	324.6	486.9	649.2	811.6	335.3	503.0	670.7	838.4	32100	No	32	127	69	1,599
LAVA-15308	292.2	438.2	584.3	730.4	281.8	422.7	563.7	704.6	44665	No	32	119	70	2,020
LAVA-15310	327.0	490.5	654.0	817.5	324.9	487.3	649.8	812.2	43800	Compliant	32	119	70	2,035
LAVA-15312	359.6	539.4	719.3	899.1	361.6	542.4	723.2	904.1	42870	No	32	119	70	2,066
LAVA-15408	348.2	522.3	696.3	870.4	343.8	515.6	687.5	859.4	42910	Compliant	41	159	70	2,160
LAVA-15410	381.1	571.6	762.2	952.7	387.2	580.8	774.4	968.0	41570	Compliant	41	159	70	2,181
LAVA-15412	405.8	608.7	811.6	1014.5	419.2	628.8	838.4	1047.9	40125	No	41	159	70	2,222
LEVA-16308	350.6	525.9	701.2	876.5	338.2	507.3	676.4	845.5	53598	No	65	266	71	2,554
LEVA-16310	392.4	588.6	784.8	981.0	389.9	584.8	779.7	974.7	52560	Compliant	65	266	71	2,573
LEVA-16312	431.6	647.3	863.1	1078.9	433.9	650.9	867.9	1084.9	51444	No	65	266	71	2,610
LEVA-16408	417.8	626.7	835.6	1044.5	412.5	618.8	825.0	1031.3	51492	Compliant	84	354	71	2,784
LEVA-16410	457.3	686.0	914.6	1143.3	464.6	697.0	929.3	1161.6	49884	Compliant	84	354	71	2,808
LEVA-16412	486.9	730.4	973.9	1217.3	503.0	754.5	1006.0	1257.5	48150	No	84	354	71	2,858
LEVA-17308	409.0	613.5	818.0	1022.5	394.6	591.8	789.1	986.4	62531	Compliant	76	310	72	3,020
LEVA-17310	457.8	686.7	915.6	1144.5	454.8	682.3	909.7	1137.1	61320	Compliant	76	310	72	3,042
LEVA-17312	503.5	755.2	1007.0	1258.7	506.3	759.4	1012.5	1265.7	60018	No	76	310	72	3,088
LEVA-17408	487.4	731.2	974.9	1218.6	481.3	721.9	962.5	1203.2	60074	Compliant	98	413	72	3,279
LEVA-17410	533.5	800.3	1067.1	1333.8	542.1	813.1	1084.1	1355.2	58198	Compliant	98	413	72	3,307
LEVA-17412	568.1	852.1	1136.2	1420.2	586.8	880.3	1173.7	1467.1	56175	No	98	413	72	3,366

See NOTES on 50 HZ operation and TEMPERATURE DIFFERENCE on page 23. See Correction Factor Table for refrigerant charge on page 22.

CEC TITLE 24 COMPLIANT indicates condenser meets the 65 BTU/H / watt efficiency requirement. To complete the Title 24 compliance, fan speed must vary requiring an additional VFD and controller on fixed speed motors (F, A, C, E, and B).

Krack recommends the K motor option which has variable speed capability and need only a controller to provide the 0-10 V control signal to meet the regulation.

Levitor II Series Air-Cooled Condenser

(Available for Fluid Cooler Applications)

LAVA Performance Data

(1 HP - 850 RPM)

TWO FANS WIDE														
MODEL	TOTAL HEAT OF REJECTION (MBH)								AIR FLOW (CFM)	CEC TITLE 24 COMPLIANT	CONDENSER CHARGE R-404A (LBS)		EST SOUND 10' (dBA)	SHIP WEIGHT (LBS)
	R-404A, R-507A				R-407A, R-448A / R-449A						SUMMER	WINTER		
	TEMPERATURE DIFFERENCE				TEMPERATURE DIFFERENCE									
	10° F	15° F	20° F	25° F	10° F	15° F	20° F	25° F						
LAVA-22208	167.5	251.3	335.0	418.8	161.3	242.0	322.7	403.4	37040	No	18	64	69	1,311
LAVA-22210	195.1	292.7	390.3	487.9	189.2	283.8	378.4	473.0	36604	No	18	64	69	1,320
LAVA-22212	217.3	326.0	434.6	543.3	213.7	320.5	427.3	534.1	36160	No	18	64	69	1,336
LAVA-22308	233.7	350.6	467.4	584.3	225.5	338.2	450.9	563.7	35732	No	26	96	69	1,425
LAVA-22310	261.6	392.4	523.2	654.0	259.9	389.9	519.8	649.8	35040	Compliant	26	96	69	1,437
LAVA-22312	287.7	431.6	575.4	719.3	289.3	433.9	578.6	723.2	34296	No	26	96	69	1,462
LAVA-22408	278.5	417.8	557.1	696.3	275.0	412.5	550.0	687.5	34328	Compliant	34	128	69	1,539
LAVA-22410	304.9	457.3	609.7	762.2	309.8	464.6	619.5	774.4	33256	Compliant	34	128	69	1,555
LAVA-22412	324.6	486.9	649.2	811.6	335.3	503.0	670.7	838.4	32100	No	34	128	69	1,588
LAVA-23210	292.7	439.1	585.4	731.8	283.8	425.7	567.6	709.5	54906	No	26	96	71	1,875
LAVA-23212	326.0	489.0	652.0	815.0	320.5	480.7	641.0	801.2	54240	No	26	96	71	1,912
LAVA-23308	350.6	525.9	701.2	876.5	338.2	507.3	676.4	845.5	53598	No	36	144	71	2,044
LAVA-23310	392.4	588.6	784.8	981.0	389.9	584.8	779.7	974.7	52560	Compliant	36	144	71	2,063
LAVA-23312	431.6	647.3	863.1	1078.9	433.9	650.9	867.9	1084.9	51444	No	36	144	71	2,100
LAVA-23408	417.8	626.7	835.6	1044.5	412.5	618.8	825.0	1031.3	51492	Compliant	48	192	71	2,214
LAVA-23410	457.3	686.0	914.6	1143.3	464.6	697.0	929.3	1161.6	49884	Compliant	48	192	71	2,238
LAVA-23412	486.9	730.4	973.9	1217.3	503.0	754.5	1006.0	1257.5	48150	No	48	192	71	2,287
LAVA-24308	467.4	701.2	934.9	1168.6	450.9	676.4	901.8	1127.3	71464	No	48	192	72	2,526
LAVA-24310	523.2	784.8	1046.4	1308.0	519.8	779.7	1039.6	1299.6	70080	Compliant	48	192	72	2,651
LAVA-24312	575.4	863.1	1150.8	1438.5	578.6	867.9	1157.2	1446.5	68592	No	48	192	72	2,700
LAVA-24408	557.1	835.6	1114.1	1392.7	550.0	825.0	1100.0	1375.0	68656	Compliant	64	254	72	2,851
LAVA-24410	609.7	914.6	1219.5	1524.4	619.5	929.3	1239.0	1548.8	66512	Compliant	64	254	72	2,884
LAVA-24412	649.2	973.9	1298.5	1623.1	670.7	1006.0	1341.4	1676.7	64200	No	64	254	72	2,950
LAVA-25308	584.3	876.5	1168.6	1460.8	563.7	845.5	1127.3	1409.1	89330	No	64	238	73	3,725
LAVA-25310	654.0	981.0	1308.0	1635.0	649.8	974.7	1299.6	1624.5	87600	Compliant	64	238	73	3,755
LAVA-25312	719.3	1078.9	1438.5	1798.2	723.2	1084.9	1446.5	1808.1	85740	No	64	238	73	3,817
LAVA-25408	696.3	1044.5	1392.7	1740.9	687.5	1031.3	1375.0	1718.8	85820	Compliant	82	318	73	4,005
LAVA-25410	762.2	1143.3	1524.4	1905.5	774.4	1161.6	1548.8	1936.0	83140	Compliant	82	318	73	4,046
LAVA-25412	811.6	1217.3	1623.1	2028.9	838.4	1257.5	1676.7	2095.9	80250	No	82	318	73	4,129
LEVA-26308	701.2	1051.7	1402.3	1752.9	676.4	1014.6	1352.8	1691.0	107196	No	130	532	74	4,759
LEVA-26310	784.8	1177.2	1569.6	1962.0	779.7	1169.6	1559.5	1949.3	105120	Compliant	130	532	74	4,796
LEVA-26312	863.1	1294.7	1726.2	2157.8	867.9	1301.8	1735.8	2169.7	102888	No	130	532	74	4,870
LEVA-26408	835.6	1253.4	1671.2	2089.0	825.0	1237.5	1650.0	2062.6	102984	Compliant	168	708	74	5,218
LEVA-26410	914.6	1371.9	1829.2	2286.5	929.3	1393.9	1858.5	2323.2	99768	Compliant	168	708	74	5,268
LEVA-26412	973.9	1460.8	1947.7	2434.7	1006.0	1509.0	2012.0	2515.1	96300	No	168	708	74	5,366
LEVA-27308	818.0	1227.0	1636.0	2045.1	789.1	1183.7	1578.2	1972.8	125062	Compliant	152	620	75	5,691
LEVA-27310	915.6	1373.4	1831.2	2289.0	909.7	1364.5	1819.4	2274.2	122640	Compliant	152	620	75	5,734
LEVA-27312	1007.0	1510.4	2013.9	2517.4	1012.5	1518.8	2025.1	2531.3	120036	No	152	620	75	5,826
LEVA-27408	974.9	1462.3	1949.8	2437.2	962.5	1443.8	1925.1	2406.3	120148	Compliant	196	826	75	6,208
LEVA-27410	1067.1	1600.6	2134.1	2667.6	1084.1	1626.2	2168.3	2710.4	116396	Compliant	196	826	75	6,266
LEVA-27412	1136.2	1704.3	2272.4	2840.5	1173.7	1760.5	2347.4	2934.2	112350	No	196	826	75	6,382

See NOTES on 50 HZ operation and TEMPERATURE DIFFERENCE on page 23. See Correction Factor Table for refrigerant charge on page 22.

CEC TITLE 24 COMPLIANT indicates condenser meets the 65 BTU/H / watt efficiency requirement. To complete the Title 24 compliance, fan speed must vary requiring an additional VFD and controller on fixed speed motors (F, A, C, E, and B).

Krack recommends the K motor option which has variable speed capability and need only a controller to provide the 0-10 V control signal to meet the regulation.

Levitor II Series Air-Cooled Condenser

(Available for Fluid Cooler Applications)

LAVC Performance Data

1.5 HP - 850 RPM)

ONE FAN WIDE														
MODEL	TOTAL HEAT OF REJECTION (MBH)								AIR FLOW (CFM)	CEC TITLE 24 COMPLIANT	CONDENSER CHARGE R-404A (LBS)		EST SOUND 10' (dBA)	SHIP WEIGHT (LBS)
	R-404A, R-507A				R-407A, R-448A / R-449A						SUMMER	WINTER		
	TEMPERATURE DIFFERENCE				TEMPERATURE DIFFERENCE									
10° F	15° F	20° F	25° F	10° F	15° F	20° F	25° F							
LAVC-11208	44.6	66.9	89.2	111.5	43.2	64.9	86.5	108.1	10967	No	4	17	65	437
LAVC-11210	51.8	77.7	103.6	129.5	50.4	75.6	100.8	126.0	10682	No	4	17	65	439
LAVC-11212	57.6	86.5	115.3	144.1	56.7	85.0	113.3	141.7	10409	No	4	17	65	444
LAVC-11308	61.5	92.3	123.1	153.8	59.9	89.9	119.9	149.9	10159	No	6	25	65	466
LAVC-11310	69.1	103.6	138.2	172.7	68.8	103.2	137.6	172.0	9785	No	6	25	65	469
LAVC-11312	75.8	113.7	151.6	189.6	75.9	113.9	151.8	189.8	9441	No	6	25	65	478
LAVC-11408	72.1	108.1	144.1	180.1	72.3	108.5	144.6	180.8	9449	No	8	33	65	495
LAVC-11410	80.0	120.0	160.1	200.1	80.8	121.3	161.7	202.1	9031	Compliant	8	33	65	499
LAVC-11412	85.0	127.5	170.0	212.5	87.7	131.6	175.4	219.3	8660	No	8	33	65	508
LAVC-12208	89.2	133.8	178.4	222.9	86.5	129.7	173.0	216.2	21934	No	9	32	68	718
LAVC-12210	103.6	155.4	207.2	259.0	100.8	151.2	201.6	251.9	21364	No	9	32	68	721
LAVC-12212	115.3	172.9	230.6	288.2	113.3	170.0	226.6	283.3	20818	No	9	32	68	729
LAVC-12308	123.1	184.6	246.1	307.7	119.9	179.8	239.8	299.7	20318	No	13	48	68	773
LAVC-12310	138.2	207.2	276.3	345.4	137.6	206.4	275.2	344.0	19570	No	13	48	68	779
LAVC-12312	151.6	227.5	303.3	379.1	151.8	227.7	303.6	379.5	18882	No	13	48	68	792
LAVC-12408	144.1	216.2	288.2	360.3	144.6	216.9	289.2	361.5	18898	No	17	64	68	830
LAVC-12410	160.1	240.1	320.1	400.1	161.7	242.5	323.4	404.2	18062	Compliant	17	64	68	838
LAVC-12412	170.0	255.0	340.0	425.0	175.4	263.1	350.9	438.6	17320	No	17	64	68	855
LAVC-13210	155.4	233.1	310.8	388.5	151.2	226.8	302.3	377.9	32046	No	13	48	70	1,041
LAVC-13212	172.9	259.4	345.9	432.4	170.0	255.0	340.0	425.0	31227	No	13	48	70	1,060
LAVC-13308	184.6	276.9	369.2	461.5	179.8	269.7	359.7	449.6	30477	No	18	72	70	1,126
LAVC-13310	207.2	310.9	414.5	518.1	206.4	309.6	412.8	516.0	29355	No	18	72	70	1,135
LAVC-13312	227.5	341.2	454.9	568.7	227.7	341.6	455.4	569.3	28323	No	18	72	70	1,153
LAVC-13408	216.2	324.2	432.3	540.4	216.9	325.4	433.8	542.3	28347	No	24	96	70	1,210
LAVC-13410	240.1	360.1	480.2	600.2	242.5	363.8	485.0	606.3	27093	Compliant	24	96	70	1,223
LAVC-13412	255.0	382.5	510.0	637.5	263.1	394.7	526.3	657.9	25980	No	24	96	70	1,247
LAVC-14308	246.1	369.2	492.2	615.3	239.8	359.7	479.5	599.4	40636	No	24	96	71	1,437
LAVC-14310	276.3	414.5	552.6	690.8	275.2	412.8	550.4	688.0	39140	No	24	96	71	1,449
LAVC-14312	303.3	454.9	606.6	758.2	303.6	455.4	607.2	759.0	37764	No	24	96	71	1,474
LAVC-14408	288.2	432.3	576.4	720.5	289.2	433.8	578.5	723.1	37796	No	32	127	71	1,550
LAVC-14410	320.1	480.2	640.2	800.3	323.4	485.0	646.7	808.4	36124	Compliant	32	127	71	1,566
LAVC-14412	340.0	510.0	680.0	850.0	350.9	526.3	701.7	877.2	34640	No	32	127	71	1,599
LAVC-15308	307.7	461.5	615.3	769.1	299.7	449.6	599.4	749.3	50795	No	32	119	72	2,020
LAVC-15310	345.4	518.1	690.8	863.5	344.0	516.0	688.0	860.0	48925	No	32	119	72	2,035
LAVC-15312	379.1	568.7	758.2	947.8	379.5	569.3	759.0	948.8	47205	No	32	119	72	2,066
LAVC-15408	360.3	540.4	720.5	900.7	361.5	542.3	723.1	903.9	47245	No	41	159	72	2,160
LAVC-15410	400.1	600.2	800.3	1000.4	404.2	606.3	808.4	1010.5	45155	Compliant	41	159	72	2,181
LAVC-15412	425.0	637.5	850.0	1062.4	438.6	657.9	877.2	1096.5	43300	No	41	159	72	2,222
LEVC-16308	369.2	553.8	738.4	923.0	359.7	539.5	719.3	899.1	60954	No	65	266	73	2,554
LEVC-16310	414.5	621.7	828.9	1036.2	412.8	619.2	825.6	1032.0	58710	No	65	266	73	2,573
LEVC-16312	454.9	682.4	909.8	1137.3	455.4	683.1	910.8	1138.5	56646	No	65	266	73	2,610
LEVC-16408	432.3	648.5	864.6	1080.8	433.8	650.8	867.7	1084.6	56694	No	84	354	73	2,784
LEVC-16410	480.2	720.3	960.3	1200.4	485.0	727.6	970.1	1212.6	54186	Compliant	84	354	73	2,808
LEVC-16412	510.0	765.0	1019.9	1274.9	526.3	789.4	1052.6	1315.7	51960	No	84	354	73	2,858
LEVC-17308	430.7	646.1	861.4	1076.8	419.6	629.4	839.2	1049.0	71113	Compliant	76	310	74	3,020
LEVC-17310	483.5	725.3	967.1	1208.9	481.6	722.4	963.2	1203.9	68495	Compliant	76	310	74	3,042
LEVC-17312	530.7	796.1	1061.5	1326.9	531.3	797.0	1062.6	1328.3	66087	No	76	310	74	3,088
LEVC-17408	504.4	756.6	1008.8	1260.9	506.2	759.2	1012.3	1265.4	66143	Compliant	98	413	74	3,279
LEVC-17410	560.2	840.3	1120.4	1400.5	565.9	848.8	1131.8	1414.7	63217	Compliant	98	413	74	3,307
LEVC-17412	595.0	892.4	1189.9	1487.4	614.0	921.0	1228.0	1535.0	60620	No	98	413	74	3,366

See NOTES on 50 HZ operation and TEMPERATURE DIFFERENCE on page 23. See Correction Factor Table for refrigerant charge on page 22.

CEC TITLE 24 COMPLIANT indicates condenser meets the 65 BTU/H / watt efficiency requirement. To complete the Title 24 compliance, fan speed must vary requiring an additional VFD and controller on fixed speed motors (F, A, C, E, and B).

Krack recommends the K motor option which has variable speed capability and need only a controller to provide the 0-10 V control signal to meet the regulation.

Levitor II Series Air-Cooled Condenser

(Available for Fluid Cooler Applications)

LAVC Performance Data

(1.5 HP - 850 RPM)

TWO FANS WIDE														
MODEL	TOTAL HEAT OF REJECTION (MBH)								AIR FLOW (CFM)	CEC TITLE 24 COMPLIANT	CONDENSER CHARGE R-404A (LBS)		EST SOUND 10' (dBA)	SHIP WEIGHT (LBS)
	R-404A, R-507A				R-407A, R-448A / R-449A						SUMMER	WINTER		
	TEMPERATURE DIFFERENCE													
	10° F	15° F	20° F	25° F	10° F	15° F	20° F	25° F						
LAVC-22208	178.4	267.5	356.7	445.9	173.0	259.5	346.0	432.5	43868	No	18	64	71	1,311
LAVC-22210	207.2	310.8	414.4	518.1	201.6	302.3	403.1	503.9	42728	No	18	64	71	1,320
LAVC-22212	230.6	345.9	461.2	576.5	226.6	340.0	453.3	566.6	41636	No	18	64	71	1,336
LAVC-22308	246.1	369.2	492.2	615.3	239.8	359.7	479.5	599.4	40636	No	26	96	71	1,425
LAVC-22310	276.3	414.5	552.6	690.8	275.2	412.8	550.4	688.0	39140	No	26	96	71	1,437
LAVC-22312	303.3	454.9	606.6	758.2	303.6	455.4	607.2	759.0	37764	No	26	96	71	1,462
LAVC-22408	288.2	432.3	576.4	720.5	289.2	433.8	578.5	723.1	37796	No	34	128	71	1,539
LAVC-22410	320.1	480.2	640.2	800.3	323.4	485.0	646.7	808.4	36124	Compliant	34	128	71	1,555
LAVC-22412	340.0	510.0	680.0	850.0	350.9	526.3	701.7	877.2	34640	No	34	128	71	1,588
LAVC-23210	310.8	466.3	621.7	777.1	302.3	453.5	604.7	755.8	64092	No	26	96	73	1,875
LAVC-23212	345.9	518.8	691.8	864.7	340.0	510.0	679.9	849.9	62454	No	26	96	73	1,912
LAVC-23308	369.2	553.8	738.4	923.0	359.7	539.5	719.3	899.1	60954	No	36	144	73	2,044
LAVC-23310	414.5	621.7	828.9	1036.2	412.8	619.2	825.6	1032.0	58710	No	36	144	73	2,063
LAVC-23312	454.9	682.4	909.8	1137.3	455.4	683.1	910.8	1138.5	56646	No	36	144	73	2,100
LAVC-23408	432.3	648.5	864.6	1080.8	433.8	650.8	867.7	1084.6	56694	No	48	192	73	2,214
LAVC-23410	480.2	720.3	960.3	1200.4	485.0	727.6	970.1	1212.6	54186	Compliant	48	192	73	2,238
LAVC-23412	510.0	765.0	1019.9	1274.9	526.3	789.4	1052.6	1315.7	51960	No	48	192	73	2,287
LAVC-24308	492.2	738.4	984.5	1230.6	479.5	719.3	959.1	1198.9	81272	No	48	192	74	2,526
LAVC-24310	552.6	828.9	1105.2	1381.6	550.4	825.6	1100.8	1375.9	78280	No	48	192	74	2,651
LAVC-24312	606.6	909.8	1213.1	1516.4	607.2	910.8	1214.4	1518.0	75528	No	48	192	74	2,700
LAVC-24408	576.4	864.6	1152.9	1441.1	578.5	867.7	1156.9	1446.2	75592	No	64	254	74	2,851
LAVC-24410	640.2	960.3	1280.4	1600.6	646.7	970.1	1293.4	1616.8	72248	Compliant	64	254	74	2,884
LAVC-24412	680.0	1019.9	1359.9	1699.9	701.7	1052.6	1403.5	1754.3	69280	No	64	254	74	2,950
LAVC-25308	615.3	923.0	1230.6	1538.3	599.4	899.1	1198.9	1498.6	101590	No	64	238	75	3,725
LAVC-25310	690.8	1036.2	1381.6	1727.0	688.0	1032.0	1375.9	1719.9	97850	No	64	238	75	3,755
LAVC-25312	758.2	1137.3	1516.4	1895.5	759.0	1138.5	1518.0	1897.5	94410	No	64	238	75	3,817
LAVC-25408	720.5	1080.8	1441.1	1801.4	723.1	1084.6	1446.2	1807.7	94490	No	82	318	75	4,005
LAVC-25410	800.3	1200.4	1600.6	2000.7	808.4	1212.6	1616.8	2021.0	90310	Compliant	82	318	75	4,046
LAVC-25412	850.0	1274.9	1699.9	2124.9	877.2	1315.7	1754.3	2192.9	86600	No	82	318	75	4,129
LEVC-26308	738.4	1107.5	1476.7	1845.9	719.3	1079.0	1438.6	1798.3	121908	No	130	532	76	4,759
LEVC-26310	828.9	1243.4	1657.9	2072.3	825.6	1238.3	1651.1	2063.9	117420	No	130	532	76	4,796
LEVC-26312	909.8	1364.8	1819.7	2274.6	910.8	1366.2	1821.6	2277.0	113292	No	130	532	76	4,870
LEVC-26408	864.6	1297.0	1729.3	2161.6	867.7	1301.5	1735.4	2169.2	113388	No	168	708	76	5,218
LEVC-26410	960.3	1440.5	1920.7	2400.8	970.1	1455.1	1940.2	2425.2	108372	Compliant	168	708	76	5,268
LEVC-26412	1019.9	1529.9	2039.9	2549.9	1052.6	1578.9	2105.2	2631.5	103920	No	168	708	76	5,366
LEVC-27308	861.4	1292.1	1722.8	2153.6	839.2	1258.8	1678.4	2098.0	142226	Compliant	152	620	77	5,691
LEVC-27310	967.1	1450.6	1934.2	2417.7	963.2	1444.7	1926.3	2407.9	136990	Compliant	152	620	77	5,734
LEVC-27312	1061.5	1592.2	2123.0	2653.7	1062.6	1593.9	2125.2	2656.5	132174	No	152	620	77	5,826
LEVC-27408	1008.8	1513.1	2017.5	2521.9	1012.3	1518.5	2024.6	2530.8	132286	Compliant	196	826	77	6,208
LEVC-27410	1120.4	1680.6	2240.8	2801.0	1131.8	1697.6	2263.5	2829.4	126434	Compliant	196	826	77	6,266
LEVC-27412	1189.9	1784.9	2379.9	2974.8	1228.0	1842.0	2456.0	3070.1	121240	No	196	826	77	6,382

See NOTES on 50 HZ operation and TEMPERATURE DIFFERENCE on page 23. See Correction Factor Table for refrigerant charge on page 22.

CEC TITLE 24 COMPLIANT indicates condenser meets the 65 BTU/H / watt efficiency requirement. To complete the Title 24 compliance, fan speed must vary requiring an additional VFD and controller on fixed speed motors (F, A, C, E, and B).

Krack recommends the K motor option which has variable speed capability and need only a controller to provide the 0-10 V control signal to meet the regulation.

Levitor II Series Air-Cooled Condenser

(Available for Fluid Cooler Applications)

LAVB Performance Data

(0.5 HP - 1140 RPM)

ONE FAN WIDE														
MODEL	TOTAL HEAT OF REJECTION (MBH)								AIR FLOW (CFM)	CEC TITLE 24 COMPLIANT	CONDENSER CHARGE R-404A (LBS)		EST SOUND 10' (dBA)	SHIP WEIGHT (LBS)
	R-404A, R-507A				R-407A, R-448A / R-449A						SUMMER	WINTER		
	TEMPERATURE DIFFERENCE		TEMPERATURE DIFFERENCE		TEMPERATURE DIFFERENCE		TEMPERATURE DIFFERENCE							
10° F	15° F	20° F	25° F	10° F	15° F	20° F	25° F							
LAVB-11208	27.5	41.2	54.9	68.7	26.5	39.7	52.9	66.1	6900	No	3	10	65	178
LAVB-11210	32.0	48.1	64.1	80.1	31.2	46.7	62.3	77.9	6750	No	3	10	65	181
LAVB-11212	35.8	53.6	71.5	89.4	35.0	52.5	70.0	87.5	6606	No	3	10	65	184
LAVB-11308	38.4	57.6	76.8	96.0	37.5	56.2	74.9	93.7	6594	No	4	15	65	180
LAVB-11310	43.7	65.6	87.4	109.3	43.3	64.9	86.5	108.1	6400	Compliant	4	15	65	185
LAVB-11312	48.0	72.0	96.0	120.0	47.7	71.6	95.5	119.3	6217	No	4	15	65	190
LAVB-11408	45.9	68.9	91.9	114.9	45.8	68.6	91.5	114.4	6224	Compliant	5	20	65	193
LAVB-11410	51.3	76.9	102.6	128.2	51.7	77.5	103.4	129.2	6000	Compliant	5	20	65	200
LAVB-11412	55.1	82.6	110.2	137.7	56.3	84.4	112.5	140.7	5799	No	5	20	65	207
LAVB-12208	54.9	82.4	109.9	137.4	52.9	79.4	105.8	132.3	13800	No	6	19	68	346
LAVB-12210	64.1	96.1	128.2	160.2	62.3	93.5	124.7	155.8	13500	No	6	19	68	352
LAVB-12212	71.5	107.3	143.0	178.8	70.0	105.0	140.0	175.1	13212	No	6	19	68	358
LAVB-12308	76.8	115.2	153.6	192.0	74.9	112.4	149.9	187.4	13188	No	8	29	68	362
LAVB-12310	87.4	131.2	174.9	218.6	86.5	129.8	173.0	216.3	12800	Compliant	8	29	68	372
LAVB-12312	96.0	144.0	192.0	240.0	95.5	143.2	190.9	238.6	12434	No	8	29	68	382
LAVB-12408	91.9	137.8	183.8	229.7	91.5	137.3	183.1	228.8	12448	Compliant	10	38	68	386
LAVB-12410	102.6	153.9	205.2	256.5	103.4	155.1	206.8	258.5	12000	Compliant	10	38	68	400
LAVB-12412	110.2	165.3	220.3	275.4	112.5	168.8	225.1	281.3	11598	No	10	38	68	413
LAVB-13308	115.2	172.8	230.4	288.0	112.4	168.6	224.8	281.0	19782	No	11	42	70	544
LAVB-13310	131.2	196.8	262.3	327.9	129.8	194.6	259.5	324.4	19200	Compliant	11	42	70	559
LAVB-13312	144.0	216.0	288.0	360.0	143.2	214.8	286.4	357.9	18651	No	11	42	70	574
LAVB-13408	137.8	206.8	275.7	344.6	137.3	205.9	274.6	343.2	18672	Compliant	14	57	70	580
LAVB-13410	153.9	230.8	307.8	384.7	155.1	232.6	310.2	387.7	18000	Compliant	14	57	70	600
LAVB-13412	165.3	247.9	330.5	413.1	168.8	253.2	337.6	422.0	17397	No	14	57	70	620
LAVB-14308	153.6	230.4	307.2	384.0	149.9	224.8	299.8	374.7	26376	No	14	56	71	820
LAVB-14310	174.9	262.3	349.8	437.2	173.0	259.5	346.0	432.5	25600	Compliant	14	56	71	840
LAVB-14312	192.0	288.0	384.0	480.0	190.9	286.4	381.8	477.3	24868	No	14	56	71	860
LAVB-14408	183.8	275.7	367.6	459.5	183.1	274.6	366.1	457.7	24896	Compliant	19	75	71	873
LAVB-14410	205.2	307.8	410.3	512.9	206.8	310.2	413.6	517.0	24000	Compliant	19	75	71	900
LAVB-14412	220.3	330.5	440.7	550.9	225.1	337.6	450.1	562.7	23196	No	19	75	71	927
LAVB-15308	192.0	288.0	384.0	479.9	187.4	281.0	374.7	468.4	32970	No	18	70	72	836
LAVB-15310	218.6	327.9	437.2	546.5	216.3	324.4	432.5	540.7	32000	Compliant	18	70	72	861
LAVB-15312	240.0	360.0	480.0	600.0	238.6	357.9	477.3	596.6	31085	No	18	70	72	886
LAVB-15408	229.7	344.6	459.5	574.4	228.8	343.2	457.7	572.1	31120	Compliant	23	94	72	917
LAVB-15410	256.5	384.7	512.9	641.2	258.5	387.7	517.0	646.2	30000	Compliant	23	94	72	950
LAVB-15412	275.4	413.1	550.9	688.6	281.3	422.0	562.7	703.3	28995	No	23	94	72	983
LAVB-16308	230.4	345.6	460.7	575.9	224.8	337.2	449.7	562.1	39564	No	22	85	73	1,040
LAVB-16310	262.3	393.5	524.7	655.8	259.5	389.3	519.0	648.8	38400	Compliant	22	85	73	1,070
LAVB-16312	288.0	432.0	576.0	720.0	286.4	429.5	572.7	715.9	37302	No	22	85	73	1,100
LAVB-16408	275.7	413.5	551.4	689.2	274.6	411.9	549.2	686.5	37344	Compliant	28	113	73	1,110
LAVB-16410	307.8	461.6	615.5	769.4	310.2	465.3	620.4	775.4	36000	Compliant	28	113	73	1,150
LAVB-16412	330.5	495.8	661.0	826.3	337.6	506.4	675.2	844.0	34794	No	28	113	73	1,190
LAVB-17308	268.8	403.1	537.5	671.9	262.3	393.5	524.6	655.8	46158	No	25	98	74	1,314
LAVB-17310	306.1	459.1	612.1	765.2	302.8	454.1	605.5	756.9	44800	Compliant	25	98	74	1,349
LAVB-17312	336.0	504.0	672.0	840.1	334.1	501.1	668.2	835.2	43519	No	25	98	74	1,384
LAVB-17408	321.6	482.5	643.3	804.1	320.4	480.5	640.7	800.9	43568	Compliant	32	131	74	1,404
LAVB-17410	359.0	538.6	718.1	897.6	361.9	542.8	723.7	904.7	42000	Compliant	32	131	74	1,450
LAVB-17412	385.6	578.4	771.2	964.0	393.9	590.8	787.7	984.6	40593	No	32	131	74	1,497

See NOTES on 50 HZ operation and TEMPERATURE DIFFERENCE on page 23. See Correction Factor Table for refrigerant charge on page 22.

CEC TITLE 24 COMPLIANT indicates condenser meets the 65 BTU/H / watt efficiency requirement. To complete the Title 24 compliance, fan speed must vary requiring an additional VFD and controller on fixed speed motors (F, A, C, E, and B).

Krack recommends the K motor option which has variable speed capability and need only a controller to provide the 0-10 V control signal to meet the regulation.

Levitor II Series Air-Cooled Condenser

(Available for Fluid Cooler Applications)

LAVB Performance Data

(0.5 HP - 1140 RPM)

TWO FANS WIDE														
MODEL	TOTAL HEAT OF REJECTION (MBH)								AIR FLOW (CFM)	CEC TITLE 24 COMPLIANT	CONDENSER CHARGE R-404A (LBS)		EST SOUND 10' (dBA)	SHIP WEIGHT (LBS)
	R-404A, R-507A				R-407A, R-448A / R-449A						SUMMER	WINTER		
	TEMPERATURE DIFFERENCE				TEMPERATURE DIFFERENCE									
	10° F	15° F	20° F	25° F	10° F	15° F	20° F	25° F						
LAVB-22208	109.9	164.8	219.8	274.7	105.8	158.7	211.6	264.5	27600	No	12	38	71	642
LAVB-22210	128.2	192.3	256.4	320.5	124.7	187.0	249.3	311.6	27000	No	12	38	71	654
LAVB-22212	143.0	214.6	286.1	357.6	140.0	210.1	280.1	350.1	26424	No	12	38	71	666
LAVB-22308	153.6	230.4	307.2	384.0	149.9	224.8	299.8	374.7	26376	No	16	58	71	845
LAVB-22310	174.9	262.3	349.8	437.2	173.0	259.5	346.0	432.5	25600	Compliant	16	58	71	865
LAVB-22312	192.0	288.0	384.0	480.0	190.9	286.4	381.8	477.3	24868	No	16	58	71	885
LAVB-22408	183.8	275.7	367.6	459.5	183.1	274.6	366.1	457.7	24896	Compliant	20	76	71	895
LAVB-22410	205.2	307.8	410.3	512.9	206.8	310.2	413.6	517.0	24000	Compliant	20	76	71	925
LAVB-22412	220.3	330.5	440.7	550.9	225.1	337.6	450.1	562.7	23196	No	20	76	71	953
LAVB-23308	230.4	345.6	460.7	575.9	224.8	337.2	449.7	562.1	39564	No	22	84	73	1,088
LAVB-23310	262.3	393.5	524.7	655.8	259.5	389.3	519.0	648.8	38400	Compliant	22	84	73	1,118
LAVB-23312	288.0	432.0	576.0	720.0	286.4	429.5	572.7	715.9	37302	No	22	84	73	1,148
LAVB-23408	275.7	413.5	551.4	689.2	274.6	411.9	549.2	686.5	37344	Compliant	28	114	73	1,185
LAVB-23410	307.8	461.6	615.5	769.4	310.2	465.3	620.4	775.4	36000	Compliant	28	114	73	1,225
LAVB-23412	330.5	495.8	661.0	826.3	337.6	506.4	675.2	844.0	34794	No	28	114	73	1,265
LAVB-24308	307.2	460.7	614.3	767.9	299.8	449.7	599.6	749.4	52752	No	28	112	74	1,665
LAVB-24310	349.8	524.7	699.6	874.5	346.0	519.0	692.0	865.0	51200	Compliant	28	112	74	1,705
LAVB-24312	384.0	576.0	768.0	960.1	381.8	572.7	763.6	954.5	49736	No	28	112	74	1,745
LAVB-24408	367.6	551.4	735.2	919.0	366.1	549.2	732.2	915.3	49792	Compliant	38	150	74	1,771
LAVB-24410	410.3	615.5	820.7	1025.8	413.6	620.4	827.1	1033.9	48000	Compliant	38	150	74	1,825
LAVB-24412	440.7	661.0	881.4	1101.7	450.1	675.2	900.2	1125.3	46392	No	38	150	74	1,880
LAVB-25308	384.0	575.9	767.9	959.9	374.7	562.1	749.4	936.8	65940	No	36	140	75	1,672
LAVB-25310	437.2	655.8	874.5	1093.1	432.5	648.8	865.0	1081.3	64000	Compliant	36	140	75	1,722
LAVB-25312	480.0	720.0	960.1	1200.1	477.3	715.9	954.5	1193.2	62170	No	36	140	75	1,772
LAVB-25408	459.5	689.2	919.0	1148.7	457.7	686.5	915.3	1144.1	62240	Compliant	46	188	75	1,859
LAVB-25410	512.9	769.4	1025.8	1282.3	517.0	775.4	1033.9	1292.4	60000	Compliant	46	188	75	1,925
LAVB-25412	550.9	826.3	1101.7	1377.1	562.7	844.0	1125.3	1406.6	57990	No	46	188	75	1,991
LAVB-26308	460.7	691.1	921.5	1151.9	449.7	674.5	899.3	1124.2	79128	No	44	170	76	2,035
LAVB-26310	524.7	787.0	1049.4	1311.7	519.0	778.5	1038.0	1297.6	76800	Compliant	44	170	76	2,095
LAVB-26312	576.0	864.1	1152.1	1440.1	572.7	859.1	1145.4	1431.8	74604	No	44	170	76	2,155
LAVB-26408	551.4	827.1	1102.8	1378.5	549.2	823.8	1098.4	1373.0	74688	Compliant	56	226	76	2,145
LAVB-26410	615.5	923.3	1231.0	1538.8	620.4	930.5	1240.7	1550.9	72000	Compliant	56	226	76	2,225
LAVB-26412	661.0	991.5	1322.0	1652.6	675.2	1012.8	1350.4	1688.0	69588	No	56	226	76	2,305
LAVB-27308	537.5	806.3	1075.1	1343.8	524.6	786.9	1049.2	1311.5	92316	Compliant	50	196	77	2,655
LAVB-27310	612.1	918.2	1224.2	1530.3	605.5	908.3	1211.1	1513.8	89600	No	50	196	77	2,725
LAVB-27312	672.0	1008.1	1344.1	1680.1	668.2	1002.2	1336.3	1670.4	87038	No	50	196	77	2,795
LAVB-27408	643.3	964.9	1286.6	1608.2	640.7	961.1	1281.4	1601.8	87136	Compliant	64	262	77	2,835
LAVB-27410	718.1	1077.1	1436.2	1795.2	723.7	1085.6	1447.5	1809.4	84000	Compliant	64	262	77	2,925
LAVB-27412	771.2	1156.8	1542.4	1928.0	787.7	1181.6	1575.4	1969.3	81186	No	64	262	77	3,015

See NOTES on 50 HZ operation and TEMPERATURE DIFFERENCE on page 23. See Correction Factor Table for refrigerant charge on page 22.

CEC TITLE 24 COMPLIANT indicates condenser meets the 65 BTU/H / watt efficiency requirement. To complete the Title 24 compliance, fan speed must vary requiring an additional VFD and controller on fixed speed motors (F, A, C, E, and B).

Krack recommends the K motor option which has variable speed capability and need only a controller to provide the 0-10 V control signal to meet the regulation.

Fluid Cooler Series

Model Key

F A V F 1 2 4 08 M A

UNIT TYPE:

F - Fluid Cooler

TUBE DIAMETER:

A - 3/8"
E - 1/2"

FAN DISCHARGE DIRECTIONS:

H - Horizontal Air Flow
V - Vertical Air Flow
X - Hinged Fan Panel; Vertical Air Flow
E - Hinged Fan Panel; Horizontal Air Flow

FAN / MOTOR COMBINATION:

A - 850 RPM, 1.0 HP, 30"
B - 1140 RPM, 0.5 HP, 24" *
C - 850 RPM, 1.5 HP, 30"
E - 575 RPM, 0.5 HP, 30"
F - 1140 RPM, 1.5 HP, 30"
K - 1140 RPM, 1.5 HP, 30",
BPM Motor with Drive *****

FANS WIDE:

1, 2

FIN MATERIAL:

A - Aluminum Fins
V - Vinyl Coated Fins
C - Copper Fins

VOLTAGE:

A - 230/1/60 *
K - 208/230/3/60 **
L - 380/3/60 ***
M - 460/3/60 **
P - 575/3/60 ****
U - 380/3/50 **

FIN SPACING:

08 - 8 FPI
10 - 10 FPI
12 - 12 FPI

ROWS DEEP:

2, 3, 4

FANS IN LINE:

1, 2, 3, 4, 5, 6, 7

* FAVB only.

** Inverter suitable motor.

*** Contact Application Engineering for quoting.

**** Inverter suitable motor on 'F' and 'A' models.

***** BPM motors are 208-230/3/60 or 460/3/60 only. Gravity dampers should not be used with K motor applications.

Fluid Cooler Series

FEV* / FEH* Data

ONE FAN WIDE										
MODEL	SHIP WEIGHT (LBS)	INTERNAL VOLUME (GAL)	EST SOUND 10' (dBA)				AIR FLOW (CFM)			
			MOTOR A	MOTOR C	MOTOR E	MOTOR F and K	MOTOR A	MOTOR C	MOTOR E	MOTOR F and K
FEV*11208	437	3.7	63	65	52	72	9075	10748	6350	11416
FEV*11210	439	3.7	63	65	52	72	8968	10468	6292	11310
FEV*11212	444	3.7	63	65	52	72	8859	10201	6233	11201
FEV*11308	466	5.3	63	65	52	72	8754	9956	6174	11097
FEV*11310	469	5.3	63	65	52	72	8585	9589	6076	10924
FEV*11312	478	5.3	63	65	52	72	8403	9252	5978	10750
FEV*11408	495	6.9	63	65	52	72	8410	9260	5983	10755
FEV*11410	499	6.9	63	65	52	72	8148	8850	5856	10515
FEV*11412	508	6.9	63	65	52	72	7865	8487	5718	10276
FEV*12208	718	6.6	66	68	55	75	18150	21496	12700	22832
FEV*12210	721	6.6	66	68	55	75	17936	20936	12584	22620
FEV*12212	729	6.6	66	68	55	75	17718	20402	12466	22402
FEV*12308	773	9.7	66	68	55	75	17508	19912	12348	22194
FEV*12310	779	9.7	66	68	55	75	17170	19178	12152	21848
FEV*12312	792	9.7	66	68	55	75	16806	18504	11956	21500
FEV*12408	830	12.8	66	68	55	75	16820	18520	11966	21510
FEV*12410	838	12.8	66	68	55	75	16296	17700	11712	21030
FEV*12412	855	12.8	66	68	55	75	15730	16974	11436	20552
FEV*13210	1,041	9.6	68	70	57	77	26904	31404	18876	33930
FEV*13212	1,060	9.6	68	70	57	77	26577	30603	18699	33603
FEV*13308	1,126	14.1	68	70	57	77	26262	29868	18522	33291
FEV*13310	1,135	14.1	68	70	57	77	25755	28767	18228	32772
FEV*13312	1,153	14.1	68	70	57	77	25209	27756	17934	32250
FEV*13408	1,210	18.7	68	70	57	77	25230	27780	17949	32265
FEV*13410	1,223	18.7	68	70	57	77	24444	26550	17568	31545
FEV*13412	1,247	18.7	68	70	57	77	23595	25461	17154	30828
FEV*14308	1,437	18.6	69	71	58	78	35016	39824	24696	44388
FEV*14310	1,449	18.6	69	71	58	78	34340	38356	24304	43696
FEV*14312	1,474	18.6	69	71	58	78	33612	37008	23912	43000
FEV*14408	1,550	24.6	69	71	58	78	33640	37040	23932	43020
FEV*14410	1,566	24.6	69	71	58	78	32592	35400	23424	42060
FEV*14412	1,599	24.6	69	71	58	78	31460	33948	22872	41104
FEV*15308	2,020	22.9	70	72	59	79	43770	49780	30870	55485
FEV*15310	2,035	22.9	70	72	59	79	42925	47945	30380	54620
FEV*15312	2,066	22.9	70	72	59	79	42015	46260	29890	53750
FEV*15408	2,160	30.5	70	72	59	79	42050	46300	29915	53775
FEV*15410	2,181	30.5	70	72	59	79	40740	44250	29280	52575
FEV*15412	2,222	30.5	70	72	59	79	39325	42435	28590	51380
FEV*16308	2,554	27.4	71	73	60	80	52524	59736	37044	66582
FEV*16310	2,573	27.4	71	73	60	80	51510	57534	36456	65544
FEV*16312	2,610	27.4	71	73	60	80	50418	55512	35868	64500
FEV*16408	2,784	36.4	71	73	60	80	50460	55560	35898	64530
FEV*16410	2,808	36.4	71	73	60	80	48888	53100	35136	63090
FEV*16412	2,858	36.4	71	73	60	80	47190	50922	34308	61656
FEV*17308	3,020	31.9	72	74	61	81	61278	69692	43218	77679
FEV*17310	3,042	31.9	72	74	61	81	60095	67123	42532	76468
FEV*17312	3,088	31.9	72	74	61	81	58821	64764	41846	75250
FEV*17408	3,279	42.3	72	74	61	81	58870	64820	41881	75285
FEV*17410	3,307	42.3	72	74	61	81	57036	61950	40992	73605
FEV*17412	3,366	42.3	72	74	61	81	55055	59409	40026	71932

* See Model Key under Fan / Motor Combination on page 34.

Krack recommends the 'K' motor option which has variable speed capability and only needs a controller to provide 0-10 V control signal to meet Title 24 regulation. The data in the above table also applies for horizontal air flow models and other models. Gravity dampers should not be used with K motor applications.

Fluid Cooler Series

FEV* / FEH* Data

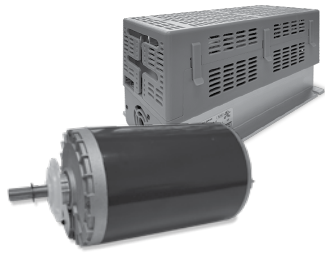
TWO FANS WIDE										
MODEL	SHIP WEIGHT (LBS)	INTERNAL VOLUME (GAL)	EST SOUND 10' (dBA)				AIR FLOW (CFM)			
			MOTOR A	MOTOR C	MOTOR E	MOTOR F and K	MOTOR A	MOTOR C	MOTOR E	MOTOR F and K
FEV*22208	1,311	12.8	69	71	58	78	36300	42992	25400	45664
FEV*22210	1,320	12.8	69	71	58	78	35872	41872	25168	45240
FEV*22212	1,336	12.8	69	71	58	78	35436	40804	24932	44804
FEV*22308	1,425	19.1	69	71	58	78	35016	39824	24696	44388
FEV*22310	1,437	19.1	69	71	58	78	34340	38356	24304	43696
FEV*22312	1,462	19.1	69	71	58	78	33612	37008	23912	43000
FEV*22408	1,539	25.3	69	71	58	78	33640	37040	23932	43020
FEV*22410	1,555	25.3	69	71	58	78	32592	35400	23424	42060
FEV*22412	1,588	25.3	69	71	58	78	31460	33948	22872	41104
FEV*23210	1,875	18.7	71	73	60	80	53808	62808	37752	67860
FEV*23212	1,912	18.7	71	73	60	80	53154	61206	37398	67206
FEV*23308	2,044	27.9	71	73	60	80	52524	59736	37044	66582
FEV*23310	2,063	27.9	71	73	60	80	51510	57534	36456	65544
FEV*23312	2,100	27.9	71	73	60	80	50418	55512	35868	64500
FEV*23408	2,214	37.1	71	73	60	80	50460	55560	35898	64530
FEV*23410	2,238	37.1	71	73	60	80	48888	53100	35136	63090
FEV*23412	2,287	37.1	71	73	60	80	47190	50922	34308	61656
FEV*24308	2,526	36.7	72	74	61	81	70032	79648	49392	88776
FEV*24310	2,651	36.7	72	74	61	81	68680	76712	48608	87392
FEV*24312	2,700	36.7	72	74	61	81	67224	74016	47824	86000
FEV*24408	2,851	48.8	72	74	61	81	67280	74080	47864	86040
FEV*24410	2,884	48.8	72	74	61	81	65184	70800	46848	84120
FEV*24412	2,950	48.8	72	74	61	81	62920	67896	45744	82208
FEV*25308	3,725	45.6	73	75	62	82	87540	99560	61740	110970
FEV*25310	3,755	45.6	73	75	62	82	85850	95890	60760	109240
FEV*25312	3,817	45.6	73	75	62	82	84030	92520	59780	107500
FEV*25408	4,005	60.7	73	75	62	82	84100	92600	59830	107550
FEV*25410	4,046	60.7	73	75	62	82	81480	88500	58560	105150
FEV*25412	4,129	60.7	73	75	62	82	78650	84870	57180	102760
FEV*26308	4,759	54.6	74	76	63	83	105048	119472	74088	133164
FEV*26310	4,796	54.6	74	76	63	83	103020	115068	72912	131088
FEV*26312	4,870	54.6	74	76	63	83	100836	111024	71736	129000
FEV*26408	5,218	72.5	74	76	63	83	100920	111120	71796	129060
FEV*26410	5,268	72.5	74	76	63	83	97776	106200	70272	126180
FEV*26412	5,366	72.5	74	76	63	83	94380	101844	68616	123312
FEV*27308	5,691	63.6	75	77	64	84	122556	139384	86436	155358
FEV*27310	5,734	63.6	75	77	64	84	120190	134246	85064	152936
FEV*27312	5,826	63.6	75	77	64	84	117642	129528	83692	150500
FEV*27408	6,208	84.3	75	77	64	84	117740	129640	83762	150570
FEV*27410	6,266	84.3	75	77	64	84	114072	123900	81984	147210
FEV*27412	6,382	84.3	75	77	64	84	110110	118818	80052	143864

* See Model Key under Fan / Motor Combination on page 34.

Krack recommends the 'K' motor option which has variable speed capability and only needs a controller to provide 0-10 V control signal to meet Title 24 regulation. The data in the above table also applies for horizontal air flow models and other models. Gravity dampers should not be used with K motor applications.

Microchannel Air-Cooled Condenser

Standard Features



Vspeed Variable Speed
Condenser Fan: High Performance
Electronic Drive and Motor

Krack's Microchannel Remote Air-Cooled Condenser incorporates a patented modular assembly.

- Smaller size and less weight reduces cost in the building construction.
- The new coil has less internal volume resulting in a significant reduction in refrigerant charge. Less refrigerant is environmentally friendly.
- Coil slabs are easily replaced from the rear of the unit.

Environmentally Friendly Benefits

- **Reduced Coil Internal Volume** - Resulting in a significant reduction in condenser operating and flooding charge.
- **Quiet Fans** - "Swept-wing" blade design offers lower noise levels at the same speed. Quiet multi-bladed direct driven propeller fans provide uniform air distribution through the coil. Venturi fan orifices optimize efficiency. Lower noise condensers can translate into savings by minimizing the need for costly noise barriers.
- **California Energy Commission** - All Microchannel condensers are compliant with CEC Title 24 condenser efficiency requirements.
- **Vspeed Variable Speed** - Variable speed fan motors are now available as an option.

Model Key

MX **K** **-** **10** **M**

UNIT TYPE:

MX - Microchannel

FAN/MOTOR COMBINATION:

A - 850 RPM, 1.0 HP, 30"
 C - 850 RPM, 1.5 HP, 30"
 E - 575 RPM, 0.5 HP, 30"
 F - 1140 RPM, 1.5 HP, 30"
 K - 1140 RPM, 1.5 HP, 30"*

MOTOR VOLTAGE:

K - 208-230/3/60
 M - 460/3/60
 P - 575/3/60
 U - 380/3/50**

NUMBER OF FANS:

2 10
 4 12
 6 14
 8

* K Vspeed Variable Speed BPM (brushless permanent magnet motors) and panel mounted electronic drive are 208-240/3/60, 380/3/50, 380/3/60, and 460/3/60. Gravity dampers should not be used with K motor applications.

** De-rate capacity data 10% for 50 HZ applications with all motors except K (variable speed BPM motors and panel mounted drive) which have no reduction in capacity for the change in frequency.



Use your QR reader to
reference current document
version on www.krack.com.

Microchannel Air-Cooled Condenser

Benefits and Features

REMOTE AIR-COOLED CONDENSER

Patented Microchannel Condenser Modular Assembly Design (Patent #6988538)

- Arranged for vertical air discharge.
- Multi-fan sections compartmented to allow individual fan cycling while preventing off-fan "windmilling."
- Removable end panel for clean out and service access.

Corrosion Resistant

- All models employ mill galvanized steel fan sections and coil side baffles.
- Legs are heavy mill gauge galvanized steel.
- Corrosion resistance is improved with an all aluminum Microchannel coil, reducing the chance for galvanic corrosion that exists on traditional copper tube and aluminum fin coils. Additionally, the Microchannel tubes are coated with a sacrificial metallic layer that is less noble than the tube, fin, and braze material.

Vspeed Variable Speed Condenser Fan Solutions

- Krack's latest fan motor technology is now offered with a variable speed fan motor solution called Vspeed under the MXK configuration that utilizes a Brushless Permanent Motor (BPM) and panel mounted electronic drive (per motor). The electronic drive will vary the fan speeds (1140 RPM at 0 volts / 0 RPM at 10 volts) to match the loads saving more energy versus single speed fans. Fan blade configurations, mounting, and capacities are equivalent to the standard 1140 RPM motor options

COMPACT DESIGN

- Lighter weight.
 - Up to 35% weight reduction compared to traditional condenser design.
- Modular construction and fewer parts.
 - Available in 2 to 14 fan models.

PROTECTIVE COVER PANELS

Weather Resistant Fan Motors

- Outdoor condenser motors designed with ball bearings inherent overheat protection in each phase; shaft slingers; enclosure, hardware, and lubrication for all weather conditions.
- Each motor lead is wired to terminals in an electrical enclosure.
- Inverter duty suitable fan motors are standard for 230/3 and 460/3.
- Variable speed fan motors available in 230/3 and 460/3.

Versatile Fan Cycling Control Methods

- Electronic relay boards.
- Pressure fan cycling.
- Temperature fan cycling.

Replaceable High Efficiency Coil

- Extruded aluminum Microchannel coil construction increases coil efficiency, while reducing refrigerant operating charge, unit weight and footprint.
- Unit design allows for coil replacement from rear of unit.

OPTIONAL FEATURES

- Electrofin coated coils.
- Mounted receiver.
- Reusable air filter.
- Winter reduction control solenoids.
- Modular isolation ball valves.

Modular Winter Reduction Solenoid

- Maintains condenser pressure by isolating coil sections in conjunction with fan cycling.
- Reduction in coil volume results in reduced refrigerant operating and flooding charge.

Microchannel Air-Cooled Condenser

Applications

- **Locate Condensers** no closer than their width from wall or other condensers. Avoid locations near exhaust fans, plumbing vents, flues or chimneys. Reference the IOM for other considerations for locating condensers.
- **Parallel Condensers** should be the same model resulting in the same refrigerant side pressure drops. Compressor discharge lines should have equal pressure drops to each condenser.
- **Condenser Refrigerant Charge** for Summer conditions are listed on the Performance Data Table. The additional Winter Flooding charge required is difficult to predict with fan cycling and is maximized with holdback; however, the maximum additional refrigerant charge is also listed on the Performance Data Table for Winter conditions at -20° F. The Summer operating and Winter maximum flooding charge is substantially less than that required for traditional tube and fin condensers due to the reduced internal volume of the Microchannel coils. Further reduction in flooding charge can be obtained with the “Modular Winter Reduction” option, by “shutting down” the associated refrigerant circuit in combination with fan cycling.
- **Receiver Capacity** should be sized to store condenser winter charge.
- **Compressor Discharge** lines should be sized to minimize pressure drops and maintain oil return gas velocities. Each connection should be looped to the top of the condenser.
- **Gravity Liquid Drain Lines** should drop from each outlet as low as possible before headering or running horizontally. Pitch downhill to receiver.
- **Off-Line Coil Sections** will have refrigerant pressures corresponding to the ambient. Check valves or isolating valves should be installed in the liquid line drains to prevent refrigerant migration and receiver pressure loss.

Microchannel Air-Cooled Condenser

Performance Data

PERFORMANCE DATA												
	MX MODEL	TOTAL HEAT OF REJECTION (MBH)						AIR FLOW (CFM)	SOUND dBA EST @10 FT	SUMMER CHARGE (LBS R-404A)	WINTER CHARGE (LBS R-404A)	SHIP WEIGHT (LBS)
		R-404A / R-507A			R-407A, R-448A / R-449A							
		TEMP DIFFERENCE			TEMP DIFFERENCE							
		10° F	15° F	20° F	10° F	15° F	20° F					
MXF / MXK 1.5 HP 1140 RPM	MX()-02	180.6	270.9	361.2	177.8	266.6	355.5	25,600	75	4	17	560
	MX()-04	361.2	541.9	722.5	355.5	533.3	711.0	51,200	78	8	34	1,170
	MX()-06	541.9	812.8	1083.7	533.3	799.9	1066.6	76,800	80	11	50	1,705
	MX()-08	722.5	1083.7	1445.0	711.0	1066.6	1422.1	102,400	81	15	67	2,280
	MX()-10	903.1	1354.7	1806.2	888.8	1333.2	1777.6	128,000	82	19	84	2,850
	MX()-12	1083.7	1625.6	2167.4	1066.6	1599.8	2133.1	153,600	83	23	101	3,385
	MX()-14	1264.3	1896.5	2528.7	1244.3	1866.5	2488.6	179,200	84	26	117	3,920
MXC 1.5 HP 850 RPM	MXC-02	168.9	253.3	337.7	164.9	247.4	329.8	22,830	68	4	17	560
	MXC-04	337.7	506.6	675.4	329.8	494.7	659.6	45,660	71	8	34	1,170
	MXC-06	506.6	759.9	1013.1	494.7	742.1	989.3	68,490	73	11	50	1,705
	MXC-08	675.4	1013.1	1350.8	659.6	989.3	1319.1	91,320	74	15	67	2,280
	MXC-10	844.3	1266.4	1688.5	824.5	1236.7	1648.9	114,150	75	19	84	2,850
	MXC-12	1013.1	1519.7	2026.2	989.3	1484.0	1978.7	136,980	76	23	101	3,385
	MXC-14	1182.0	1773.0	2363.9	1154.2	1731.4	2308.5	159,810	77	26	117	3,920
MXA 1.0 HP 850 RPM	MXA-02	160.8	241.2	321.6	155.3	233.0	310.6	20,800	66	4	17	560
	MXA-04	321.6	482.5	643.3	310.6	466.0	621.3	41,600	69	8	34	1,170
	MXA-06	482.5	723.7	964.9	466.0	698.9	931.9	62,400	71	11	50	1,705
	MXA-08	643.3	964.9	1286.6	621.3	931.9	1242.6	83,200	72	15	67	2,280
	MXA-10	804.1	1206.2	1608.2	776.6	1164.9	1553.2	104,000	73	19	84	2,850
	MXA-12	964.9	1447.4	1929.8	931.9	1397.9	1863.8	124,800	74	23	101	3,385
	MXA-14	1125.7	1688.6	2251.5	1087.2	1630.9	2174.5	145,600	75	26	117	3,920
MXE 0.5 HP 575 RPM	MXE-02	115.0	172.5	229.9	112.0	168.0	224.0	12,600	55	4	17	560
	MXE-04	229.9	344.9	459.8	224.0	335.9	447.9	25,200	58	8	34	1,170
	MXE-06	344.9	517.3	689.7	335.9	503.9	671.9	37,800	60	11	50	1,705
	MXE-08	459.8	689.7	919.6	447.9	671.9	895.8	50,400	61	15	67	2,280
	MXE-10	574.8	862.2	1149.5	559.9	839.9	1119.8	63,000	62	19	84	2,850
	MXE-12	689.7	1034.6	1379.4	671.9	1007.8	1343.8	75,600	63	23	101	3,385
	MXE-14	804.7	1207.0	1609.3	783.9	1175.8	1567.7	88,200	64	26	117	3,920

See NOTES on 50 HZ operation and TEMPERATURE DIFFERENCE on page 23.

CEC TITLE 24 COMPLIANT indicates condenser meets the 65 BTU/H / watt efficiency requirement. To complete the Title 24 compliance, fan speed must vary requiring an additional VFD and controller on fixed speed motors (F, A, C, E, and B).

Krack recommends the K motor option which has variable speed capability and need only a controller to provide the 0-10 V control signal to meet the regulation.

CORRECTION FACTOR FOR OTHER REFRIGERANTS			
REFRIGERANT	MULTIPLY R-404A BY CAPACITY FACTOR	CHARGE CORRECTION FACTOR	
		SUMMER	WINTER
R-404A	1.00	1.00	1.00
R-134a	0.97	1.17	1.11
R-410A	1.02	1.02	1.03
R-22	1.02	1.14	1.09
R-407A	See R-407A Chart	1.10	1.08
R-407C	0.98 x R-407A	1.09	1.07
R-448A / R-449A	See R-448A / R-449A Chart	1.06	1.04
R-513A	See R-404A / R-507A Chart	1.10	1.05

For units using 380/3/50, multiply capacity by 0.90.

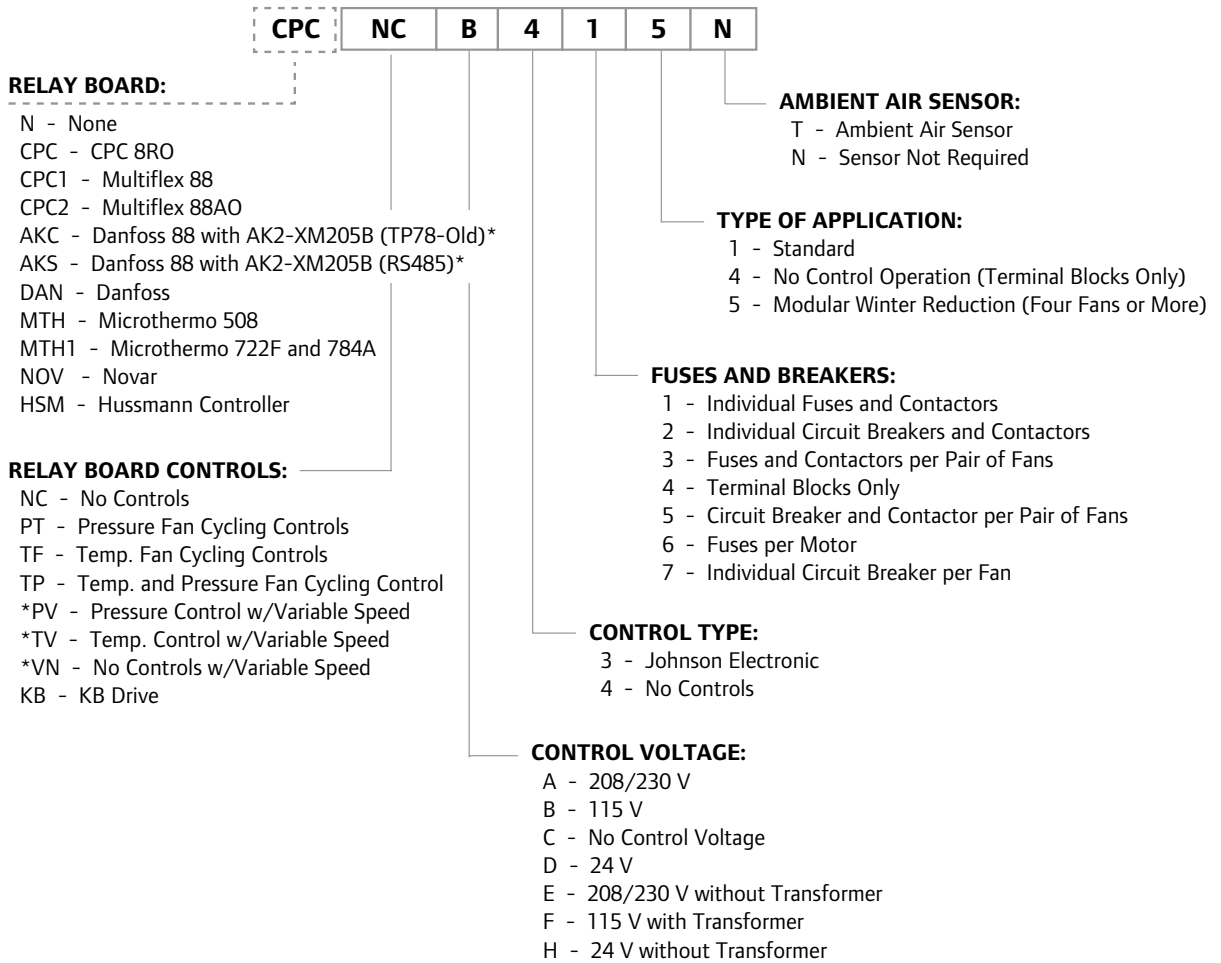
1. Additional winter flooding charge shown is without module isolation/reduction.

2. Ship weight includes "ship loose" leg weights.

3. Sound data is an estimate only. It can be greatly affected by surroundings.

Microchannel Air-Cooled Condensers

Control Panel Nomenclature



* Controller model required to provide correct com module.

Note:
¹ Contact Application Engineering for quoting.

H-Series Legacy Condensing Units

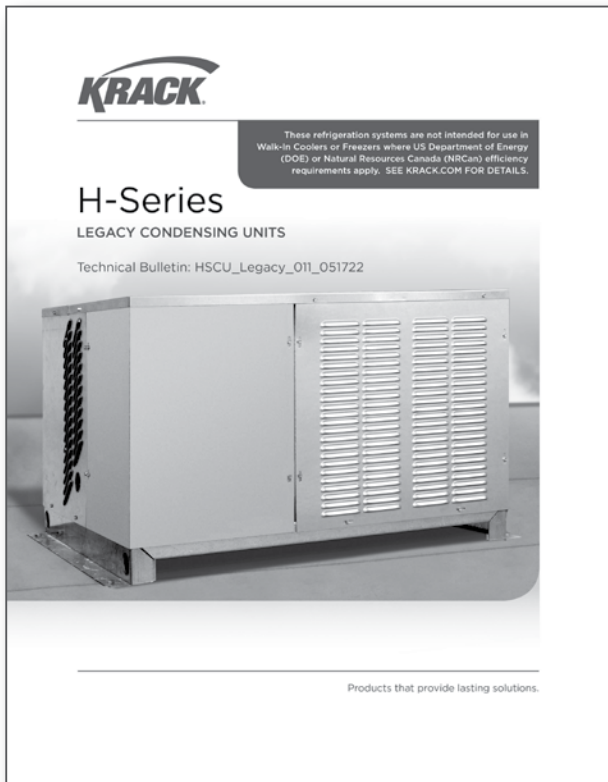
All Model Specifications

These refrigeration systems are not intended for use in Walk-In Coolers or Freezers where US Department of Energy (DOE) or Natural Resources Canada (NRCAN) efficiency requirements apply. SEE KRACK.COM FOR DETAILS.

H-Series Legacy Condensing Units provide a robust design for a long service life with Copeland (Scroll, Discus or Semi-Hermetic) or Bitzer Ecoline compressors with nominal horsepower ranging from ½ to 12 HP for medium temperature and 15 hp low temperature. Outdoor units with typical options can be quoted with typical options using the Technical Bulletin and Price List.

Additional options are available for indoor, stackable, water-cooled, 575/3/60 voltages.

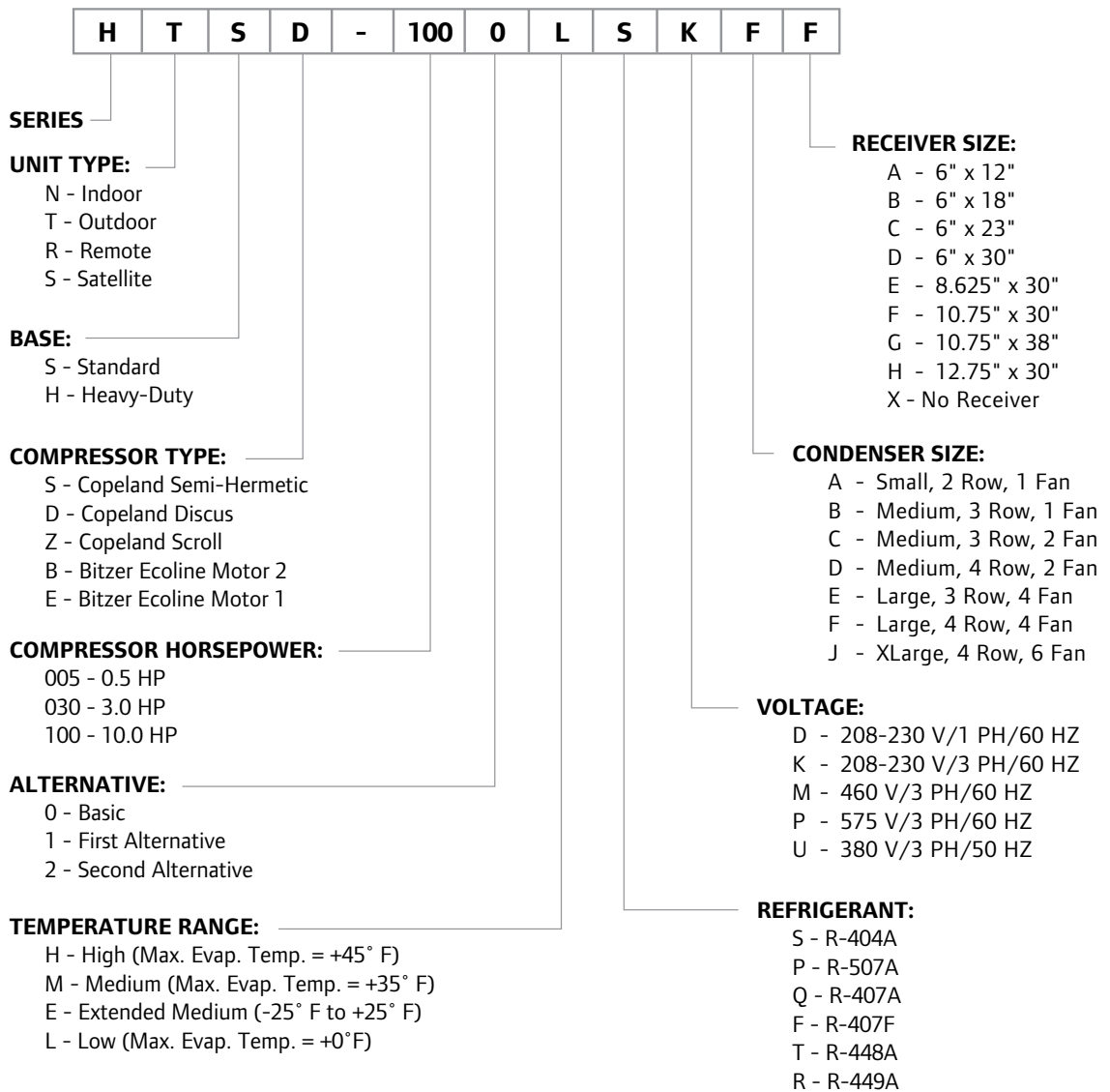
For detailed information on Performance Data and Electrical Specifications, please reference the H-Series Legacy Condensing Units Technical Bulletin found at www.krack.com.



Use your QR reader to reference current document version on www.krack.com.

H-Series Legacy Condensing Units

Model Key



NOTE: Units are ordered refrigerant specific (i.e. "S" for R-404A) but will include other refrigerants that can also be used on the data plate.

These refrigeration systems are not intended for use in Walk-In Coolers or Freezers where US Department of Energy (DOE) or Natural Resources Canada (NRCAN) efficiency requirements apply. SEE KRACK.COM FOR DETAILS.

H-Series Legacy Condensing Units

Standard and Optional Features

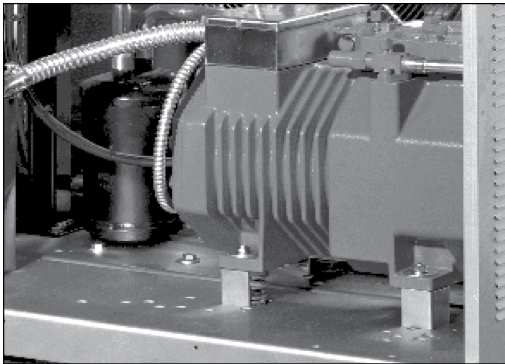
FEATURE	STANDARD	OPTIONAL
Unit Power	208-230/1/60 208-230/3/60 460/3/60	380/3/50 575/3/60
Control Circuit	230/1/60	115/1/60
Main Protection Type	Fused	Circuit Breaker
Main Power Disconnect	None (Power Distribution Block)	Non-Fused (Ship Loose) Fused (Ship Loose)
Condenser Coil	Aluminum Fins on Copper Tubes	Electrofin Coil-Coating
Condenser Fan Motor(s)	PSC (Permanent Split Capacitor Type)	ECM (Under Development)
Condenser Fan Control	Electro-Mechanical Switches (ON/OFF)	Electronic Fan-Cycling (ON/OFF)
Frame/Receiver Type	Standard Base (Vertical Receiver)	Heavy-Duty Base (Horizontal Receiver)
Compressor Mounting	Hard Mounting	Spring Mounts with Vibration Eliminators (Reciprocating Compressors Only)
Receiver	Standard	Larger Sizes Available Heat and Insulation
Pressure Relief	Fusible Plug	Relief Valve
Controls	Electro-Mechanical Pressure Switches	Electronic Controls
Certifications	UL Listed (USA and Canada)	
Shipping	Plastic Shrink Wrap with Skid	Crated
Head Pressure Control	Adjustable (Required for DOE)	
Compressor Oil Control	None	Emerson OMC (Requires Separator) Sporlan Mechanical Float (Requires Separator)
Oil Separator	None	Helical Oil Separator
High Pressure Control	Cartridge Manual Reset	Cartridge Auto Reset Adjustable Manual or Auto Reset
Defrost Method	Time Clock	Electronic Contactors and Fuses for Electric Defrost
Suction Filter	None	Sealed Steel Replaceable Core Brass Replaceable Core
Suction Insulation	None	1/2", 3/4" or 1"
Liquid Drier	Sealed with Sight Glass	Replaceable Core with Sight Glass
Suction Accumulator	None	Accumulator Accumulator with Boil-Out
Hurricane-Rated Kit	No	Yes

Available with either Scroll or Reciprocating compressors. Nominal compressor capacities up to 16 HP.

These refrigeration systems are not intended for use in Walk-In Coolers or Freezers where US Department of Energy (DOE) or Natural Resources Canada (NRCAN) efficiency requirements apply.

High Efficiency (HE) H-Series Condensing Units

All Model Specifications



A wide range of compressors and refrigerants have been tested and include AWEF numbers to allow application on Walk-In Coolers and Freezers that are 3000 square feet or less in area.

High Efficiency H-Series Condensing Units include updates to improve efficiency to meet new Department of Energy requirements for Walk-In Coolers and Freezers 3000 square feet and smaller. Changes to improve efficiency include reduced condenser fan speed, updated cabinet for improved air flow and serviceability with adjustable head pressure control and ambient temperature fan cycling for best efficiency.

AWEF values for units meeting the new DOE regulations are published in the technical bulletin. Some units which do not meet the DOE requirements are available on the High Efficiency platform. These non-DOE units are allowed for application with Display Cases, Process Loads or Walk-In Coolers and Freezers larger than 3000 square feet. Selection of a unit which does meet the DOE requirements is always recommended regardless of application to receive a more efficient unit.

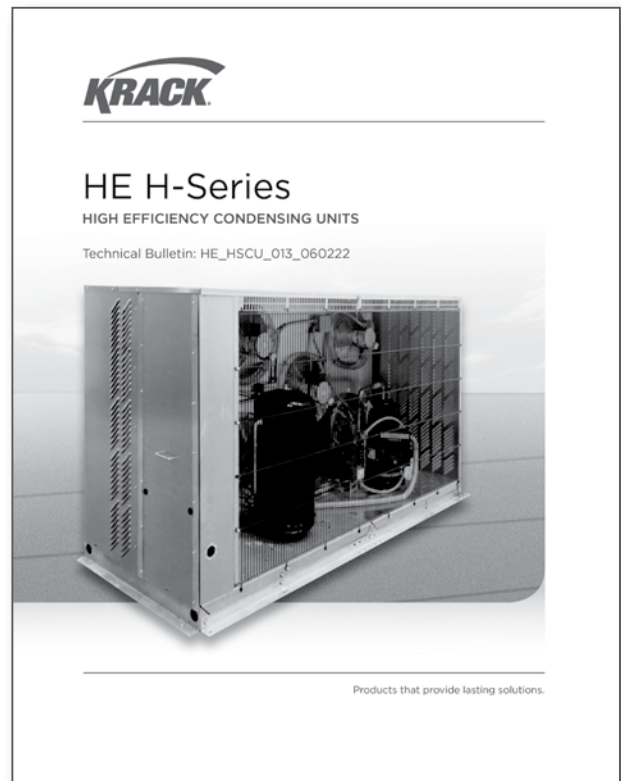
For detailed information on DOE regulations, Performance Data, and Electrical Specifications, please reference the High Efficiency (HE) H-Series Condensing Units Technical Bulletin found at www.krack.com.



Use your QR reader to reference current document version on www.krack.com.



The High Efficiency H-Series condensing units are accredited with UL's Energy Efficiency Certification.



High Efficiency (HE) H-Series Condensing Units

Model Key

H D S D - 100 0 L S K F F - D

SERIES

UNIT TYPE:

- E - Indoor, High Efficiency
- D - Outdoor, High Efficiency

BASE:

- S - Standard
- H - Heavy-Duty

COMPRESSOR TYPE:

- D - Copeland Discus
- Z - Copeland Scroll
- B - Bitzer Ecoline, Motor 2
- E - Bitzer Ecoline, Motor 1
- S - Copeland Semi-Hermetic

COMPRESSOR HORSEPOWER:

- 005 - 0.5 HP
- 030 - 3.0 HP
- 100 - 10.0 HP
- 150 - 15.0 HP

ALTERNATIVE:

- 0 - Basic
- 1 - First Alternative
- 2 - Second Alternative

TEMPERATURE RANGE:

- M - Medium (Max. Evap. Temp. = +35° F)
- L - Low (Max. Evap. Temp. = +0° F)

DOE:

- D - DOE / NRCan
- A - Non-Regulated

RECEIVER SIZE:

- A = 6" x 12"
- B = 6" x 18"
- C = 6" x 23"
- D = 6" x 30"
- E = 8.625" x 30"
- F = 10.75" x 30"
- G = 10.75" x 38"
- H = 12.75" x 30"
- X - No Receiver

CONDENSER SIZE:

- A - Small, 3 Row, 1 Fan
- B - Medium, 3 Row, 1 Fan
- D - Medium, 4 Row, 2 Fan
- F - Large, 4 Row, 4 Fan
- J - XLarge, 4 Row, 6 Fan

VOLTAGE:

- D - 208-230 V/1 PH/60 HZ
- K - 208-230 V/3 PH/60 HZ
- M - 460 V/3 PH/60 HZ
- P - 575 V/3 PH/60 HZ
- U - 380 V/3 PH/50 HZ

REFRIGERANT:

- S - R-404A
- P - R-507A
- Q - R-407A
- F - R-407F
- T - R-448A
- R - R-449A

NOTE: Units are ordered refrigerant specific (i.e. "S" for R-404A) but will include other refrigerants that can also be used on the data plate.

High Efficiency (HE) H-Series Condensing Units

Standard and Optional Features

FEATURE	STANDARD	OPTIONAL
Unit Power	208-230/1/60 208-230/3/60 460/3/60	380/3/50 575/3/60
Control Circuit	230/1/60	115/1/60
Main Protection Type	Fused	Circuit Breaker
Main Power Disconnect	None (Power Distribution Block)	Non-Fused (Ship Loose) Fused (Ship Loose)
Condenser Coil	Aluminum Fins on Copper Tubes	Electrofin Coil-Coating
Condenser Fan Motor(s)	PSC (Permanent Split Capacitor Type)	ECM (Under Development)
Condenser Fan Control	Electro-Mechanical Switches (ON/OFF)	Electronic Fan-Cycling (ON/OFF)
Frame/Receiver Type	Standard Base (Vertical Receiver)	Heavy-Duty Base (Horizontal Receiver)
Compressor Mounting	Hard Mounting	Spring Mounts with Vibration Eliminators (Reciprocating Compressors Only)
Receiver	Standard	Larger Sizes Available Heat and Insulation
Pressure Relief	Fusible Plug	Relief Valve
Controls	Electro-Mechanical Pressure Switches	Electronic Controls
Certifications	UL Listed (USA and Canada)	
Shipping	Plastic Shrink Wrap with Skid	Crated
Head Pressure Control	Adjustable (Required for DOE)	
Compressor Oil Control	None	Emerson OMC (Requires Separator) Sporlan Mechanical Float (Requires Separator)
Oil Separator	None	Helical Oil Separator
High Pressure Control	Cartridge Manual Reset	Cartridge Auto Reset Adjustable Manual or Auto Reset
Defrost Method	Time Clock	Electronic Contactors and Fuses for Electric Defrost
Suction Filter	None	Sealed Steel Replaceable Core Brass Replaceable Core
Suction Insulation	None	1/2", 3/4" or 1"
Liquid Drier	Sealed with Sight Glass	Replaceable Core with Sight Glass
Suction Accumulator	None	Accumulator Accumulator with Boil-Out
Hurricane-Rated Kit	No	Yes

Available with either Scroll or Reciprocating compressors. Nominal compressor capacities up to 16 HP.

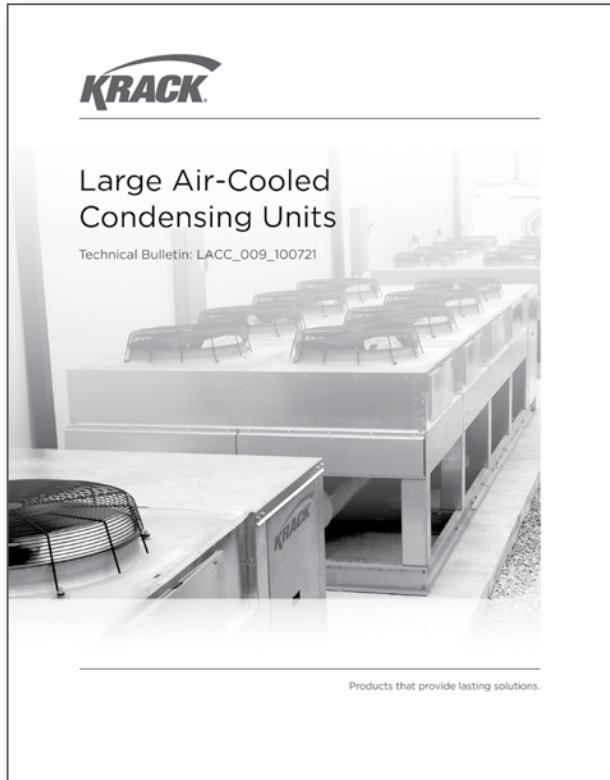
Large Air-Cooled Condensing Units

All Model Specifications

Large Air-Cooled Condensing Units incorporate a Levitor II condenser with one or two compressors for larger refrigeration loads. Compressors are available as either Copeland Discus or Bitzer Ecoline with sizes to a nominal 50 horsepower.

Condensing units with a single refrigeration circuit have AWEF values for application on walk-in coolers and freezers covered by the DOE and NRCAN regulations. Dual refrigeration circuit models are exempt from both regulations. Unit capacity for different refrigerants are shown in the Technical Bulletin and all standard options are selectable in the Price List.

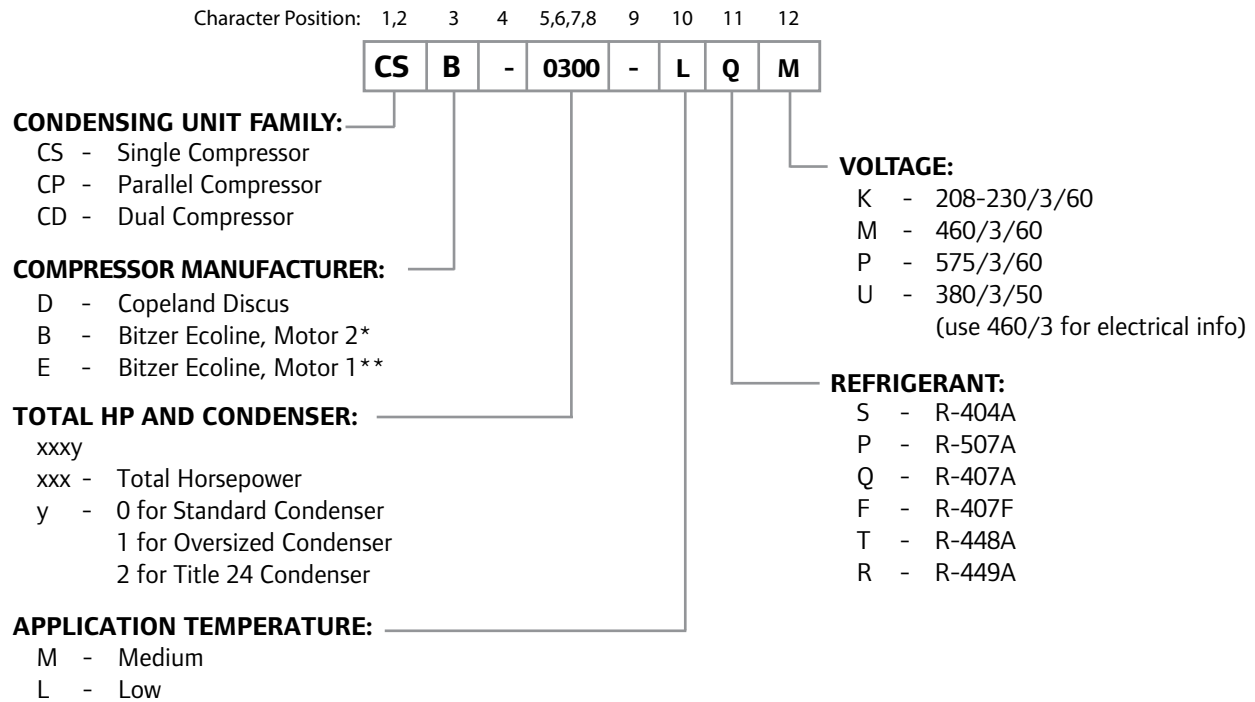
For detailed information on DOE regulations, Performance Data, and Electrical Specifications, please reference the Large Air-Cooled Condensing Units Technical Bulletin found at www.krack.com.



Use your QR reader to
reference current document
version on www.krack.com.

Large Air-Cooled Condensing Units

Control Panel Nomenclature



* Low and medium temperatures
 ** Medium and high temperatures

Standard Features for All Models

Large Air-Cooled Condensing Units Available in Standard, Oversize, and Title 24 Model Configurations

- Medium Temperature R-404A, R-407A, and R-448A
- Low Temperature R-404A, R-407A, and R-448A

Models

- CS Series Units are new, more efficiently sized units that have a reduced footprint, more standard features and provide increased options for sizing large jobs.
- CP Series Parallel Units are two compressors piped together to provide one refrigeration circuit.
- CD Series Dual Units are two compressors piped independently for a separate circuit operation.

Large Air-Cooled Condensing Units

Features for All Models

Compressor

- Bitzer Ecoline Compressors or Copeland Discus Compressors (CS, CP, and CD models).
- Factory balanced and rigid mounted to reduce risk of line fatigue failure and vibration eliminator leaks.
- Internal motor overheat protection.
- Crankcase heater is de-energized during compressor operation for energy savings.
- Oil level sight glass.
- CS, CP, and CD models use an internal driven shaft oil pump with manual reset oil safety control.
- Back-seating suction and discharge valves.
- Safety controls are factory installed using armored capillary tubes to prevent leaks with automatic reset low pressure and manual reset high pressure controls standard.

Receiver

- Amply sized receivers are sized to hold condenser flooding charge, evaporator charge and 100' of liquid line.
- Pressure relief valve and charging valve are standard.

Condenser

- Constructed with 3/8" grooved tubing for maximum efficiency.
- Sub-cooling circuit cools liquid leaving the receiver to ensure a solid column of liquid at the expansion valve.
- Adjustable head pressure system (flooding) for low ambient operation.
- Mechanically bonded, die formed, aluminum fin stock with full self-spacing collars.
- Maximum 10 FPI for efficiency and ease of maintenance.
- Generous sizing allows low head pressure operation.
- Oversized condenser provides an option for lower temperature difference for high ambient applications.
- Suspended coil design eliminates tube sheet leaks.
- Title 24 condenser option exceeds minimum efficiency required for California and requires the addition of a Variable Speed fans (K motors) or ship loose VFD with 3 phase motors, and controller capable of floating head pressure.

Condenser Fans

- 30" statically and dynamically balanced direct drive fans with a separate motor for each fan.
- Fan sections are divided by full width baffles to prevent air by-pass.
- Three phase 1.5 HP motors operate fans at 1140 RPM.
- Each fan is protected by a heavy gauge, corrosion resistant fan guard.
- Inverter Duty Suitable motor (230/3 and 460/3 only).
- The "swept-wing" blade design for lower noise levels.

Control Panel

- Fully enclosed and weather proofed.
- Single point connections provide reliable distribution to panel components.
- Dual compartments, separate line voltage and controls for safety during service.
- Lockable with field supplied padlock.
- Manual pump down switch for ease of service.
- 230 V; single phase control voltage is standard.
 - A transformer is included where necessary.
- Power and control circuit terminal strip.

Refrigerant Circuit

- Replaceable core liquid line filter drier.
- Sight glass at receiver outlet for charging.
- Suction accumulator is included on low temperature units.

Construction Features

- Galvanized cabinet.

Note

- Additional information will be given per model on their respective pages.

Large Air-Cooled Condensing Units

Optional Features for All Models

Optional Features

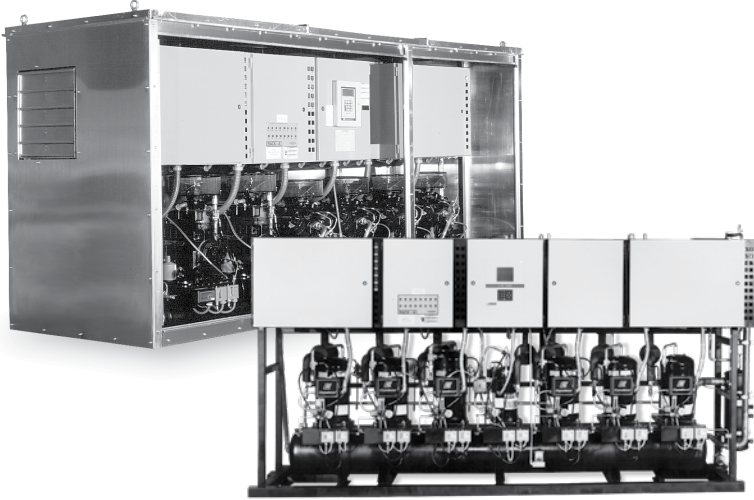
- 115 control voltage with transformer.
- Oil separator system to activate flow of oil.
(Recommended for room temperatures of -10° F and below.)
- Suction accumulator on medium temperature.
- Sealed or replaceable core suction filter.
- Heated and insulated receiver.
- Electrical control panel with all necessary controls to run electric defrost evaporators (includes timer, contactors).
- Air defrost timer.
- Fused disconnect shipped loose.
- Mounted non-fused disconnect with interlock.
- Cylinder unloaders for compressors.
- Alternate fin materials, such as vinyl and copper, can be specified for adverse environmental conditions.
- Condenser access/clean out doors.
- Electrofin condenser coating.
- Hurricane-rated kits available.

Note

- Additional information will be given per model on their respective pages.

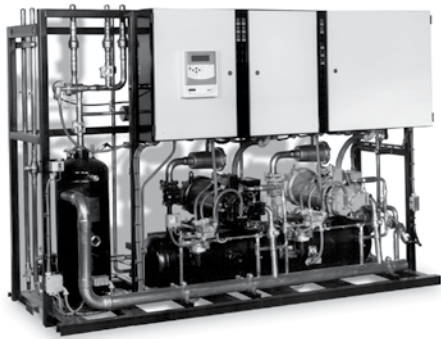
Parallel Rack Compressor Systems

Model Features



Hussmann pioneered the development of integrated refrigeration systems and now offers a complete selection of advanced parallel racks which are available under the Krack brand.

- **Flexible:** Custom designed, engineered, and manufactured under the supervision of the experienced applications and design engineers in the Non Traditional Request (NTR) group for each application and to meet specific customer requirement.
- **Reliable Performance:** High-quality components, advanced manufacturing techniques, and extensive quality testing ensures reliable performance and the lowest warranty cost in the industry.
- **Energy Efficiency and Reliability:** Multiple compressor options, sub-cooling techniques, and proprietary technologies are used to maximize efficiency and provide long service life.



Use your QR reader to
reference current document
version on www.krack.com.

Protocol Refrigeration Systems

Model Features

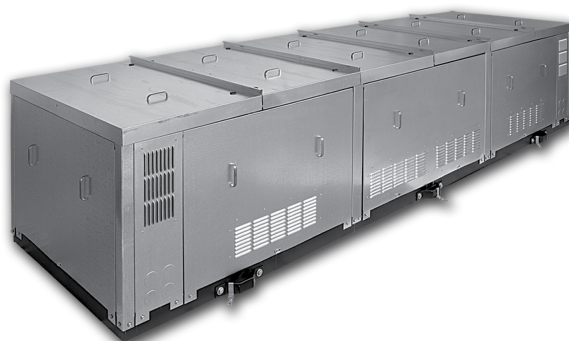


Hussmann's proprietary Protocol and Proto-Aire units are also available. These smaller "distributed" parallel compressor systems provide options to locate systems closer to the refrigeration loads for cost and refrigerant savings over a more traditional centralized refrigeration system.

Indoor Protocols: Available in vertical and horizontal configurations with 2 to 8 Scroll compressors.

Outdoor Proto-Aire and OLP (Outdoor Low Profile): Available with up to 6 Scroll compressors.

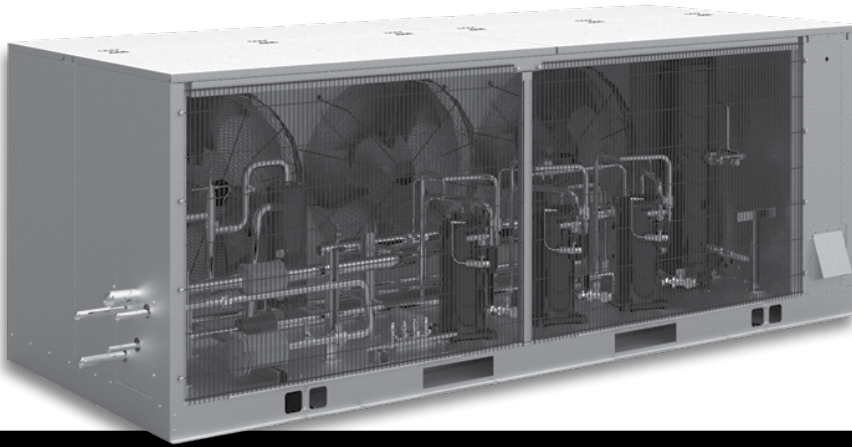
- Refrigeration systems close to the refrigeration loads with loop piping significantly reduce refrigerants charge of HFC/HFO in the system.
 - Pre-bent tubing on the Protocol and loop piping also have significantly lower refrigerant leak rates.
- Applications of the variety of systems options is available through the experienced engineers in the NTR group.



Use your QR reader to reference current document version on www.krack.com.

Proto-Aire EZ Refrigeration System

Model Features



SMALL PLATFORM: UP TO 97 MBH - LARGE PLATFORM: UP TO 177 MBH

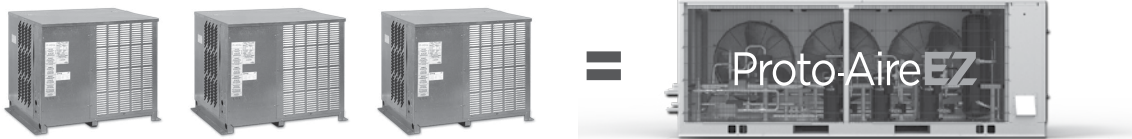
Leading Edge, Versatile Refrigeration System

Engineered for Performance. Designed for Easy Installation, Serviceability, and Maintenance. Optimized to Reduce Total Cost of Ownership.

Proto-Aire EZ is the next generation multi-compressor distributed system for customers looking to reduce installation, operating, and maintenance costs.

- Eliminate need for multiple single condensing units.
- Multi-configurable four-compressor, three-fan configurations provide better load matching with redundant low-temp compressor capacity when a split temperature arrangement is needed.
- Reduced installation costs through single-point power termination, piping, roof load, and crane lifts required.
- Reduced operating costs through increased efficiency and flexibility.
- Easy-to-service reduces maintenance costs and time.
- Hurricane-rated kits available.

**Proto-Aire EZ is the alternative to multiple condensing units.
No need for multiple single condensing units!**



Use your QR reader to
reference current document
version on www.krack.com.



Use your QR reader to reference
current document version on
www.krack.com.



Krack, a Hussmann Corporation brand

For all customers inquiries,
visit www.krack.com or call 800.922.1919.

www.krack.com
www.hussmann.com