

MX
Common Replacement Part List



Item	Description	Part Number
1	Motor Options	
	0.5 HP 208-230/460/60/3 575 RPM	E206880
	0.5 HP 575/60/3 575 RPM	E318680
	1 HP 208-230/460/60/3 INV READY 850 RPM	11503I
	1 HP 575/60/3 850 RPM	E205307BLF
	1.5 HP 230/460/3/600 INV READY 850 RPM	E151976IF
	1.5 HP 575/60/3 850 RPM	E151976A
	1.5 HP 230/460/60/3 INV READY 1140 RPM	E205492IF
	1.5 HP 575/60/3 1140 RPM	E206689
	1.75 HP 208-230/60/3 1050RPM EC	E410115001
	1.75 HP 460/60/3 1050 RPM EC	E410116001
	0.75 HP 208-230/460/1/60 FOR VARIABLE SPEED	E208162
2	Fan Options	
	FAN 30" DIA FOR E206880, E318680	E208056
	FAN 30" DIA FOR 11503I, E205307BLF	E208057
	FAN 30" DIA FOR E151976I, E151976A	E208058
	FAN 30" DIA FOR E205492IF, E206689	E208056
	FAN 30" DIA FOR E208162	11272
3	Fan Guard Options	
	FAN GUARD 30"	E280792
4	Motor Contactor	
	24V	E205170
	110V	10748
	230V	E150076

Item	Description	Part Number
5	Motor Mtg Bracket Fan Unit	
	MOTOR MTG BRACK FAN UNIT (2/MOTOR)	E208055
6	Motor Mtg Ring Fan Unit	
	MOTOR MTG RING FAN UNIT (1/MOTOR)	80034
7	Support Leg	
	STD 22" RT SUPPORT LEG	E660033
	STD 22" LT SUPPORT LEG	E660034
	STD 30" RT LEG MOUNTED RECEIVER	E660150
	STD 30" LT MOUNTED RECEIVER	E660151
8	Controls	
	P352AB-3C PRESSURE CONTROLLER	E207051
	S352AA-2C ADDER MODULE (PRESSURE)	E207052
	P399BAC-1C PRESSURE TRANSDUCER	E207053
	P352PN-3C PRESS CONTROL MODULE	E208200001
	P499RCP-105K PRES TRANSDUCER	E208201001
	A350AB-1 TEMPERATURE CONTROLLER	E205533
	Y350 R-1 POWER MODULE	E205534
	A99BC-300 TEMP SENSOR (9.75 FT)	E205564
9	Coil	
	COIL MX MICROCHANNEL	E209106001
	COIL MX MICROCHANNEL ELECTROFIN	E209107001

8

7

6

5

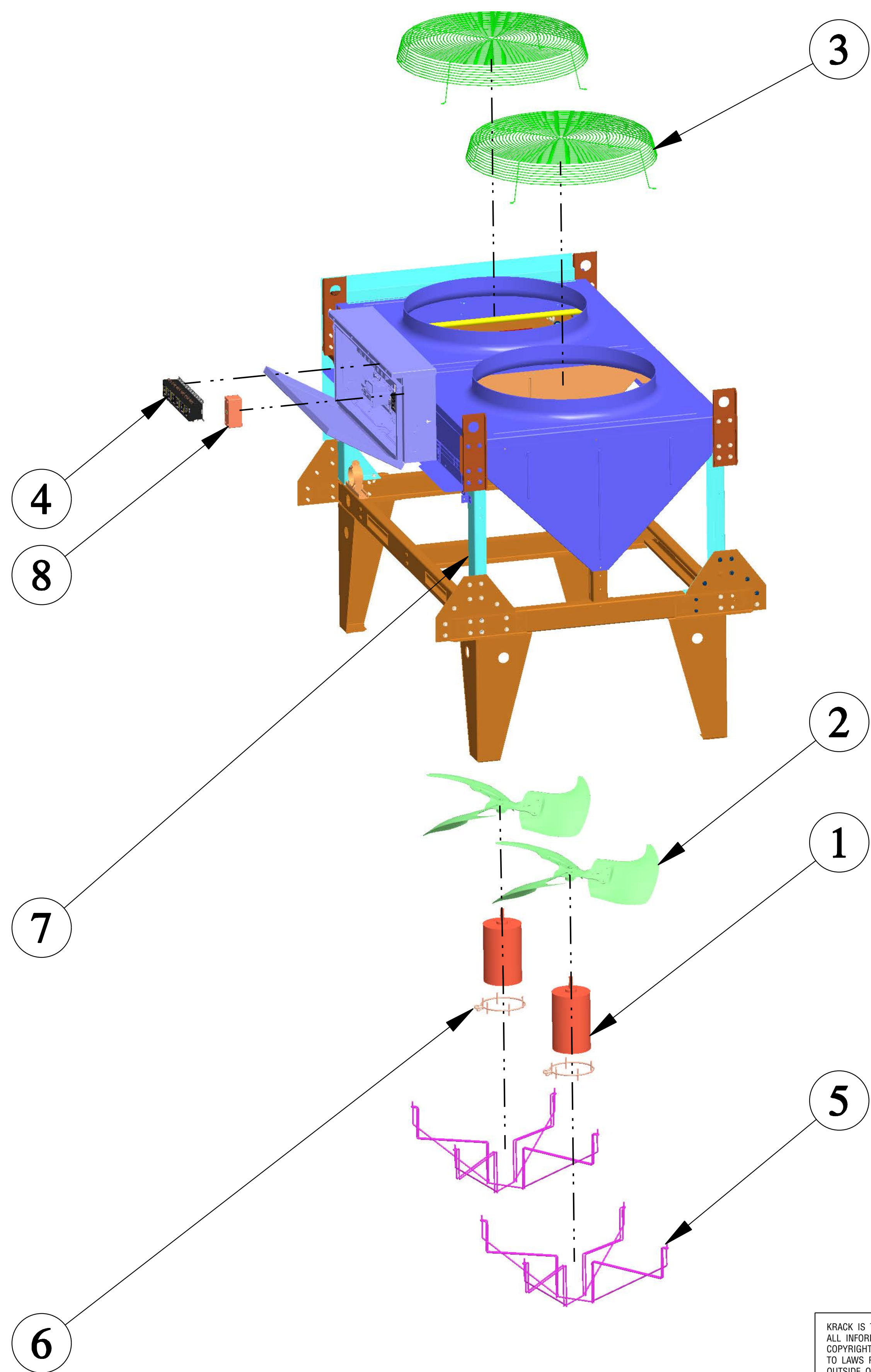
4

3

2

1

REVISIONS				
CHANGE ORDER	REV	DESCRIPTION	DATE	APPROVED



ITEM NO	DESCRIPTION
8	CONTROLS
7	STD 22" RT SUPPORT LEG
6	MOTOR MTG RING FAN UNIT (1 PER MOTOR)
5	MOTOR MTG BRACKET FAN UNIT (2 PER MOTOR)
4	MOTOR CONTACTOR
3	FAN GUARD 30"
2	FAN
1	MOTOR



KRACK IS THE SOLE OWNER OF THIS DRAWING AND ALL INFORMATION IN IT, WHICH ARE PROTECTED BY COPYRIGHT AND OTHER LAWS AND MAY BE SUBJECT TO LAWS REGARDING EXPORTING INFORMATION OUTSIDE OF THE U.S. THIS DRAWING MAY BE USED ONLY BY ITS RECIPIENTS FOR THE PURPOSE FOR WHICH IT IS PROVIDED AND ONLY BY THE RECIPIENT, WHO AGREES THAT IT WILL NOT, WITHOUT KRACK'S PRIOR WRITTEN PERMISSION: 1) DISCLOSE NOR USE THIS DRAWING OR THE INFORMATION IN IT EXCEPT AS SPECIFIED ABOVE; OR 2) MAKE ANY COPIES OF OR EXTRACTS, REVISIONS, OR UPDATES FROM THE DRAWING. ALL COPIES MUST BE RETURNED TO KRACK UPON COMPLETION OF THE WORK FOR WHICH THEY HAVE BEEN PROVIDED OR UPON ANY EARLIER REQUEST.

THIRD ANGLE PROJECTION	CHECKED	DATE
	-	-
FINISH	APPROVED	DATE
-	-	-

UNLESS OTHERWISE SPECIFIED DIMENSIONS ARE IN INCHES. INTERPRET DIM AND TOL PER ASME Y14.5M - 1994	CAD GENERATED DRAWING. DO NOT MANUALLY UPDATE
DRAWN RKS	DATE 20-Aug-09
ENG APPVL	-

TITLE		MICRO CHANNEL (MX) COOLER UNIT	
SIZE D	DWG NO E208926	REV	-
SCALE 0.029	SHEET 1 OF 1		-

8

7

6

5

4

3

2

1