



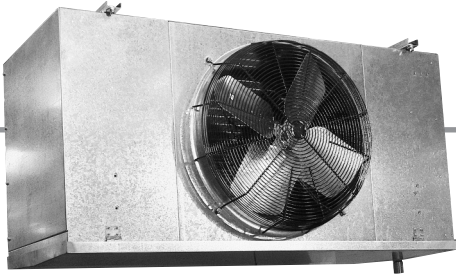
SM/SV Series

PRODUCT COOLERS

Technical Bulletin



Products that provide lasting solutions.



SM/SV Series Product Coolers

Photo on front cover shown
with optional Long Throw
Air Boosters

Standard Features

SM SERIES –

Ideal for Warehouse Coolers or Freezers to Fit a Wide Range of Capacities

- Ruggedly constructed fan cabinet hung by hanger rods from the ceiling.
- Efficient air draw-thru design with 30" diameter aluminum fans for uniform air distribution; air throw is approximately 50 to 60 feet.
- High efficiency three phase, 850 RPM fan motors are permanently lubricated.
- Air defrost for medium temperature rooms.
- Electric or hot gas defrost for medium and low temperature rooms.
- Adjustable defrost termination and fan delay thermostat installed with electric defrost.
- By-pass tee installed with hot gas defrost. Check valve provided shipped loose.
- Mill galvanized drain pan and fan cabinet.
- Drain pan is insulated for electric or hot gas defrost applications.
- Drain pan and fan cabinet end panels are hinged for easy access and cleaning.
- 4, 5, 6, and 7 fins per inch spacing.
- Coated, corrosion-resistant wire fan guards.
- Compartmental fan sections.
- 3-phase, ball bearing motors 230/460V or 575V.
- Suction Schrader valve for easy suction pressure/temperature measurement.

Optional Features

- Stainless steel housing and drain pan.
- Brine and heat reclaim circuiting.
- Insulated drain pan cover for air defrost models.
- Electro-Fin/Heresite coated coil for air defrost models.
- Painted housing.

Optional Accessories

- Long throw air boosters (air throw approx. 100 feet).
- Room thermostat.
- Thermostatic expansion valve.
- Defrost time clock.
- Liquid line solenoid valve.
- Suction liquid heat exchanger.
- Remote located electrical control panel.

SV SERIES –

Designed to Deliver Low Temperature Air at Extra-High Velocity in Freezers

- Ruggedly constructed fan cabinet hung by hanger rods from the ceiling.
- Wide capacity range.
- Efficient air draw-thru design with 30" diameter aluminum fans for uniform air distribution; air throw is approximately 60 to 80 feet.
- High efficiency three phase, 1140 RPM fan motors are permanently lubricated.
- Electric or hot gas defrost for low temperature rooms.
- Adjustable defrost termination and fan delay thermostat installed.
- Mill galvanized drain pan and fan cabinet.
- Insulated drain pan.
- Drain pan and fan cabinet end panels are hinged for easy access and cleaning.
- 4, 5, and 6 fins per inch spacing.
- Coated, corrosion-resistant wire fan guards.
- Compartmental fan sections.
- 3-phase, ball bearing motors 230/460V or 575V.
- Suction Schrader valve for easy suction pressure/temperature measurement.

Optional Features

- Stainless steel housing and drain pan.
- Electro-Fin/Heresite coated coil for hot gas defrost models.
- Painted housing.

Optional Accessories

- Long throw air boosters (air throw approx. 120 feet).
- Room thermostat.
- Thermostatic expansion valve.
- Defrost time clock.
- Liquid line solenoid valve.
- Suction liquid heat exchanger.
- Remote located electrical control panel.
- Copper tins.

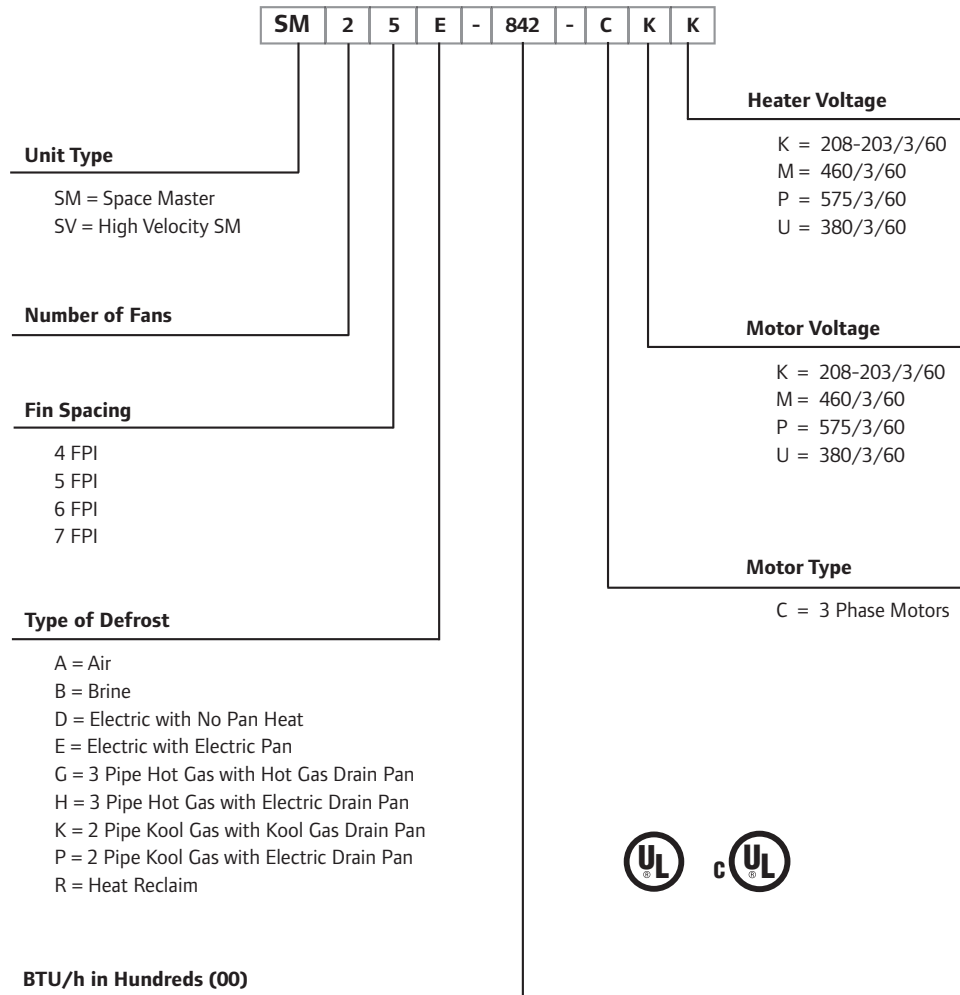
SM/SV Series Product Coolers

Ordering Information

Specify When Ordering All Models

- Complete model number.
- Refrigerant R22, R404A, or R507.
- Room temperature.
- Saturated suction temperature.
- Liquid refrigerant temperature.
- 230/3, 460/3 or 575/3 motor and heater voltage.
- Optional features.
- Optional accessories.

Model Key



SM/SV Series Product Coolers

Air Defrost High Profile

MEDIUM TEMPERATURE										
MODEL	CAPACITY (BTUH)		AIR FLOW (CFM)	FAN MOTOR AMPS			DIMENSIONS (IN)			SHIPPING WGT. (LBS)
	@ 10°TD	@ 15°TD		208-230/3	460/3	575/3	L	W	H	
SM14A-314	31,400	47,100	9,860	4.0	2.0	1.5	77.00	38.50	40.50	410
SM16A-378	37,800	56,700	8,980	4.0	2.0	1.5	77.00	38.50	40.50	445
SM17A-410	41,000	61,500	8,550	4.0	2.0	1.5	77.00	38.50	40.50	465
SM14A-403	40,300	60,450	9,690	4.0	2.0	1.5	77.00	38.50	40.50	430
SM16A-463	46,300	69,450	8,810	4.0	2.0	1.5	77.00	38.50	40.50	470
SM17A-503	50,300	75,450	8,390	4.0	2.0	1.5	77.00	38.50	40.50	490
SM14A-469	46,900	70,350	9,510	4.0	2.0	1.5	77.00	38.50	40.50	450
SM16A-538	53,800	80,700	8,480	4.0	2.0	1.5	77.00	38.50	40.50	495
SM17A-585	58,500	87,750	8,100	4.0	2.0	1.5	77.00	38.50	40.50	515
SM14A-526	52,600	78,900	9,330	4.0	2.0	1.5	77.00	38.50	40.50	484
SM16A-604	60,400	90,600	8,400	4.0	2.0	1.5	77.00	38.50	40.50	530
SM17A-657	65,700	98,550	8,000	4.0	2.0	1.5	77.00	38.50	40.50	550
SM24A-619	61,900	92,850	19,700	8.0	4.0	2.9	134.25	38.50	40.50	830
SM26A-746	74,600	111,900	17,900	8.0	4.0	2.9	134.25	38.50	40.50	885
SM27A-811	81,100	121,650	17,100	8.0	4.0	2.9	134.25	38.50	40.50	940
SM24A-797	79,700	119,550	19,380	8.0	4.0	2.9	134.25	38.50	40.50	836
SM26A-915	91,500	137,250	17,600	8.0	4.0	2.9	134.25	38.50	40.50	895
SM27A-995	99,500	149,250	16,800	8.0	4.0	2.9	134.25	38.50	40.50	950
SM24A-882	88,200	132,300	18,890	8.0	4.0	2.9	134.25	38.50	40.50	845
SM26A-1063	106,300	159,450	16,900	8.0	4.0	2.9	134.25	38.50	40.50	905
SM27A-1155	115,500	173,250	16,100	8.0	4.0	2.9	134.25	38.50	40.50	960
SM24A-1038	103,800	155,700	18,400	8.0	4.0	2.9	134.25	38.50	40.50	858
SM26A-1192	119,200	178,800	16,800	8.0	4.0	2.9	134.25	38.50	40.50	915
SM27A-1296	129,600	194,400	15,900	8.0	4.0	2.9	134.25	38.50	40.50	975
SM34A-1123	112,300	168,450	28,600	12.0	6.0	4.4	134.25	38.50	51.00	960
SM36A-1289	128,900	193,350	24,900	12.0	6.0	4.4	134.25	38.50	51.00	1,070
SM37A-1402	140,200	210,300	24,700	12.0	6.0	4.4	134.25	38.50	51.00	1,090
SM34A-1243	124,300	186,450	28,000	12.0	6.0	4.4	134.25	38.50	51.00	1,034
SM36A-1498	149,800	224,700	24,600	12.0	6.0	4.4	134.25	38.50	51.00	1,156
SM37A-1628	162,800	244,200	23,700	12.0	6.0	4.4	134.25	38.50	51.00	1,175
SM34A-1463	146,300	219,450	27,400	12.0	6.0	4.4	134.25	38.50	51.00	1,100
SM36A-1678	167,800	251,700	24,400	12.0	6.0	4.4	134.25	38.50	51.00	1,235
SM37A-1824	182,400	273,600	23,500	12.0	6.0	4.4	134.25	38.50	51.00	1,255
SM44A-1532	153,200	229,800	33,900	16.0	8.0	5.8	173.00	38.50	52.50	1,280
SM46A-1846	184,600	276,900	33,200	16.0	8.0	5.8	173.00	38.50	52.50	1,430
SM47A-1920	192,000	288,000	32,930	16.0	8.0	5.8	173.00	38.50	52.50	1,455
SM44A-1829	182,900	274,350	33,400	16.0	8.0	5.8	173.00	38.50	52.50	1,380
SM46A-2204	220,400	330,600	32,800	16.0	8.0	5.8	173.00	38.50	52.50	1,540
SM47A-2281	228,100	342,150	31,600	16.0	8.0	5.8	173.00	38.50	52.50	1,565
SM44A-2015	201,500	302,250	33,000	16.0	8.0	5.8	173.00	38.50	52.50	1,470
SM46A-2428	242,800	364,200	32,530	16.0	8.0	5.8	173.00	38.50	52.50	1,645
SM47A-2581	258,100	387,150	31,330	16.0	8.0	5.8	173.00	38.50	52.50	1,670

Capacity Ratings are based on sensible heat removal with a TEV fed, medium frosted coil when:

- Fan motor heat is not included in ratings – add 4000 BTUH per fan to room load for SM units, or 6600 BTUH per fan to room load for SV units.

- Derate 12% for 50 Hertz (0.88 multiplier) or increase TD to compensate for lower fan RPM.

SM/SV Series Product Coolers

Electric Defrost High Profile

MEDIUM TEMPERATURE										
SM MODEL	CAPACITY (BTUH) @ 10° TD		AIR FLOW (CFM)	FAN MOTOR AMPS			DIMENSIONS (IN)			SHIPPING WGT. (LBS)
	@ -20° SST	@ +20° SST		208-230/3	460/3	575/3	L	W	H	
SM14E-384	38,400	40,300	9,690	4.0	2.0	1.5	77.00	38.50	40.50	440
SM15E-426	42,600	44,700	9,250	4.0	2.0	1.5	77.00	38.50	40.50	450
SM16E-440	44,000	46,300	8,810	4.0	2.0	1.5	77.00	38.50	40.50	470
SM14E-501	50,100	52,600	9,330	4.0	2.0	1.5	77.00	38.50	40.50	495
SM15E-556	55,600	58,400	8,900	4.0	2.0	1.5	77.00	38.50	40.50	505
SM16E-574	57,400	60,400	8,400	4.0	2.0	1.5	77.00	38.50	40.50	530
SM24E-759	75,900	79,700	19,380	8.0	4.0	2.9	134.25	38.50	40.50	836
SM25E-842	84,200	88,400	18,500	8.0	4.0	2.9	134.25	38.50	40.50	874
SM26E-869	86,900	91,500	17,600	8.0	4.0	2.9	134.25	38.50	40.50	912
SM24E-989	98,900	103,800	18,400	8.0	4.0	2.9	134.25	38.50	40.50	860
SM25E-1097	109,700	115,200	17,600	8.0	4.0	2.9	134.25	38.50	40.50	900
SM26E-1132	113,200	119,200	16,800	8.0	4.0	2.9	134.25	38.50	40.50	920
SM34E-1070	107,000	112,300	28,600	12.0	6.0	4.4	134.25	38.50	51.00	1,030
SM35E-1186	118,600	124,500	27,300	12.0	6.0	4.4	134.25	38.50	51.00	1,050
SM36E-1225	122,500	128,900	24,900	12.0	6.0	4.4	134.25	38.50	51.00	1,060
SM34E-1393	139,300	146,300	27,400	12.0	6.0	4.4	134.25	38.50	51.00	1,195
SM35E-1544	154,400	162,100	26,100	12.0	6.0	4.4	134.25	38.50	51.00	1,215
SM36E-1594	159,400	167,800	25,800	12.0	6.0	4.4	134.25	38.50	51.00	1,240
SM44E-1465	146,500	167,000	38,130	16.0	8.0	5.8	173.00	38.50	52.50	1,370
SM45E-1523	152,300	173,600	36,400	16.0	8.0	5.8	173.00	38.50	52.50	1,340
SM46E-1754	175,400	184,600	33,200	16.0	8.0	5.8	173.00	38.50	52.50	1,400
SM44E-1769	176,900	201,800	36,530	16.0	8.0	5.8	173.00	38.50	52.50	1,469
SM45E-1985	198,500	226,300	34,800	16.0	8.0	5.8	173.00	38.50	52.50	1,540
SM46E-2307	230,700	242,800	32,530	16.0	8.0	5.8	173.00	38.50	52.50	1,600

SV MODEL - Low Temperature Only - Below +30°F

SV14E-422	42,200	-	11,250	7.0	3.5	2.6	77.00	38.50	40.50	440
SV15E-468	46,800	-	11,125	7.0	3.5	2.6	77.00	38.50	40.50	450
SV16E-664	66,400	-	11,000	7.0	3.5	2.6	77.00	38.50	40.50	470
SV14E-550	55,000	-	11,250	7.0	3.5	2.6	77.00	38.50	40.50	495
SV15E-611	61,100	-	11,125	7.0	3.5	2.6	77.00	38.50	40.50	505
SV24E-834	83,400	-	24,225	14.0	7.0	5.2	134.25	38.50	40.50	836
SV25E-926	92,600	-	23,125	14.0	7.0	5.2	134.25	38.50	40.50	874
SV26E-1005	100,500	-	22,800	14.0	7.0	5.2	134.25	38.50	40.50	912
SV24E-1088	108,800	-	23,000	14.0	7.0	5.2	134.25	38.50	40.50	860
SV25E-1206	120,600	-	22,000	14.0	7.0	5.2	134.25	38.50	40.50	900
SV26E-1311	131,100	-	21,550	14.0	7.0	5.2	134.25	38.50	40.50	920
SV34E-1177	117,700	-	35,750	21.0	10.5	7.8	134.25	38.50	51.00	1,030
SV35E-1304	130,400	-	34,125	21.0	10.5	7.8	134.25	38.50	51.00	1,050
SV36E-1418	141,800	-	33,400	21.0	10.5	7.8	134.25	38.50	51.00	1,060
SV34E-1530	153,000	-	34,250	21.0	10.5	7.8	134.25	38.50	51.00	1,195
SV35E-1698	169,800	-	32,625	21.0	10.5	7.8	134.25	38.50	51.00	1,215
SV36E-1843	184,300	-	32,000	21.0	10.5	7.8	134.25	38.50	51.00	1,240
SV44E-1699	169,900	-	47,650	28.0	14.0	10.4	173.00	38.50	52.50	1,370
SV45E-1883	188,300	-	45,500	28.0	14.0	10.4	173.00	38.50	52.50	1,340
SV46E-2047	204,700	-	44,500	28.0	14.0	10.4	173.00	38.50	52.50	1,400
SV44E-2052	205,200	-	45,650	28.0	14.0	10.4	173.00	38.50	52.50	1,469
SV45E-2274	227,400	-	43,600	28.0	14.0	10.4	173.00	38.50	52.50	1,540
SV46E-2472	247,200	-	42,700	28.0	14.0	10.4	173.00	38.50	52.50	1,600

Capacity Ratings are based on sensible heat removal with a TEV fed, medium frosted coil when:

- Fan motor heat is not included in ratings - add 4000 BTUH per fan to room load for SM units, or 6600 BTUH per fan to room load for SV units.
- Derate 12% for 50 Hertz (0.88 multiplier) or increase TD to compensate for lower fan RPM.

Insulated drain pan standard on EDL models. Four fan SM/SV for low temperature requires two TEVs.

SM/SV Series Product Coolers

Hot Gas Defrost High Profile

LOW TEMPERATURE										
MODEL	CAP. (BTUH) @ 10° TD		AIR FLOW (CFM)	FAN MOTOR AMPS			DIMENSIONS (IN)			SHIPPING WGT. (LBS)
	-20° SST	+20° SST		208-230/3	460/3	575/3	L	W	H	
SM14()-384	38,400	40,300	9,690	4.0	2.0	1.5	77.00	38.50	40.50	440
SM15()-426	42,600	44,700	9,250	4.0	2.0	1.5	77.00	38.50	40.50	450
SM16()-440	44,000	46,300	8,810	4.0	2.0	1.5	77.00	38.50	40.50	470
SM14()-501	50,100	52,600	9,330	4.0	2.0	1.5	77.00	38.50	40.50	495
SM15()-556	55,600	58,400	8,900	4.0	2.0	1.5	77.00	38.50	40.50	505
SM16()-574	57,400	60,400	8,400	4.0	2.0	1.5	77.00	38.50	40.50	530
SM24()-759	75,900	79,700	19,380	8.0	4.0	2.9	134.25	38.50	40.50	836
SM25()-842	84,200	88,400	18,500	8.0	4.0	2.9	134.25	38.50	40.50	874
SM26()-869	86,900	91,500	17,600	8.0	4.0	2.9	134.25	38.50	40.50	912
SM24()-989	98,900	103,800	18,400	8.0	4.0	2.9	134.25	38.50	40.50	860
SM25()-1097	109,700	115,200	17,600	8.0	4.0	2.9	134.25	38.50	40.50	900
SM26()-1132	113,200	119,200	16,800	8.0	4.0	2.9	134.25	38.50	40.50	920
SM34()-1070	107,000	112,300	28,600	12.0	6.0	4.4	134.25	38.50	51.00	1,030
SM35()-1186	118,600	124,500	27,300	12.0	6.0	4.4	134.25	38.50	51.00	1,050
SM36()-1225	122,500	128,900	24,900	12.0	6.0	4.4	134.25	38.50	51.00	1,060
SM34()-1393	139,300	146,300	27,400	12.0	6.0	4.4	134.25	38.50	51.00	1,195
SM35()-1544	154,400	162,100	26,100	12.0	6.0	4.4	134.25	38.50	51.00	1,215
SM36()-1594	159,400	167,800	25,800	12.0	6.0	4.4	134.25	38.50	51.00	1,240
SM44()-1465	146,500	167,000	38,130	16.0	8.0	5.8	173.00	38.50	52.50	1,370
SM45()-1523	152,300	173,600	36,400	16.0	8.0	5.8	173.00	38.50	52.50	1,340
SM46()-1754	175,400	184,600	33,200	16.0	8.0	5.8	173.00	38.50	52.50	1,400
SM44()-1769	176,900	201,800	36,530	16.0	8.0	5.8	173.00	38.50	52.50	1,469
SM45()-1985	198,500	226,300	34,800	16.0	8.0	5.8	173.00	38.50	52.50	1,540
SM46()-2307	230,700	242,800	32,530	16.0	8.0	5.8	173.00	38.50	52.50	1,600

NOTE: *Available Types of Defrost: (P) KGE - 2 Pipe Kool Gas with Electric Pan, (K) KGG - 2 Pipe Kool Gas with Kool Gas Pan, (H) HGE - 3 Pipe Hot Gas with Electric Pan, (G) HGG - 3 Pipe Hot Gas with Hot Gas Pan.

NOTE: 4 Fans SM/SV for low temp requires 2 TEVs.

SM/SV Series Product Coolers

Electric Defrost Heater Data

COIL ONLY - D						
MODEL	230/3*		460/3		575/3	
	AMPS	KW	AMPS	KW	AMPS	KW
1 FAN – 384, 426, 440	17.0	6.8	8.5	6.8	6.8	6.8
1 FAN – 501, 556, 574	22.6	9.0	11.3	9.0	9.1	9.0
2 FAN – 759, 842, 869, 989, 1097, 1132	42.2	16.8	21.1	16.8	16.9	16.8
3 FAN – 1070, 1186, 1225	42.2	16.8	21.1	16.8	16.9	16.8
3 FAN – 1393, 1544, 1594	1@42.2 1@10.6	1@16.8 1@4.2	26.4	21.0	21.1	21.0
4 FAN – 1465, 1523, 1754	1@40.7 1@13.5	1@16.8 1@5.4	27.1	21.6	21.7	21.6
4 FAN – 1769, 1985, 2307	1@40.7 1@27.1	1@16.2 1@10.8	33.9	27.0	27.1	27.0

NOTE: Electric Defrost data shown as one circuit AMP draw, unless shown with two circuits (1@ and 1@) or three circuits (2@ and 1@) in the same space.

COIL AND PAN - E						
MODEL	230/3*		460/3		575/3	
	AMPS	KW	AMPS	KW	AMPS	KW
1 FAN – 384, 426, 440, 501, 556, 574	34.7	13.8	17.3	13.8	13.9	13.8
1 FAN – 422, 468, 550, 611, 664						
2 FAN – 759, 842, 869, 989, 1097, 1132	1@42.2	1@16.8	32.0	25.5	25.6	25.5
2 FAN – 834, 926, 1005, 1088, 1206, 1311	1@21.9	1@8.7				
3 FAN – 1070, 1186, 1225, 1177, 1304, 1418	1@42.2	1@16.8	37.6	29.7	29.8	29.7
3 FAN – 1393, 1544, 1594, 1530, 1698, 1843	1@32.5	1@12.9				
4 FAN – 1465, 1523, 1754, 1699, 1883, 2047	2@40.7	2@16.2	47.8	38.1	38.3	38.1
4 FAN – 1769, 1985, 2307, 2052, 2274, 2472	1@14.3	1@5.7				

NOTE: Electric Defrost data shown as one circuit AMP draw, unless shown with two circuits (1@ and 1@) or three circuits (2@ and 1@) in the same space.

PAN ONLY - H AND P						
MODEL	230/3*		460/3		575/3	
	AMPS	KW	AMPS	KW	AMPS	KW
1 FAN – 384, 426, 440, 501, 556, 574, 550, 611, 664	6.4	2.6	3.2	2.6	2.6	2.6
2 FAN – 759, 842, 869, 989, 1097, 1132, 834, 926, 1005, 1088, 1206, 1311	11.3	4.5	5.6	4.5	4.5	4.5
3 FAN – 1070, 1186, 1225, 1177, 1304, 1418 1393, 1544, 1594, 1530, 1698, 1843	11.3	4.5	5.6	4.5	4.5	4.5
4 FAN – 1465, 1523, 1754, 1699, 1883, 2047 1769, 1985, 2307, 2052, 2274, 2472	12.8	5.1	6.4	5.1	5.1	5.1

NOTE: Electric Defrost data shown as one circuit AMP draw, unless shown with two circuits (1@ and 1@) or three circuits (2@ and 1@) in the same space.

SM/SV Series Product Coolers

Installation Data

SM - MEDIUM TEMPERATURE ROOM AIR DEFROST

4 FINS PER INCH			6 FINS PER INCH			7 FINS PER INCH					
MODEL	10°F TD @ +20°F SST		REFRIG. CHARGE (LBS)	MODEL	10°F TD @ +20°F SST		REFRIG. CHARGE (LBS)	MODEL	10°F TD @ +20°F SST		REFRIG. CHARGE (LBS)
	SUCT.	ODS			SUCT.	ODS			SUCT.	ODS	
SM14*-314	1.375		10	SM16*-378	1.375		10	SM17*-410	1.375		10
SM14*-403	1.625		13	SM16*-463	1.625		13	SM17*-503	1.625		13
SM14*-469	1.625		16	SM16*-538	1.625		16	SM17*-585	1.625		16
SM14*-526	2.125		19	SM16*-604	2.125		19	SM17*-657	2.125		19
SM24*-619	2.125		18	SM26*-746	2.125		18	SM27*-811	2.125		18
SM24*-797	2.125		24	SM26*-915	2.125		24	SM27*-995	2.125		24
SM24*-882	2.625		30	SM26*-1063	2.625		30	SM27*-1155	2.625		30
SM24*-1038	2.625		36	SM26*-1192	2.625		36	SM27*-1296	2.625		36
SM34*-1123	2.625		33	SM36*-1289	2.625		33	SM37*-1402	2.625		33
SM34*-1243	2.625		40	SM36*-1498	2.625		40	SM37*-1628	2.625		40
SM34*-1463	2.625		48	SM36*-167A	2.625		48	SM37*-1824	2.625		48
SM44*-1532	2.625		42	SM46*-1846	2.625		42	SM47*-1920	2.625		42
SM44*-1829	2.625		52	SM46*-2204	2.625		52	SM47*-2281	2.625		52
SM44*-2015	2.625		62	SM46*-2428	2.625		62	SM47*-2581	2.625		62

* A, B, or R.

SM - LOW TEMPERATURE ROOM ELECTRIC OR HOT GAS DEFROST

4 FINS PER INCH				5 FINS PER INCH				6 FINS PER INCH			
MODEL	10°F TD @ +20°F SST		REFRIG. CHARGE (LBS)	MODEL	10°F TD @ +20°F SST		REFRIG. CHARGE (LBS)	MODEL	10°F TD @ +20°F SST		REFRIG. CHARGE (LBS)
	SUCT.	ODS [†]			SUCT.	ODS [†]			SUCT.	ODS [†]	
SM14**-384	1.625	0.500	13	SM15**-426	1.625	0.500	13	SM16**-440	1.625	0.500	13
SM14**-501	2.125	0.875	19	SM15**-556	2.125	0.875	19	SM16**-574	2.125	0.875	19
SM24**-759	2.125	0.875	24	SM25**-842	2.125	0.875	24	SM26**-869	2.125	0.875	24
SM24**-989	2.625	0.875	36	SM25**-1097	2.625	0.875	36	SM26**-1132	2.625	0.875	36
SM34**-1070	2.625	0.875	33	SM35**-1186	2.625	0.875	33	SM36**-1225	2.625	0.875	33
SM34**-1393	2.625	1.125	48	SM35**-1544	2.625	1.125	48	SM36**-1594	2.625	1.125	48
SM44**-1465	2 x 2.125	2 x 0.875	47	SM45**-1523	2 x 2.125	2 x 0.875	47	SM46**-1754	2 x 2.125	2 x 0.875	47
SM44**-1769	2 x 2.125	2 x 0.875	67	SM45**-1985	2 x 2.125	2 x 0.875	67	SM46**-2307	2 x 2.125	2 x 0.875	67

SV - LOW TEMPERATURE ROOM ELECTRIC OR HOT GAS DEFROST

4 FINS PER INCH				5 FINS PER INCH				6 FINS PER INCH			
MODEL	10°F TD @ -20°F SST		REFRIG. CHARGE (LBS)	MODEL	10°F TD @ -20°F SST		REFRIG. CHARGE (LBS)	MODEL	10°F TD @ -20°F SST		REFRIG. CHARGE (LBS)
	SUCT.	ODS [†]			SUCT.	ODS [†]			SUCT.	ODS [†]	
SV14E-422	2.125	0.875	13	SV15E-468	2.125	0.875	13	SV16E-664	2.125	0.875	13
SV14E-550	2.125	0.875	19	SV15E-611	2.125	0.875	19	SV16E-684	2.125	0.875	19
SV24E-834	2.125	0.875	24	SV15E-926	2.125	0.875	24	SV16E-1005	2.125	0.875	24
SV24E-1088	2.125	0.875	35	SV25E-1206	2.125	0.875	35	SV26E-1311	2.125	0.875	35
SV34E-1177	2.625	0.875	33	SV25E-1304	2.625	0.875	33	SV26E-1418	2.625	0.875	33
SV34E-1530	2.625	1.125	48	SV35E-1698	2.625	1.125	48	SV36E-1843	2.625	1.125	48
SV44E-1699	2 x 2.125	2 x 0.875	47	SV35E-1883	2 x 2.125	2 x 0.875	47	SV36E-2047	2 x 2.125	2 x 0.875	47
SV44E-2052	2 x 2.125	2 x 0.875	67	SV45E-2274	2 x 2.125	2 x 0.875	67	SV46E-2472	2 x 2.125	2 x 0.875	67

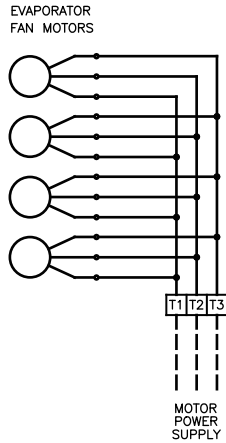
[†] "2x" indicates two connections per unit.

** B, D, E, G, H, K, P, or R.

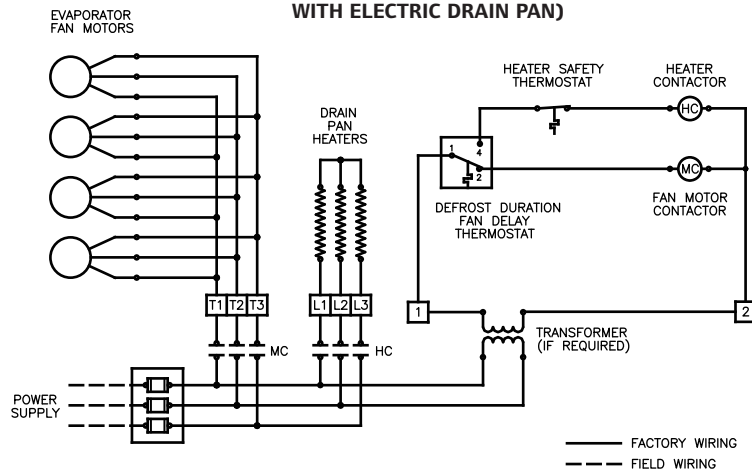
SM/SV Series Product Coolers

Wiring Diagrams

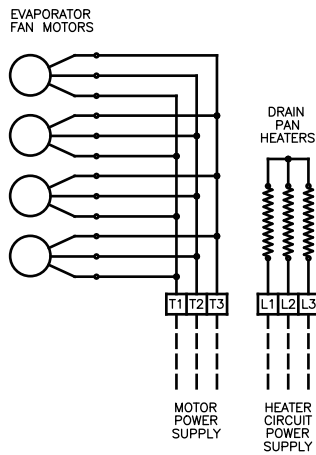
A, B, G, K, or R DEFROST



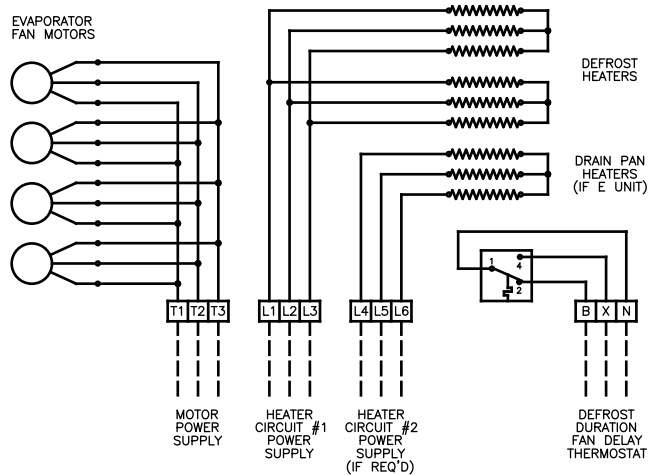
H DEFROST (THREE PIPE HOT GAS DEFROST WITH ELECTRIC DRAIN PAN)



P DEFROST (TWO PIPE KOOLGAS DEFROST WITH ELECTRIC DRAIN PAN)



D or E DEFROST (ELECTRIC DEFROST)



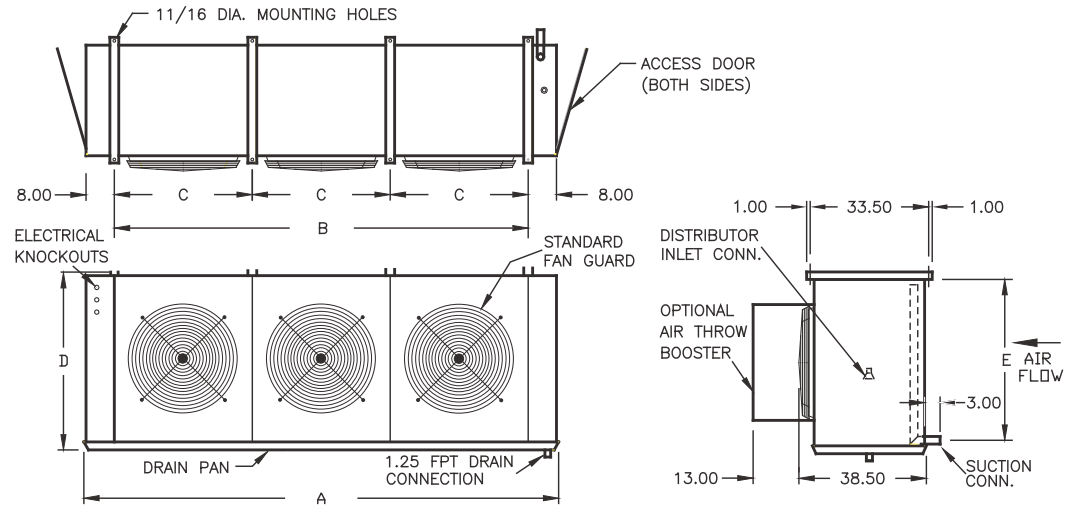
Common Replacement Parts

SM SERIES	
PART	PART #
MOTOR 230/460V	4410138
MOTOR 575V	4410180
FAN BLADE	4780320
FAN GUARD	4910218
AIR BOOSTER	4967623
DEFROST TERMINATION FAN DELAY T-STAT	4480147

SV SERIES	
PART	PART #
MOTOR 230/460V	4410139
MOTOR 575V	4410693
FAN BLADE	4780142
FAN GUARD	4910218
AIR BOOSTER	4916020
DEFROST TERMINATION FAN DELAY T-STAT	4480147

SM/SV Series Product Coolers

Dimensional Data



UNIT DIMENSIONS

SIZE	A	B	C	D	E
1 FAN	77.00	60.0	1@60.00	40.50	34.00
2 FAN	134.25	117.0	2@58.50	40.50	34.00
3 FAN	134.25	117.0	3@39.00	52.50	46.00
4 FAN	173.00	156.0	4@39.00	52.50	46.00

Note: Dimensions in inches.



Krack Corporation

1300 North Arlington Heights Rd., Suite 130
Itasca, IL 60143
Ph: 630.629.7500

krack.com